


PSR-SCP- 24DC/URM4/4X1/2X2/B

Order No.: 2981677

<http://catalog.phoenixcontact.net/phoenix/treeViewClick.do?UID=2981677>

Single-channel contact extension with TBUS interface, 4 N/O contacts, 1 N/C contact, 1 confirmation current path, undelayed, Cat. 4, PL e according to EN ISO 13849, pluggable screw terminal blocks, width: 22.5 mm



Commercial data	
EAN	 4 046356 081535
Pack	1 Pcs.
Customs tariff	85364900
Product key	106561
Catalog page information	Page 23 (IF-2011)

Product notes

WEEE/RoHS-compliant since:
03/30/2006

<http://www.download.phoenixcontact.com>
Please note that the data given here has been taken from the online catalog. For comprehensive information and data, please refer to the user documentation. The General Terms and Conditions of Use apply to Internet downloads.

Technical data

Input data

Nominal input voltage U_N	24 V DC
Input voltage range in reference to U_N	0.9 ... 1.1
Typical input current at U_N	42 mA

Typical response time	10 ms
Typical release time	10 ms
Recovery time	1 s

Output data

Contact type	4 enabling current paths
	1 signaling current path
	1 confirmation current path
Contact material	AgSnO ₂
Maximum switching voltage	250 V AC/DC
Minimum switching voltage	15 V AC/DC
Limiting continuous current	6 A (N/O contact)
	3 A (N/C contact)
Maximum inrush current	6 A (N/O contact)
	3 A (N/C contact)
Inrush current, minimum	25 mA
Sq. Total current	$72 \text{ A}^2 (I_{TH}^2 = I_1^2 + I_2^2 + I_3^2 + I_4^2)$
Interrupting rating (ohmic load) max.	144 W (24 V DC, $\tau = 0$ ms, N/C contact 61/62: 72 W)
	288 W (48 V DC, $\tau = 0$ ms, N/C contact 61/62: 144 W)
	77 W (110 V DC, $\tau = 0$ ms)
	88 W (220 V DC, $\tau = 0$ ms)
	1500 VA (250 V AC, $\tau = 0$ ms, N/C contact 61/62: 750 VA)
Maximum interrupting rating (inductive load)	48 W (24 V DC, $\tau = 40$ ms)
	40 MW (48 V DC, $\tau = 40$ ms)
	35 W (110 V DC, $\tau = 40$ ms)
	33 W (220 V DC, $\tau = 40$ ms)
Switching capacity min.	0.4 W
Output fuse	10 A gL/gG NEOZED (N/O contact)
	4 A gL/gG NEOZED (N/C contact)

General data

Width	22.5 mm
Height	99 mm
Depth	114.5 mm
Ambient temperature (operation)	-20 °C ... 55 °C
Ambient temperature (storage/transport)	-40 °C ... 70 °C

Relay type	Electromechanically forcibly guided, dust-proof relay.
Mechanical service life	Approx. 10^7 cycles
Mounting position	Any
Category according to EN 13849-1	4
Stop category	0
Name	Air and creepage distances between the power circuits
Standards/regulations	DIN EN 50178/VDE 0160
Rated surge voltage / insulation	4 kV / basic isolation (safe isolation, reinforced insulation and 6 kV between input circuit/N/C contacts and enabling current paths).
Rated insulation voltage	250 V
Pollution degree	2
Surge voltage category	III

Connection data

Conductor cross section solid min.	0.2 mm ²
Conductor cross section solid max.	2.5 mm ²
Conductor cross section stranded min.	0.2 mm ²
Conductor cross section stranded max.	2.5 mm ²
Conductor cross section AWG/kcmil min.	24
Conductor cross section AWG/kcmil max	12
Stripping length	7 mm
Screw thread	M3
Connection method	Screw connection

Certificates / Approvals

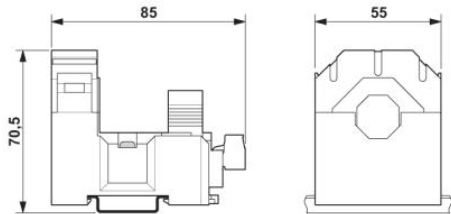
Certification BG, CUL Listed, GOST, TUEV-RH, UL Listed

Accessories

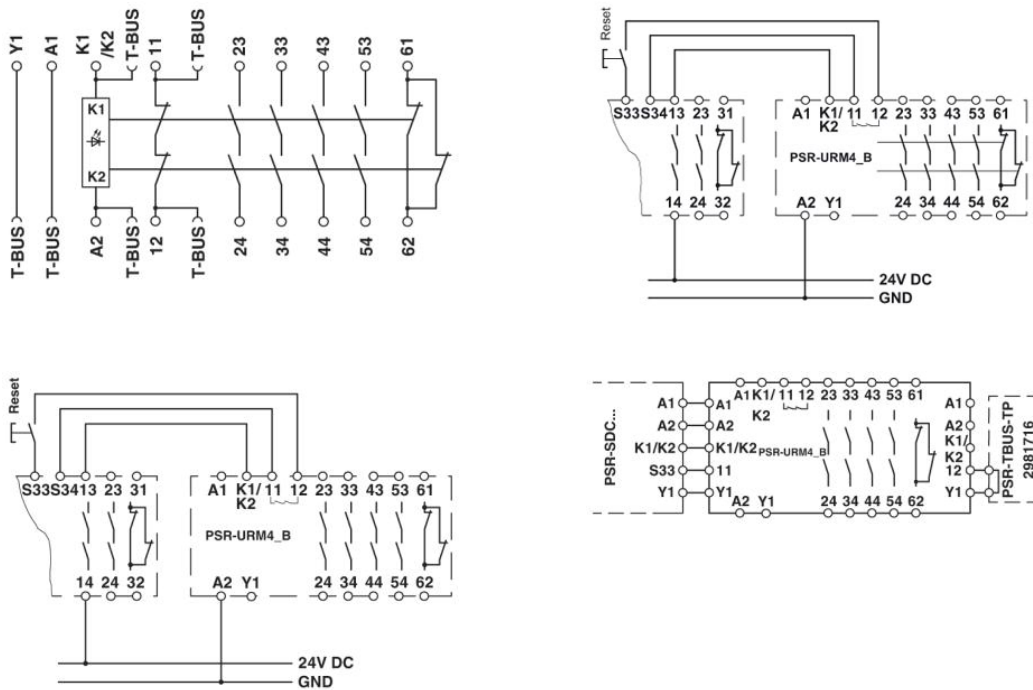
Item	Designation	Description
General		
2890425	PSR-TBUS	PSR-TBUS DIN rail connector, for supplying/controlling/monitoring (depending on the module)
2981716	PSR-TBUS-TP	PSR-TBUS-TP dummy plug

Drawings

Dimensioned drawing



Circuit diagram



Connection data incl. use groups





Address

Nanjing Phoenix Contact Co. Ltd.
No. 36 Phoenix Road - Jiangning Development Zone /
P.O. Box 236 Jiangning Nanjing
CN-211100 Nanjing, China
Phone +86/25-5212-1888
Fax +86/25-5212-1999 or 1555
<http://www.phoenixcontact.com.cn>



© 2012 Phoenix Contact
Technical modifications reserved;