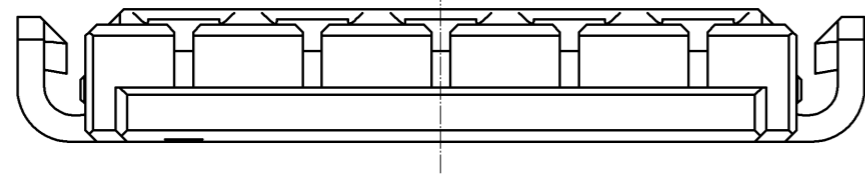
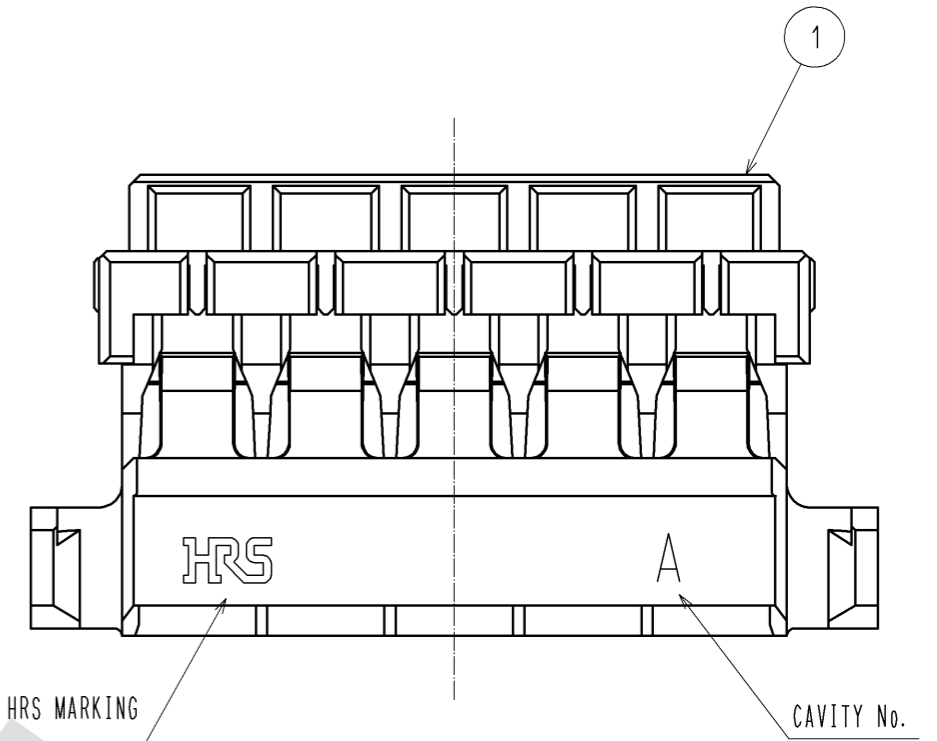
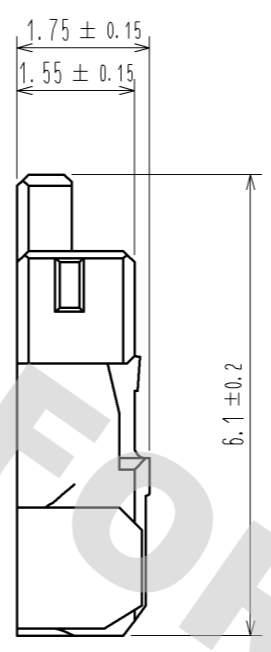
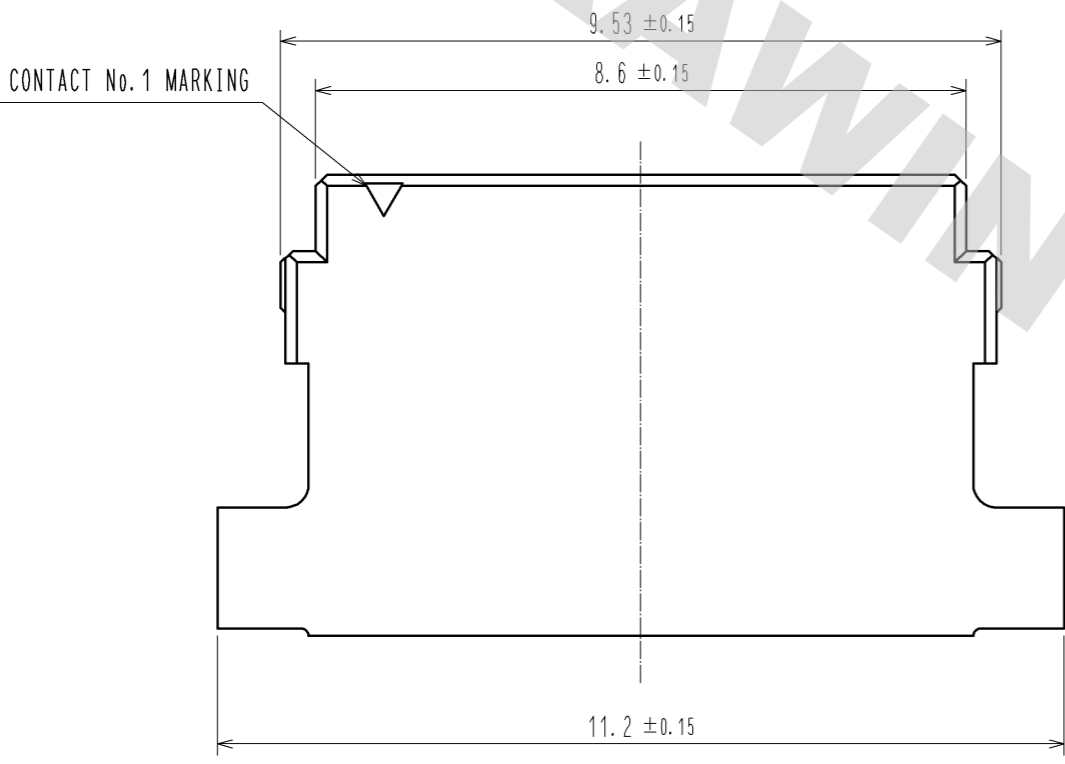
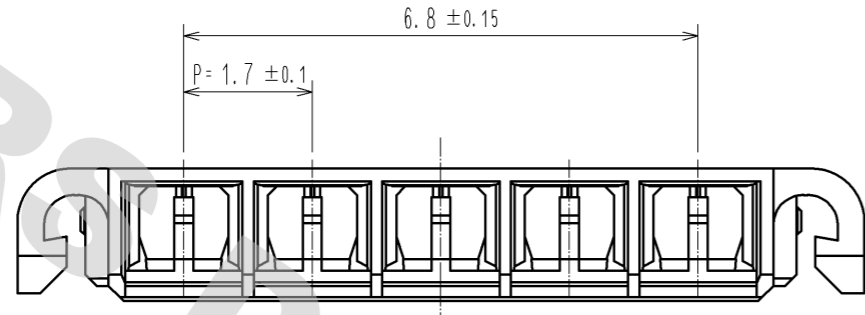


DRAWING FOR REFERENCE: This is subject to change without notice
12/05/2013



NO.	MATERIAL	FINISH . REMARKS	NO.	MATERIAL	FINISH . REMARKS		
1	LCP			UL94V-0. NATURAL			
UNITS	SCALE	COUNT	DESCRIPTION OF REVISIONS		DESIGNED	CHECKED	DATE
mm	10 : 1	△					
HIROSE ELECTRIC CO., LTD.			APPROVED : KI. AKIYAMA	13. 09. 17	DRAWING NO. EDC3-347308-00		
			CHECED : OM. MIYAMOTO	13. 09. 17	PART NO. DF65-5S-1.7C		
			DESIGNED : TT. OHSAKO	13. 09. 17	CODE NO. CL666-6002-0-00		
			DRAWN : TT. OHSAKO	13. 09. 17			