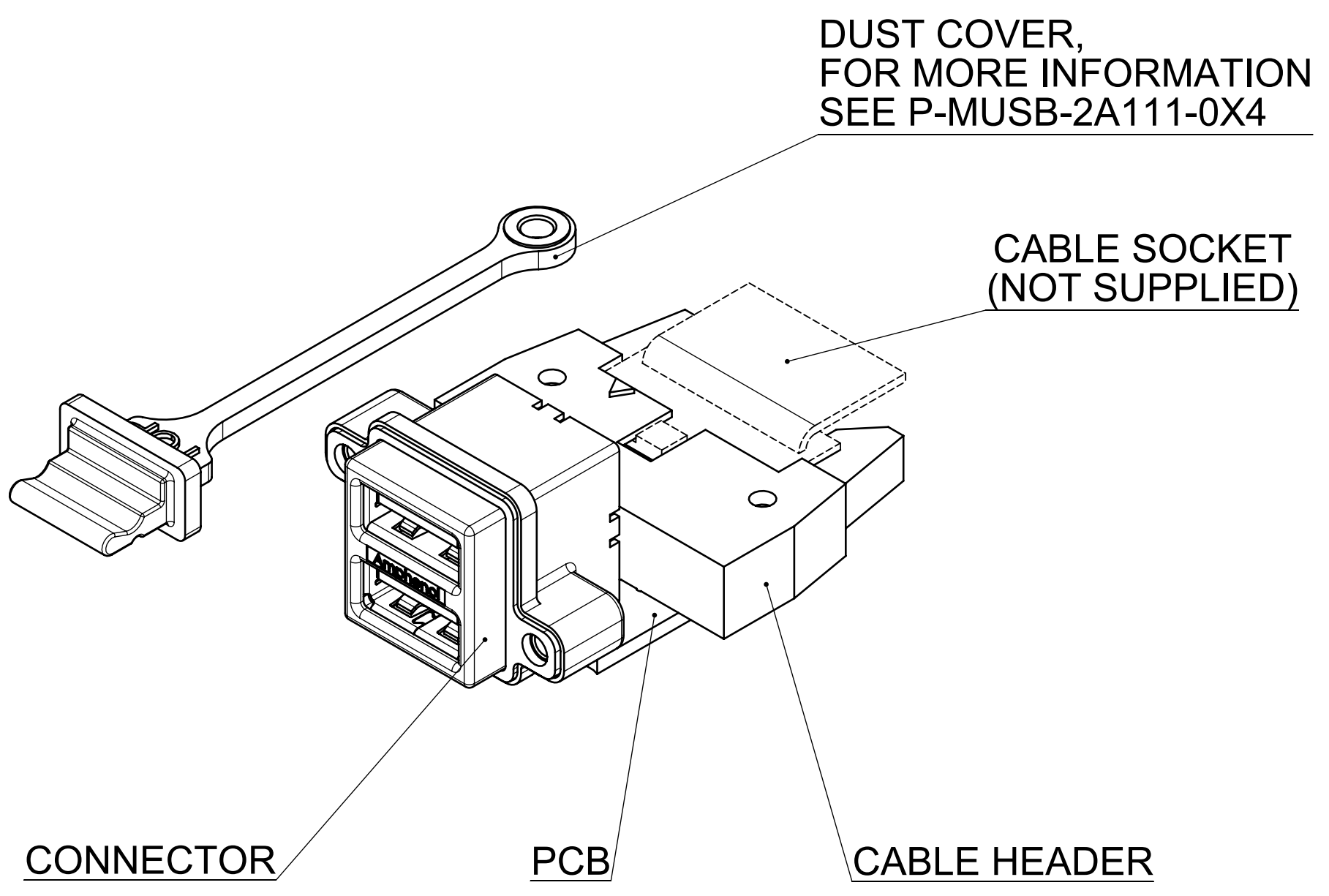
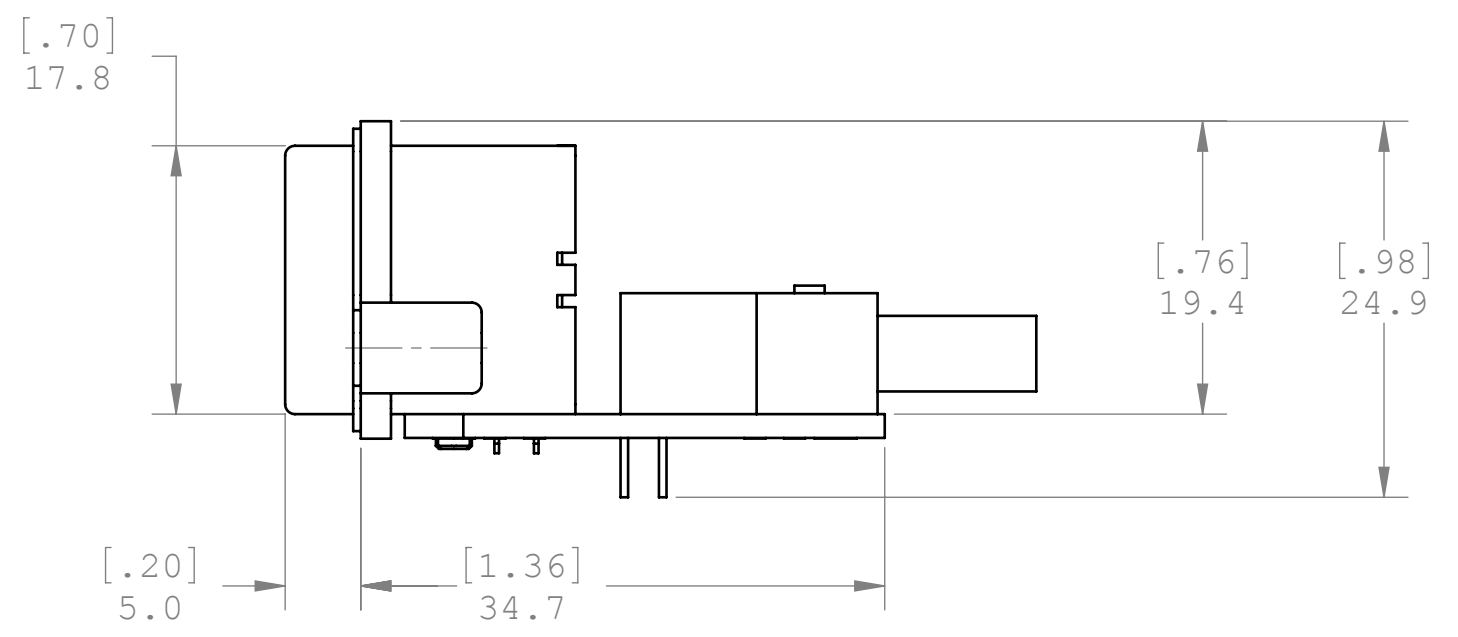
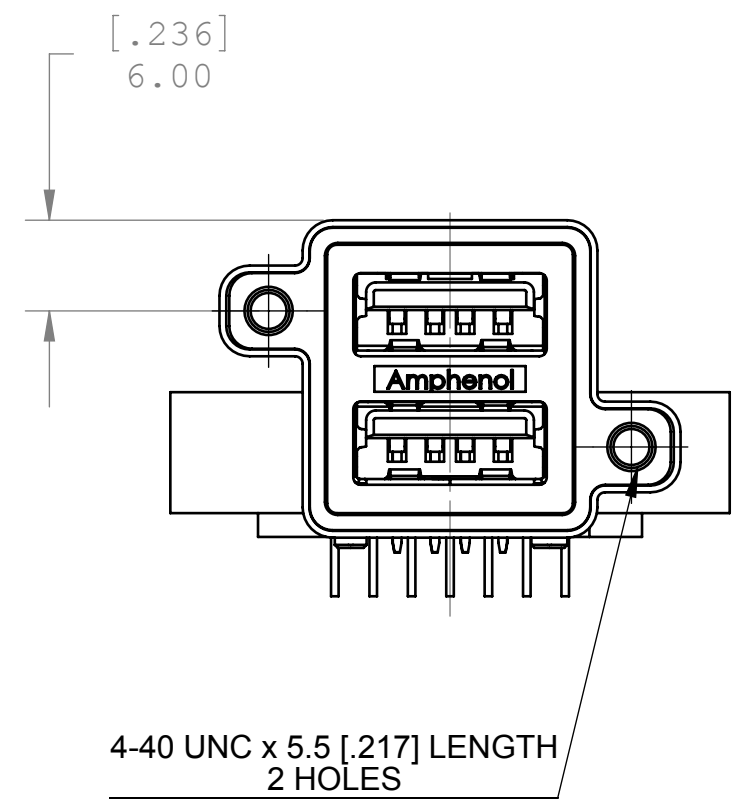
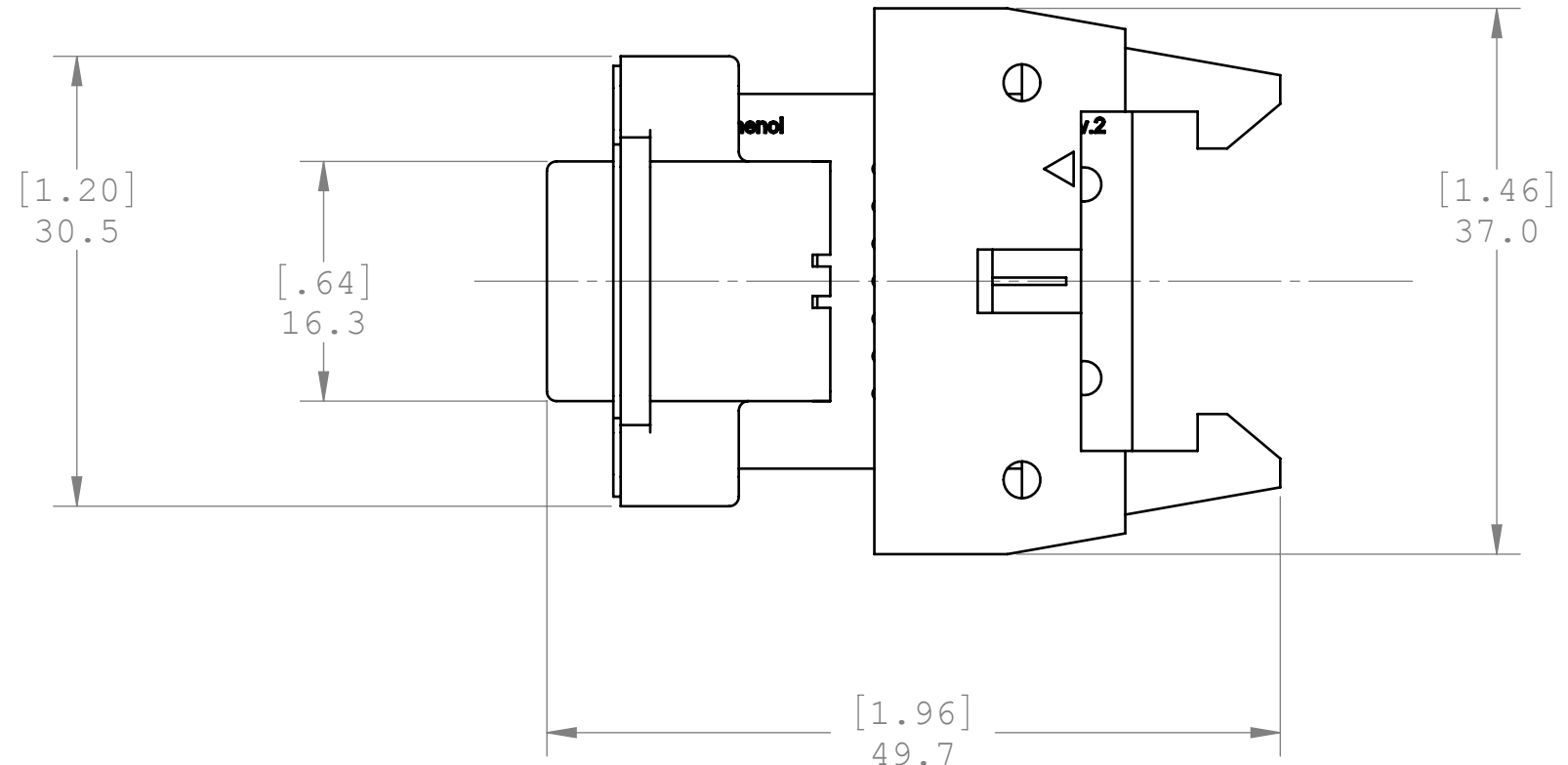


REV	DESCRIPT	DATE	APPRVD



- NOTES:
- COMPONENTS:
 - CONNECTOR: MUSB-C111-30, RECEPTACLE, TYPE A, 2 PORTS, 4 CONTACTS PER PORT.
 - CABLE TERMINATION: 14 POSITION IDS SOCKET AT 2.54 MM [0.100"] CENTERS (NOT SUPPLIED).
 - FEATURE: SEALED CONNECTOR IN THE MATED AND UNMATED CONDITIONS.
 - OPERATING TEMPERATURE: -40°C TO +85°C.
 - ENVIRONMENT PERFORMANCE: IP67.
 - ALL COMPONENTS AND MATERIALS USED FOR CONNECTOR AND PACKAGING ARE ROHS COMPLIANT PER EU DIRECTIVE 2002/95/EC AND AMENDMENTS.
 - PART NUMBER FOR ORDER:
 - MUSB-C211-30 - CONNECTOR WITH NO DUST COVER,
 - MUSB-C211-31 - CONNECTOR WITH GREY COLOR DUST COVERS,
 - MUSB-C211-35 - CONNECTOR WITH BLACK COLOR DUST COVERS.

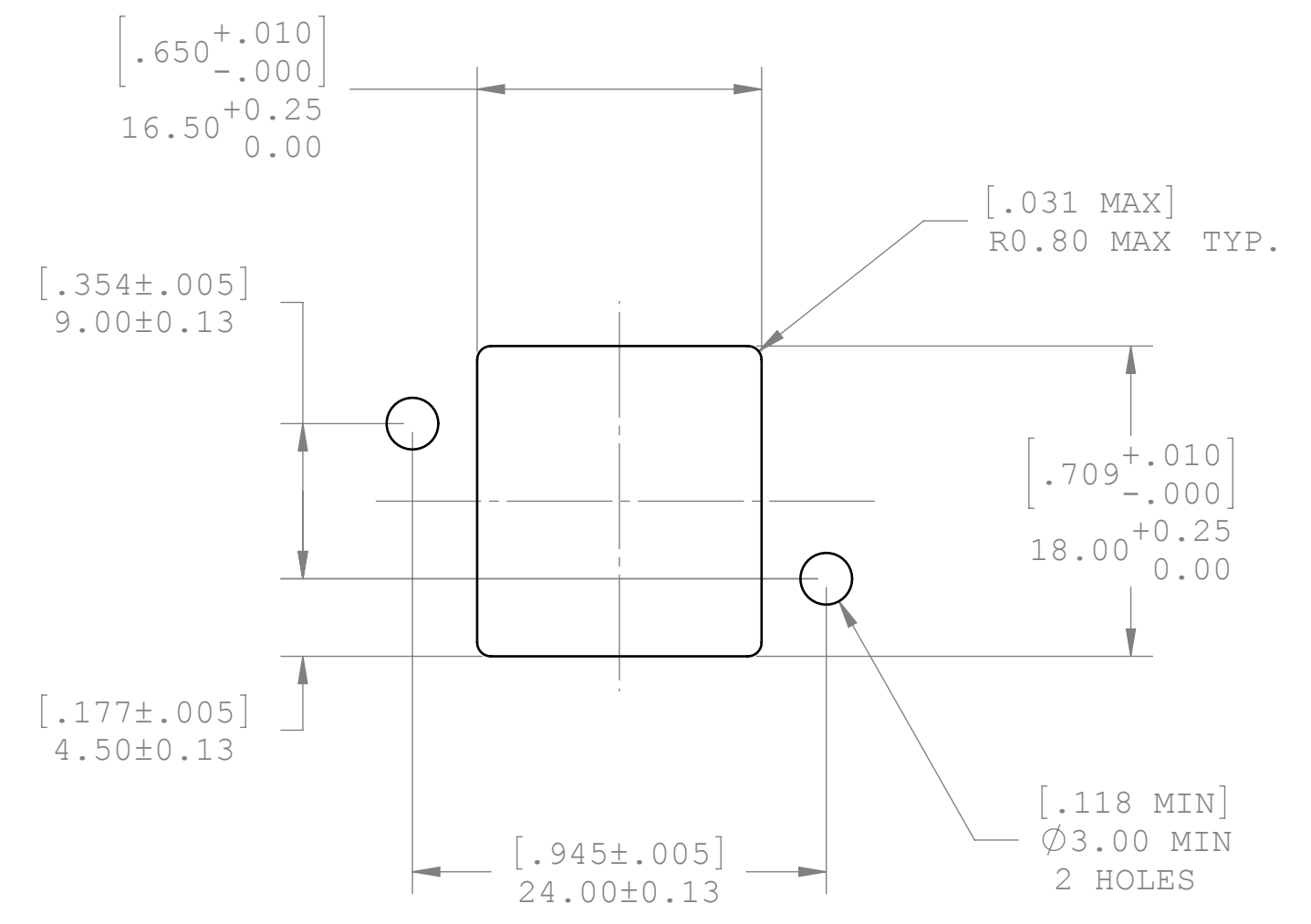
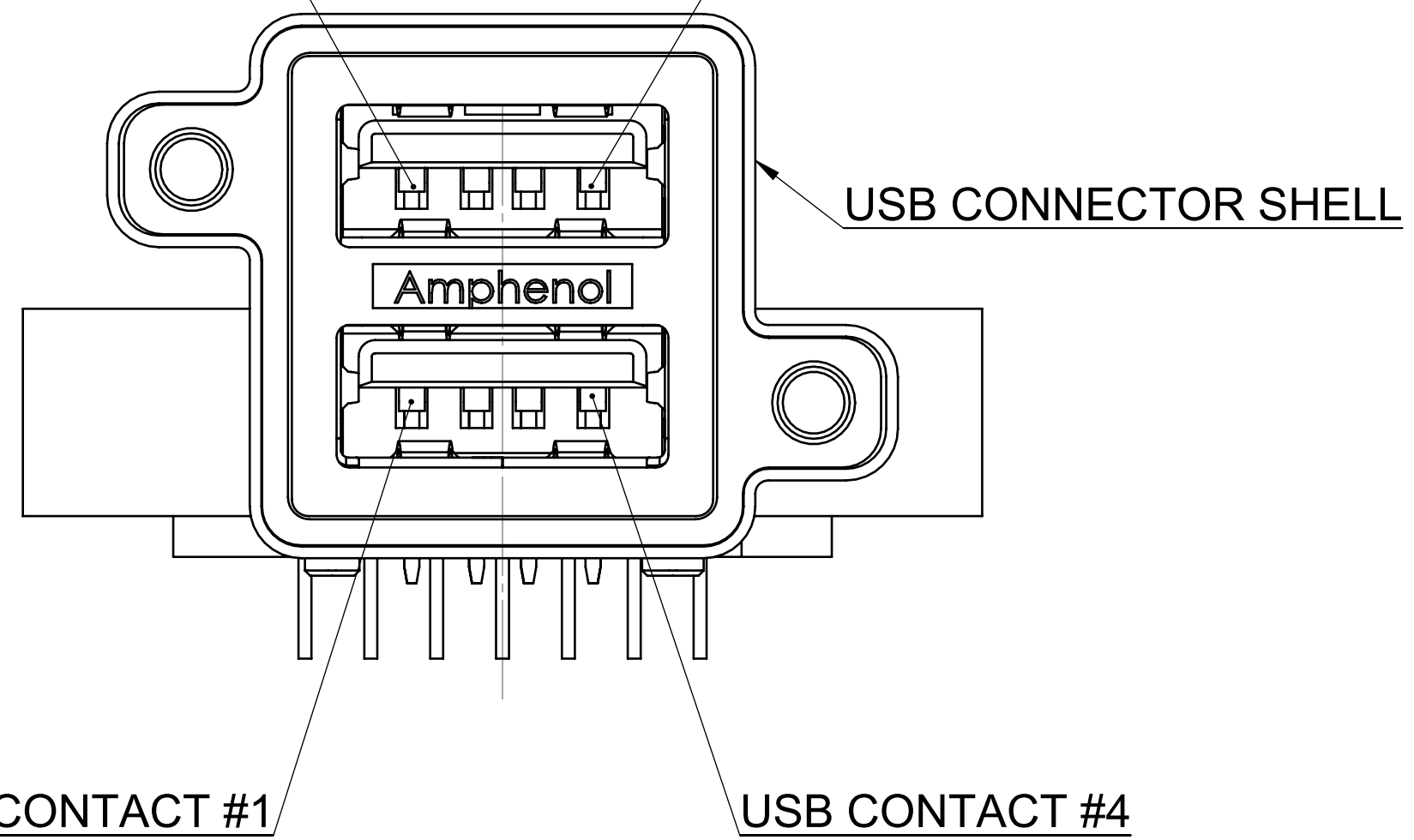


UNLESS OTHERWISE SPECIFIED DIMENSIONS ARE IN MILLIMETER TOLERANCES ARE:		APPROVALS	DATE	Amphenol Canada Corp.	
DECIMALS	ANGLES	DRAWN	MAR01/07		
.XX ± .10	± 1°	S.SEMENOV		TITLE MUSB CONNECTOR, TYPE A, DOUBLE, RECEPTACLE, WITH CABLE HEADER	
.X ± .25		DESIGNED	MAR01/07		
MATERIAL AND FINISH		CHECKED		SIZE	C
		QA APP'D		DWG. NO.	P-MUSB-C211-3X
REF.		IE APP'D		REV.	A
CODE IDENT. NO.		DWG APP'D	MAR01/07	SCALE	2:1
		A.GREEN		PROJECT	MUSB
				SHEET	1 OF 2

DO NOT SCALE DRAWING
 THIS DOCUMENT CONTAINS PROPRIETARY INFORMATION AND SUCH INFORMATION MAY NOT BE DISCLOSED TO OTHERS FOR ANY PURPOSE OR USED FOR MANUFACTURING PURPOSES WITHOUT PERMISSION FROM AMPHENOL CANADA CORP.

USB CONTACT #5

USB CONTACT #8



RECOMMENDED PANEL CUTOUT

MUSB TO CABLE HEADER PIN ASSIGNMENT

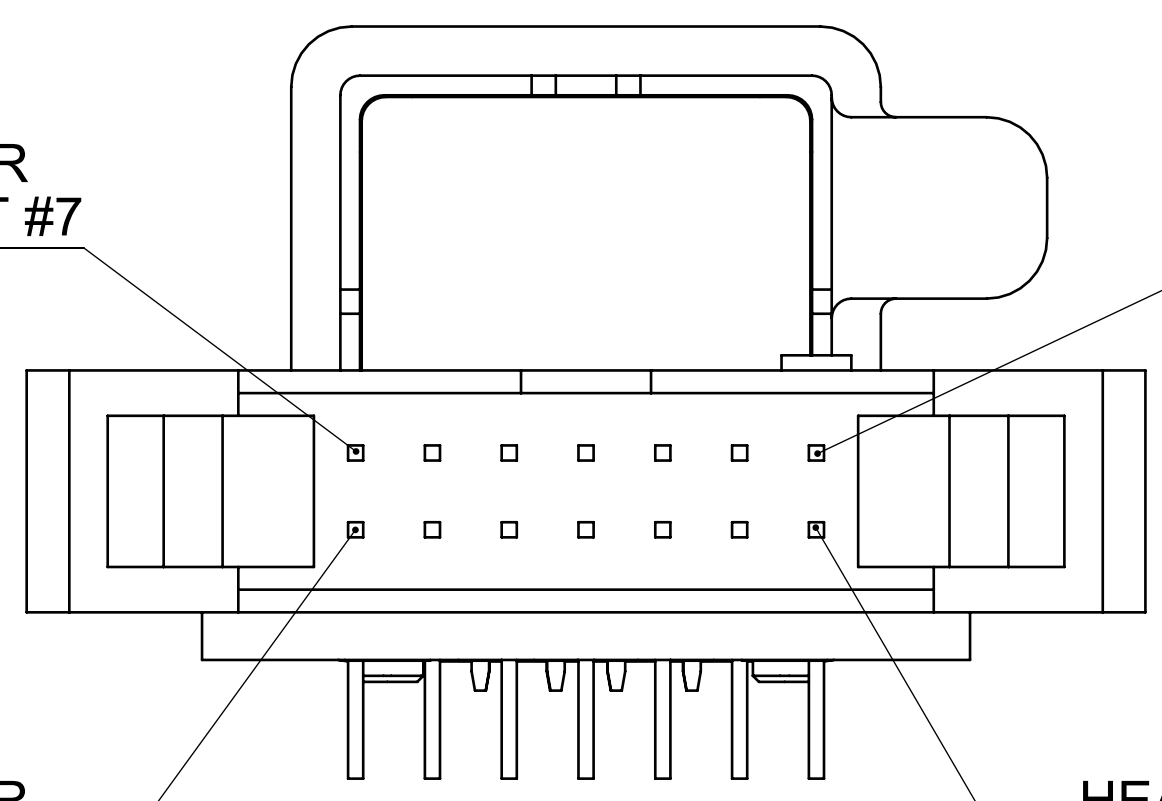
MUSB TO CABLE HEADER PIN ASSIGNMENT	
MUSB CONTACTS	CABLE HEADER CONTACTS
1	14
2	13
3	12
4	11
5	7
6	6
7	5
8	4
SHELL	1

HEADER CONTACT #7

HEADER CONTACT #1

HEADER CONTACT #14

HEADER CONTACT #9



UNLESS OTHERWISE SPECIFIED DIMENSIONS ARE IN MILLIMETER TOLERANCES ARE: DECIMALS .XX ±.10 .X ±.25 ANGLES ± 1°	APPROVALS	DATE	Amphenol Canada Corp.	
	DRAWN S.SEMENOV	MAR01/07		
MATERIAL AND FINISH	DESIGNED S.SEMENOV	MAR01/07	TITLE MUSB CONNECTOR, TYPE A, DOUBLE, RECEPTACLE, WITH CABLE HEADER	
	CHECKED			
REF.	QA APP'D		SIZE C	DWG. NO. P-MUSB-C211-3X
	IE APP'D		SCALE 1:0.333333MUSB	PROJECT MUSB
CODE IDENT. NO.	DWG APP'D A.GREEN	MAR01/07	SHEET 2 OF 2	REV. A