



**USB**  
2000mA



# Midget<sup>PLUS</sup> with Lightning Connector USB Car Charger

Dual charging while on the move!

The RS Midget<sup>PLUS</sup> with Lightning Connector is a handy USB charger for the car, motorbike, truck, camper and boat. Thanks to the integrated cable with Lightning Connector iOS devices can be connected to the charger. An additional USB port provides the opportunity to simultaneously charge a second USB device easily in the cigarette lighter socket (standard – 12V).



## Specifications

- USB charger for car, motorbike, truck, camper and boat
- Easy charging in the cigarette lighter socket
- Coiled cable with Lightning Connector included
- 1 additional USB port
- Input: 10–16V DC
- Output voltage: 5V DC
- Output current: 2A (2 x 1A)

## Weight

USB Charger incl. cable: 76 g

Retail packaging: 25 g

## Dimensions

USB Charger: L 30 mm W 30 mm H 54.5 mm

Cable length (coiled cable): 600 mm – 1219 mm

Retail packaging: L 225 mm W 100 mm H 35 mm

Standard colour: white



Made for



**iPod**



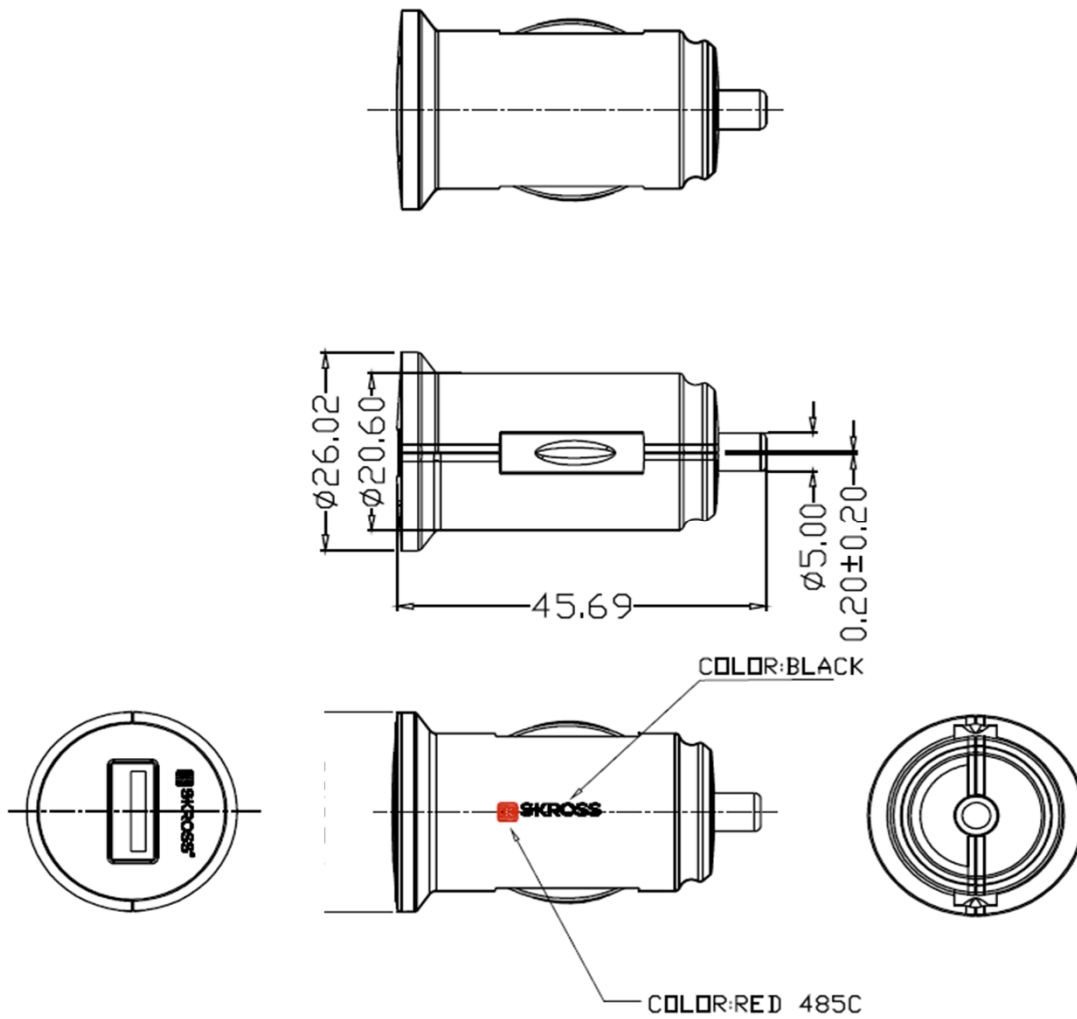
**iPhone**

Made for

**iPhone 5**

iPod touch (5th generation)  
iPod nano (7th generation)





Dimension		Tolerance					
		A	B	C	✓	D	
linear	$\leq 3$	$\pm 0.05$	$\pm 0.10$	$\pm 0.20$		$\pm 0.50$	
	$> 3-6$	$\pm 0.05$	$\pm 0.10$	$\pm 0.30$		$\pm 0.50$	
	$> 6-30$	$\pm 0.10$	$\pm 0.20$	$\pm 0.50$		$\pm 1.0$	
	$> 30-120$	$\pm 0.15$	$\pm 0.30$	$\pm 0.80$		$\pm 1.5$	
	$> 120-400$	$\pm 0.20$	$\pm 0.50$	$\pm 1.2$		$\pm 2.5$	
radlur/ chamer	$\leq 3$	$\pm 0.20$	$\pm 0.20$	$\pm 0.40$		$\pm 0.40$	
	$> 3-6$	$\pm 0.5$	$\pm 0.5$	$\pm 1.0$		$\pm 1.0$	
	$> 6-30$	$\pm 1.0$	$\pm 1.0$	$\pm 2.0$		$\pm 2.0$	
Angle (the shorter edge)	$\leq 10$	$\pm 1^\circ$	$\pm 1^\circ$	$\pm 1^\circ 30'$		$\pm 3^\circ$	
	$> 10-50$	$\pm 30'$	$\pm 30'$	$\pm 1^\circ$		$\pm 2^\circ$	
	$> 50-120$	$\pm 20'$	$\pm 20'$	$\pm 30'$		$\pm 1^\circ$	

General tolerance unless otherwise noted, please refer to 3D for unshow dimensions