



- integrated multi-LED, extra bright in device head
- high calotte

(Minor differences between the printed image and the original product may exist!)

Ordering details

Product type description	NMERT
Article number	1163597
EAN code	4250116200511

Approval

Approval



Global Properties

Product name	NME - Illuminated signal
Standards	IEC/EN 60947-1, EN 60947-5-1
Compliance with the Directives (Y/N)	Yes
Suitable for safety functions (Y/N)	No
Mounting	mounting flange ELM
Mounting position	arbitrarily

Materials

- Material of the dome
- Material of the front ring

PA (12)
 ABS, Chromium-plated
 LED - Illuminated signal - Front plate
 mounting
 round, high calotte

Design

Form

Color

- Colour of the dome
- Colour of the front ring

■ red
 ■ Silver

Weight

Can be illuminated (Y/N)

50 g
 Yes

Mechanical data

mounting flange available (Y/N)

Yes

Front plate thickness

- min. front plate thickness
- max. front plate thickness

1.5 mm
 6 mm

Tightening torque for fixing screws

0,6 Nm

Ambient conditions

Ambient temperature

- Min. environmental temperature
- Max. environmental temperature

-25 °C
 +80 °C

Storage and transport temperature

- Min. Storage and transport temperature
- Max. Storage and transport temperature

-
 -

Fully insulated (Y/N)

Yes

Sealing type

Protection type IP

membrane, lip seal, Form seals
 IP67, IP69K

LED switching conditions display

With integrated LED (Y/N)

- for 24 VAC/DC

Yes

Dimensions

Dimensions

- Height
- Diameter total Ø

44.5 mm

Height of the dome

10.4 mm

Diameter of the front ring

44.5 mm

Diameter of the dome

22 mm

Hole, diameter

22.3mm + 0,4mm

Spacing

50 x 50 mm

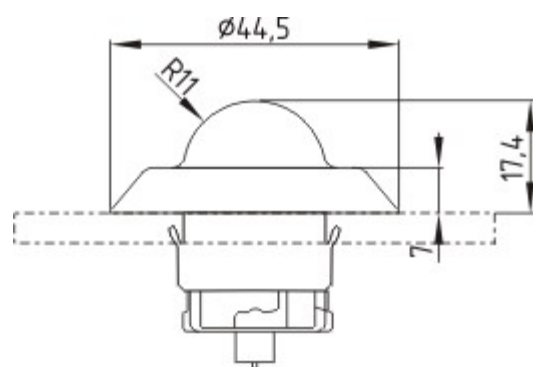
notice

for other input voltages, a special light element must be used

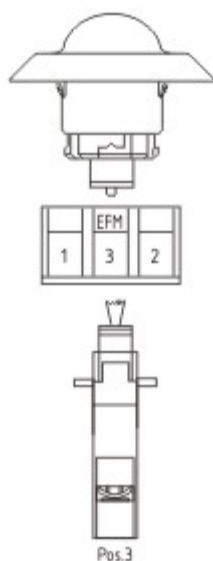
Included in delivery

Mounting flange ELM (1014387) is included in delivery

Images



Dimensional drawing (basic component)



Application

System components

Accessories

1014387 - ELM



Light terminal block



1006534 - ELE230

- not suitable for operation with filament lamp or glow lamp



1006532 - ELE48

- not suitable for operation with filament lamp or glow lamp



1006529 - ELE

- Print with LED symbol



1167368 - ELEK

- Print with LED symbol