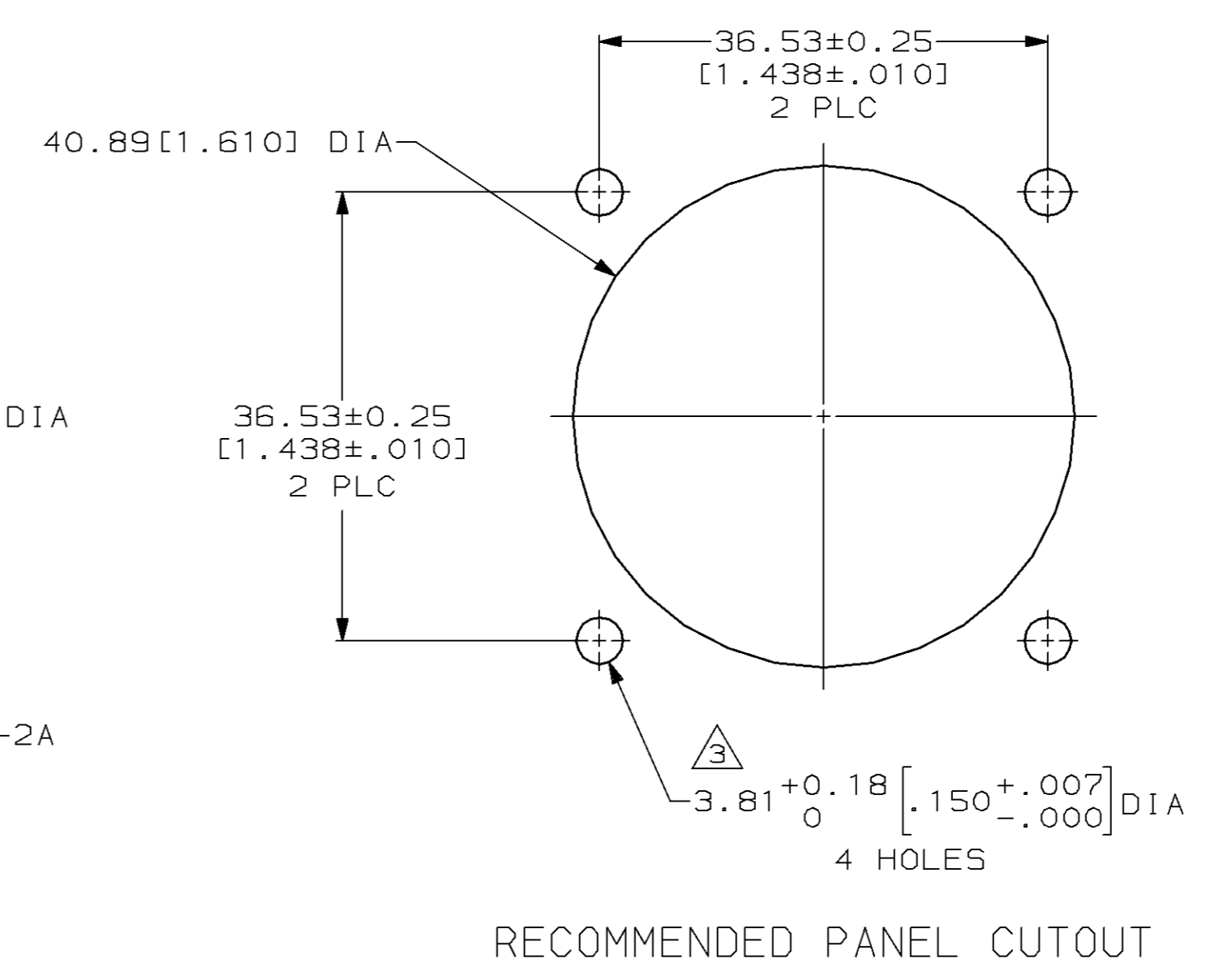
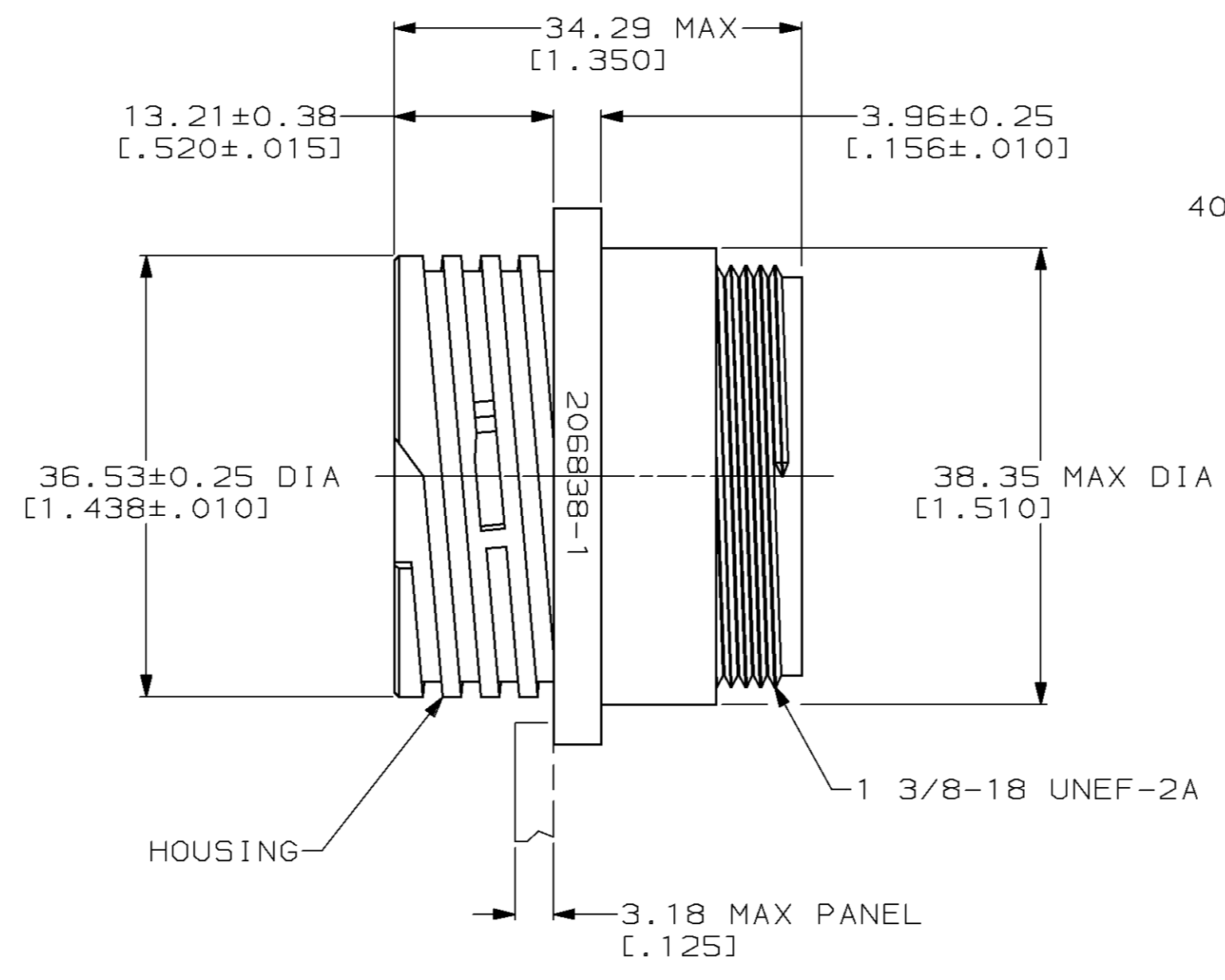
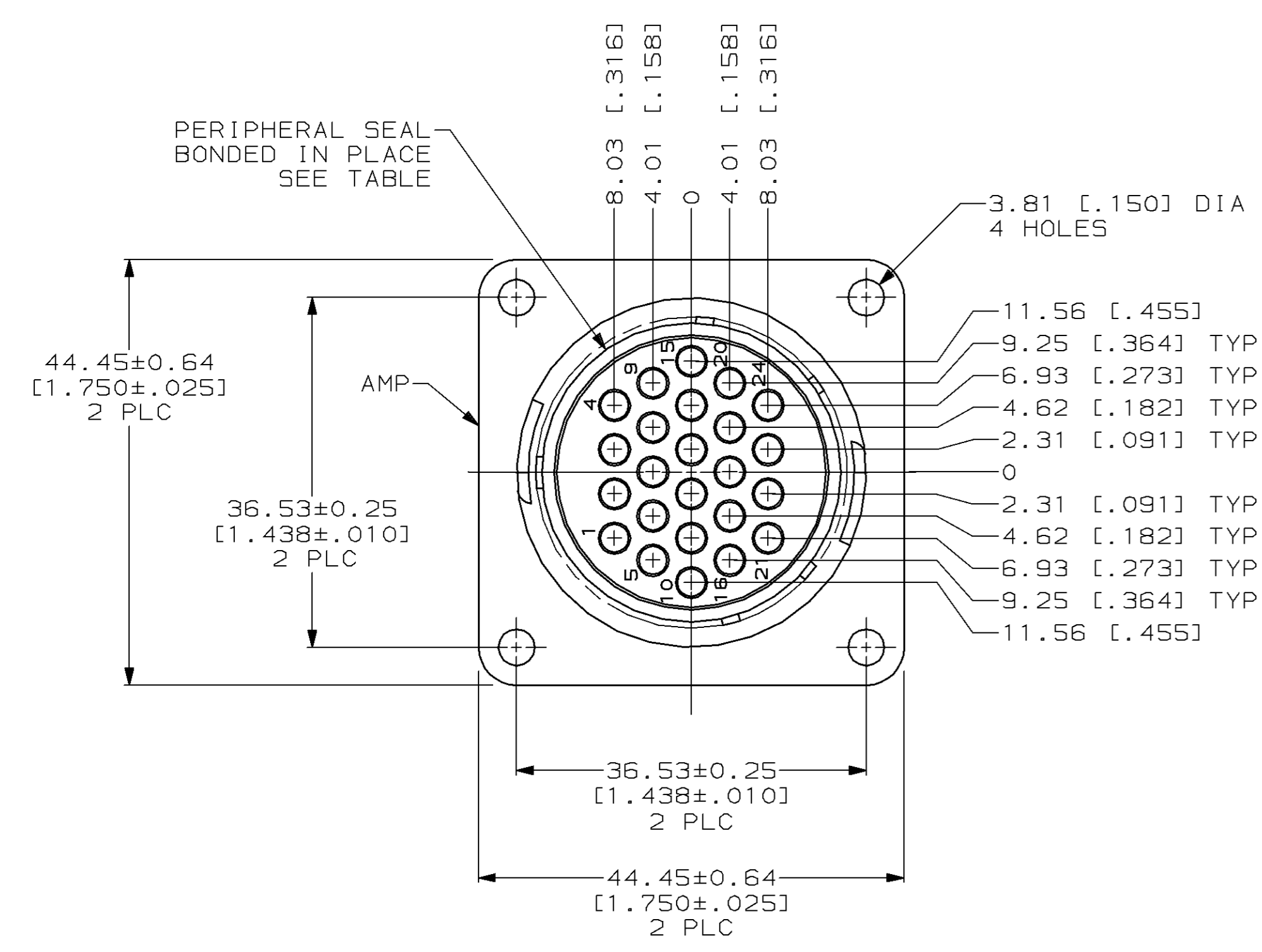
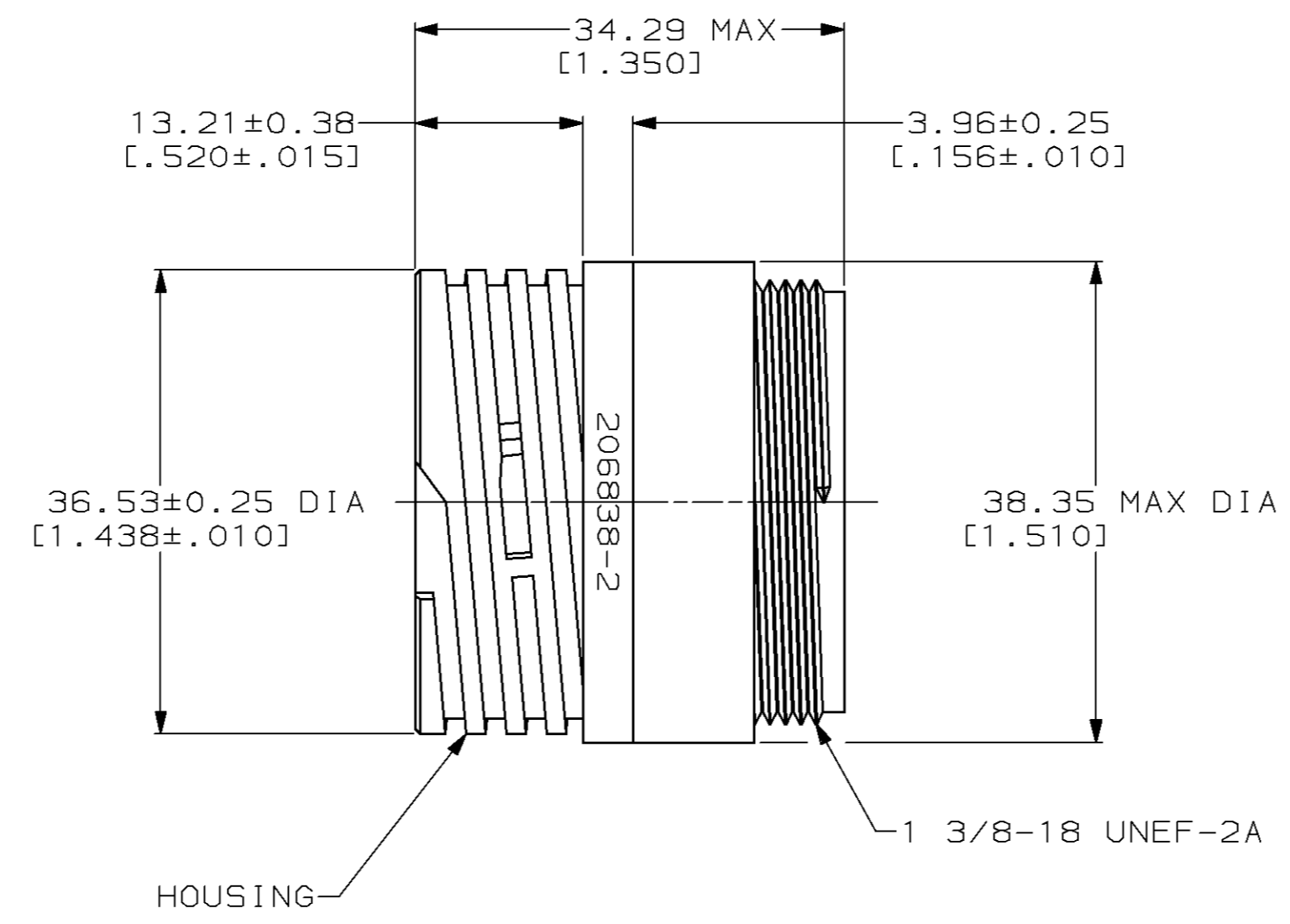
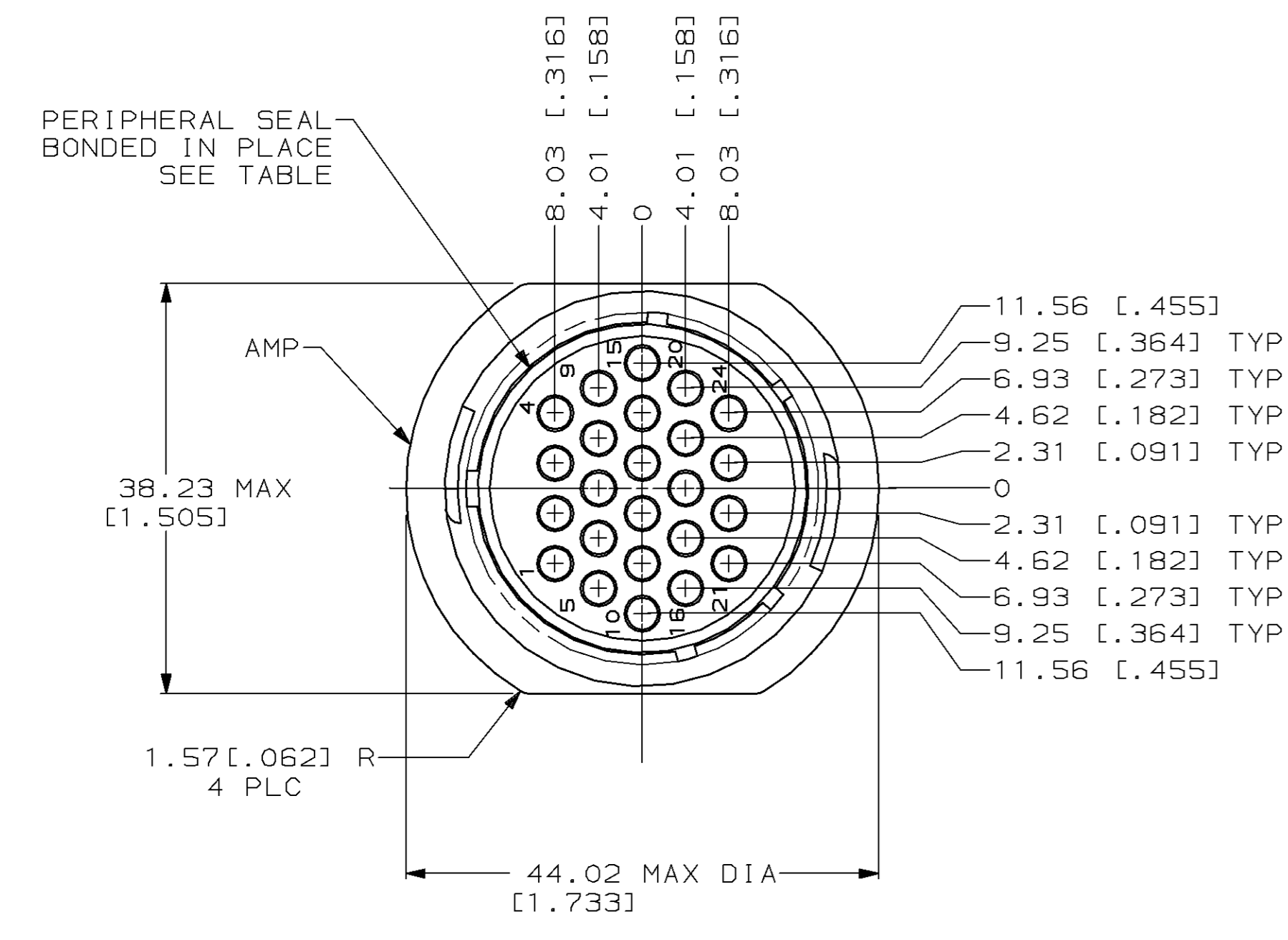


MOD		LOC		DIST		P		F		ZONE		LTR		REVISIONS		DATE	APPD
4	BD			35										H	REDRAWN ON CAD & ADDED -5 NPR 4832	07/08/93	-
														J	REACTIVATE -4 PER EC 0020-1075-94	12/05/94	AF



DETAIL A



DETAIL B

1. CAVITY IDENTIFICATION ON FRONT AND REAR FACE.
2. WILL ACCEPT (24) MULTIMATE PIN CONTACTS.
3. NO 4 FASTENER RECOMMENDED FOR MOUNTING.
4. MAXIMUM INSULATION NOT TO EXCEED .150 DIA.

SMALL PACK	NO	A	206838-5
STANDARD	YES	B	206838-4
STANDARD	YES	A	206838-3
STANDARD	NO	B	206838-2
STANDARD	NO	A	206838-1
PACKAGING	PERIPHERAL SEAL SEE DETAIL		PART NO

DO NOT SCALE PRINT.
 UNLESS SPECIFIED
 DIMENSIONS IN mm [INCHES]
 TOLERANCES ON:
 2 PLC DEC ± 0.13 (.005)
 3 PLC DEC ± -
 ANGLES ± -

MATERIAL
 HOUSING: NYLON, BLACK
 SEAL: ELASTOMER, GREY

FINISH
 -

DR 10/29/92
 D. GELTZ

CHK 08/11/93
 R. STONE

APPD 08/13/93
 A. FRANTUM

APPD 08/13/93
 A. FRANTUM

PRODUCT SPEC
 108-10024

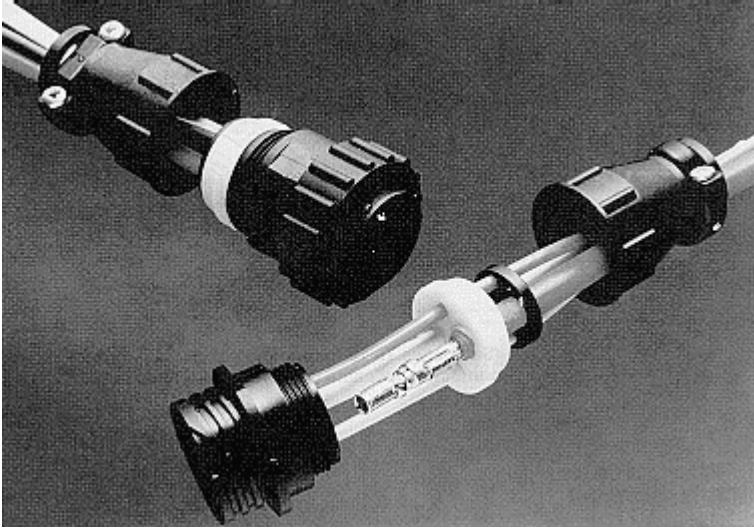
APPLICATION SPEC
 -

WEIGHT
 -

AMP AMP Incorporated Harrisburg, PA 17105-3608		
NAME RECEPTACLE HOUSING, STANDARD SEX, SHELL SIZE 23, CPC		
SIZE D	CAGE CODE 00779	DRAWING NO C-206838
SCALE 2:1	SHEET 1 OF 1	

THIS DRAWING IS A CONTROLLED DOCUMENT FOR AMP INCORPORATED. IT IS SUBJECT TO CHANGE AND THE CONTROLLING ENGINEERING ORGANIZATION SHOULD BE CONTACTED FOR THE LATEST REVISION.

Sealed Circular Plastic Connectors



Product Facts

- Economical environmentally sealed connector designed for industrial applications
- Meets major Industrial Standards
- High strength, impact resistant thermoplastic housing, rated UL 94V-0
- Contains wire entry, peripheral, and full interfacial seals
- AMP Powerband precision formed power contact (Series 5 and 6)
- Type III+ precision formed signal/low current contacts (Series 6)
- Other configurations in Series 1 can be made available, contact your local AMP Sales Engineer or AMP Incorporated, Harrisburg, PA

Description

Sealed CPC connectors are the latest additions to the growing family of AMP Circular Plastic Connectors. Sealed CPC connectors were developed as part of the Series 5 and 6 product line, specifically to meet the increasing demand for an economical environmentally sealed connector.

Sealed CPC connectors are designed to meet the requirements of UL, CSA,

and VDE for environmentally sealed connectors used in industrial applications.

In addition, sealed CPC connectors are designed to meet the latest SAE and ASAE requirements as out-lined in the standards listed here.

Sealed CPC connectors incorporated the latest technology in thermoplastic design and use the new AMP Powerband precision formed high current contact.

Seen above are the Series 5 (power) and Series 6 (power/signal mix) sealed connector configurations. Other sizes are available in a Series 1 (signal/low current) configuration. Contact your local AMP Sales Engineer, or call AMP Incorporated for the latest design information.

Industry Standards:

Sealed CPC connectors meet or are currently being tested to--

- SAE- J2030
- ASAE- EP455
- IP- 65 thru 67
- UL- 498
- NEMA- Class 4

Performance Characteristics

Operating Temperature Range:

-50°C to 125°C

Voltage Rating:

Series 5 -- 600 V (AC or DC)

Series 6 -- 250 V (AC or DC)

Power Contact -- .125 Powerband 50 amps, single contact rating at 30°C T-Rise

Type III+ Contacts -- 13 amps., single contact rating at 30°C T-Rise

Flammability Rating:

UL 94V-O rated

Sealing Capability:

Per IP 66 and IP 67

Housing Material:

High strength, impact resistant thermoplastic

Fluid Resistance:

Diesel fuel, gear and engine fuel, gasoline, anti-freeze, hydraulic fluid, water

Contact Selector Chart

Connector Type	20-DF	Type I	Type II	Type III+	Posted Type III+	Type XII	Sub-Mini Coax	POWERBAND
CPC Series 1			X	X	X		X	
CPC Series 2	X							
CPC Series 3						X		
CPC Series 4			X	X		X	X	
CPC Series 5								X
CPC Series 6		X	X	X				X
CPC 50				X				
CMC Series 1			X	X	X		X	
CMC Series 2	X							
CMC Series 3						X		
CMC Series 4			X	X		X	X	

CPC and Metal-Shell CPC Connectors Introduction

Product Facts

- Lightweight, all-plastic and metal-shell connectors
- CPC connectors are UL 94V-0 rated and made of stabilized, heat resistant, self-extinguishing thermoplastic material
- Metal-shell CPC connector housings made of UL 94V-0 rated thermoplastic
- Operating temperature range: -55°C to 125°C
- Available in panel or chassis mount and free-hanging configurations
- Quick connect/disconnect capability with thread assist, positive detent coupling
- Built-in pin and socket protection
- Polarized for proper mating of connector halves
- Special connector configurations offer special solder and posted contacts, special receptacles with or without threaded inserts
- Full complement of optional accessories
- Recognized under the Component Program of the Underwriters Laboratories, Inc. for 250 VAC, rms or 250 VDC, Service*, File No. E28476
- Certified by the Canadian Standards Association, File No. LR 7189
- Select connectors are recognized for 600 volts service
- Four connector series for different interconnection requirements:
 - Series 1--Standard density, signal and low-current applications using durable Multimatch contacts (.062 [1.57] pin diameter)
 - Series 2--High density applications using Size 20 DM and 20 DF contacts (.040 [1.02] pin diameter)
 - Series 3--Low density, power applications with Type XII contacts capable of carrying up to 35 amperes of current
 - Series 4--Combination of standard and power density application with Type III+ and Type XII contacts