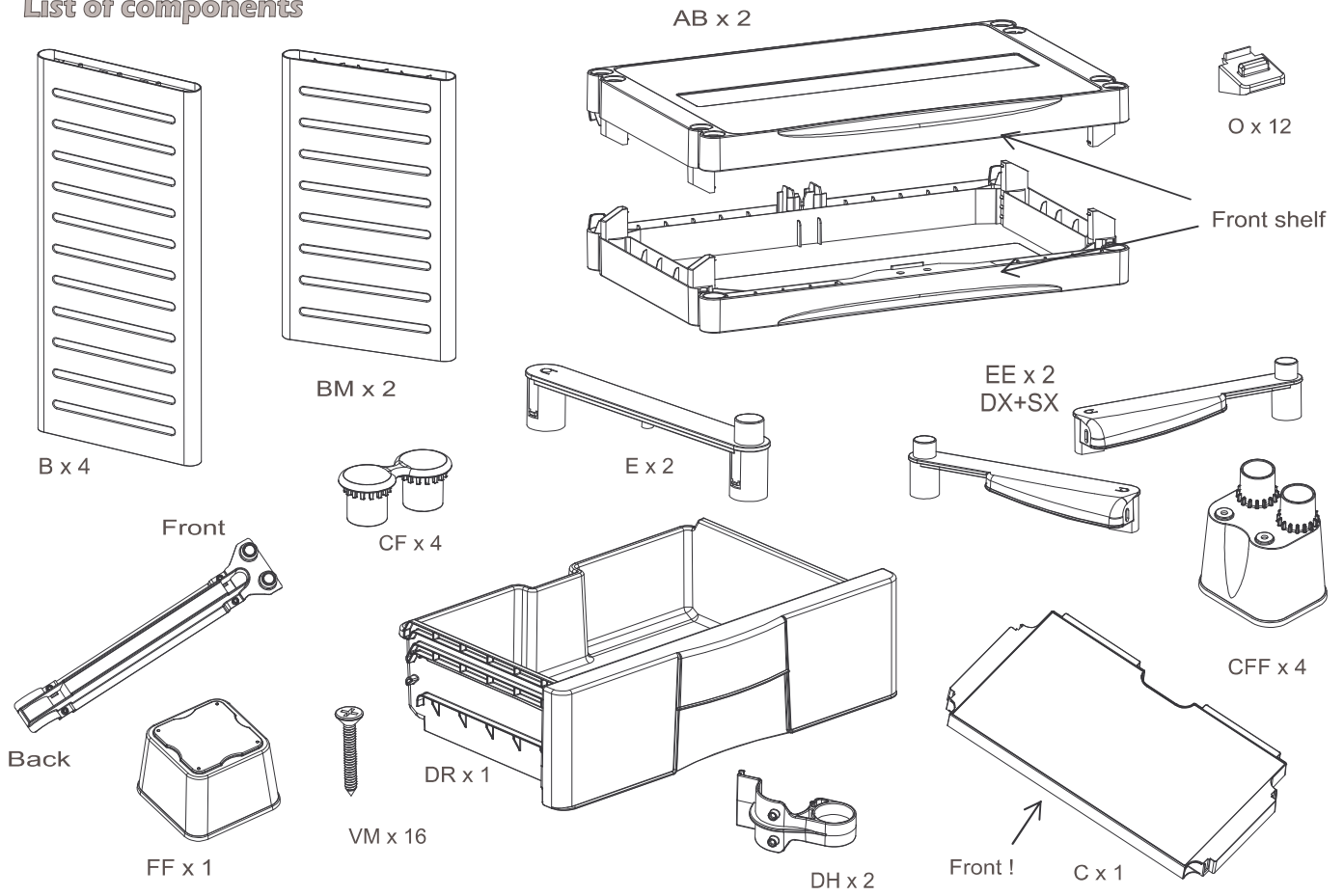
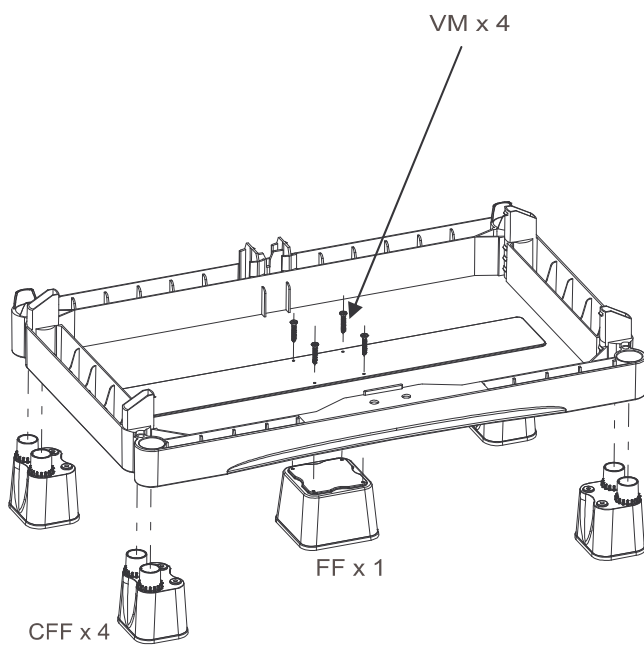


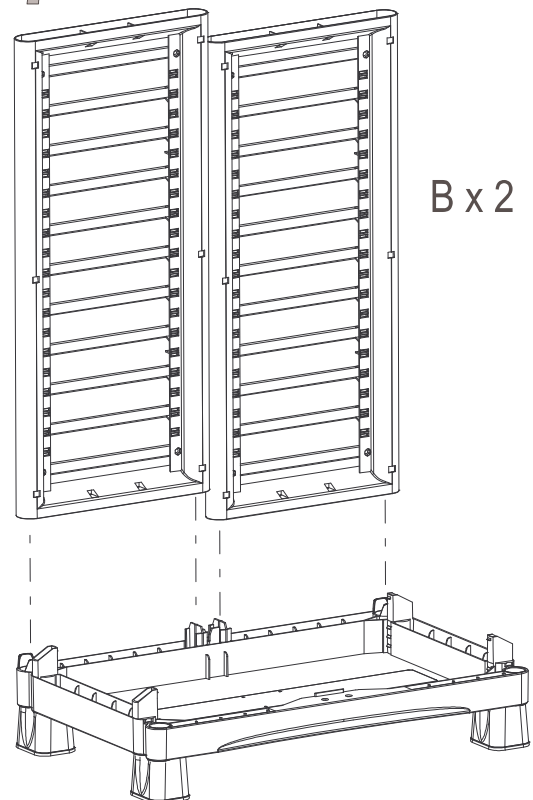
## List of components



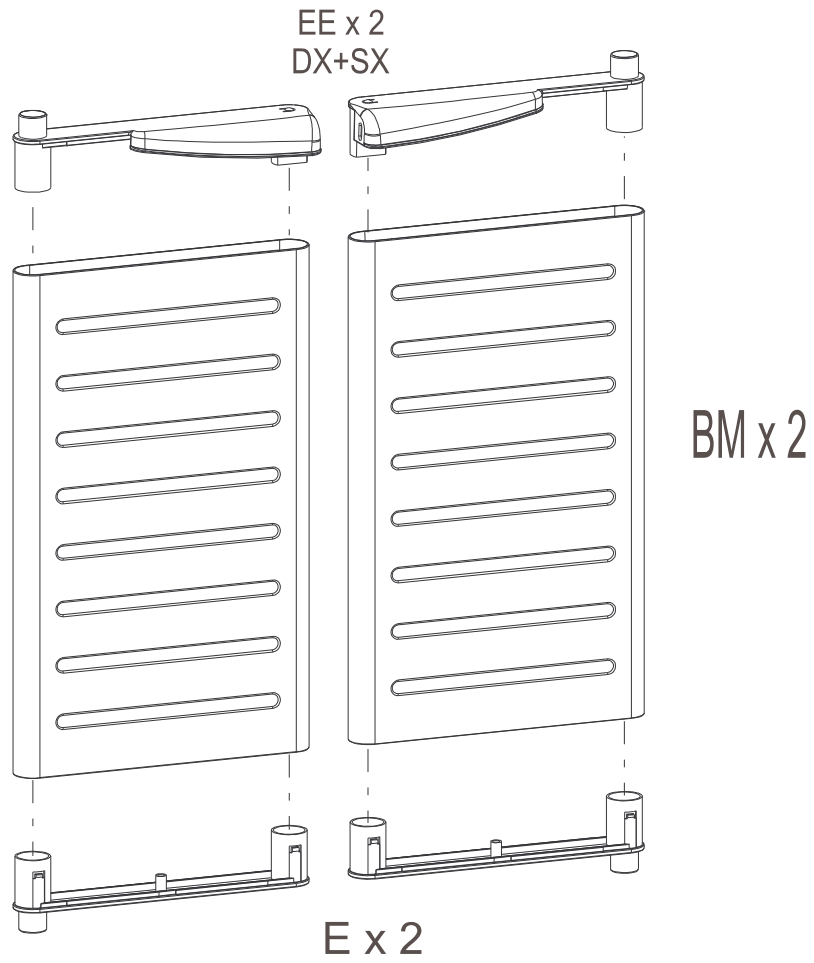
## Step 1



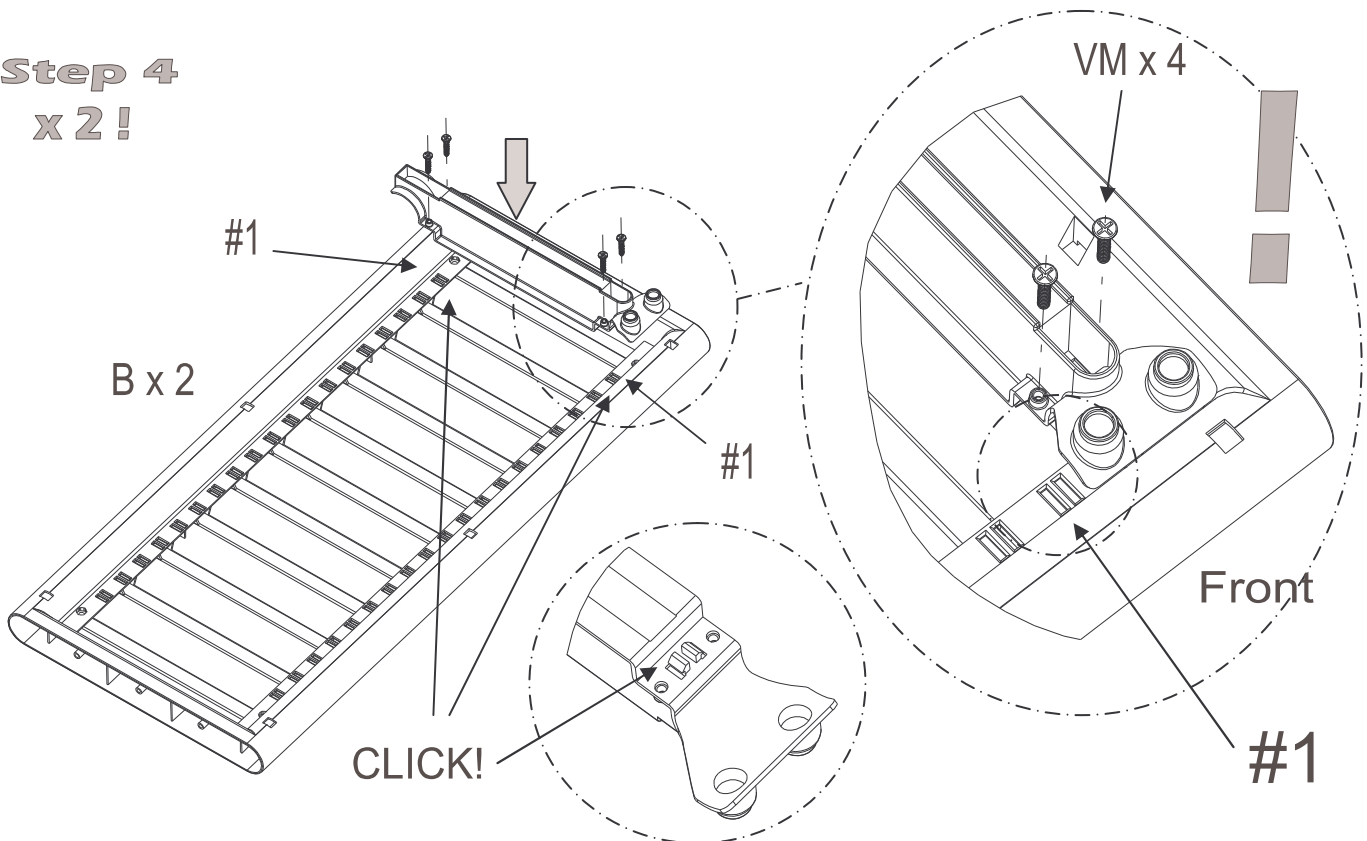
## Step 2



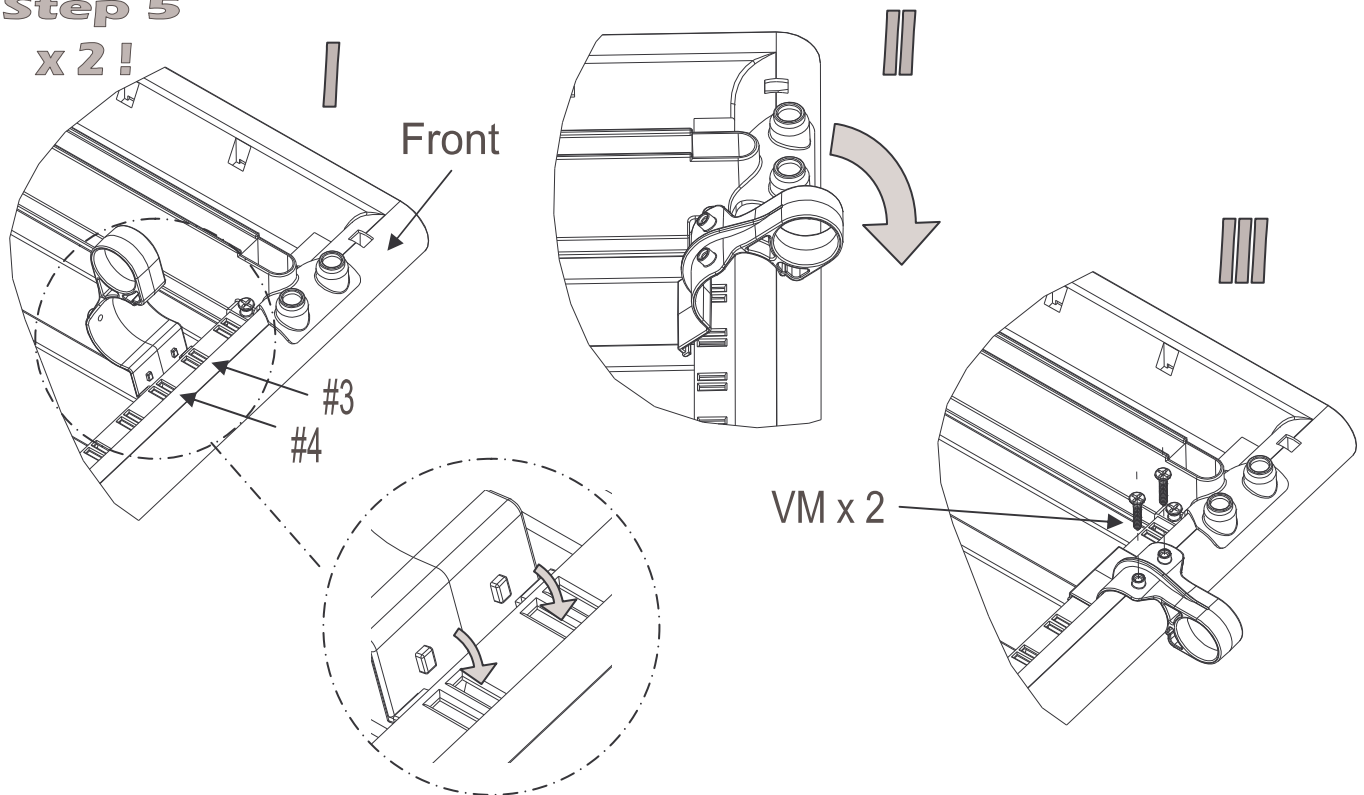
## Step 3



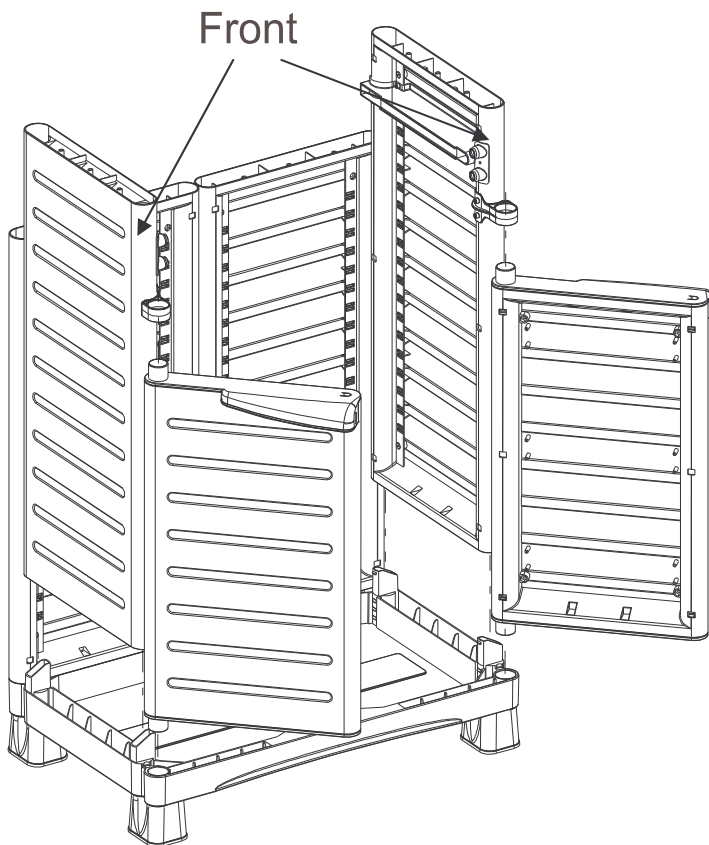
## Step 4 x 2!



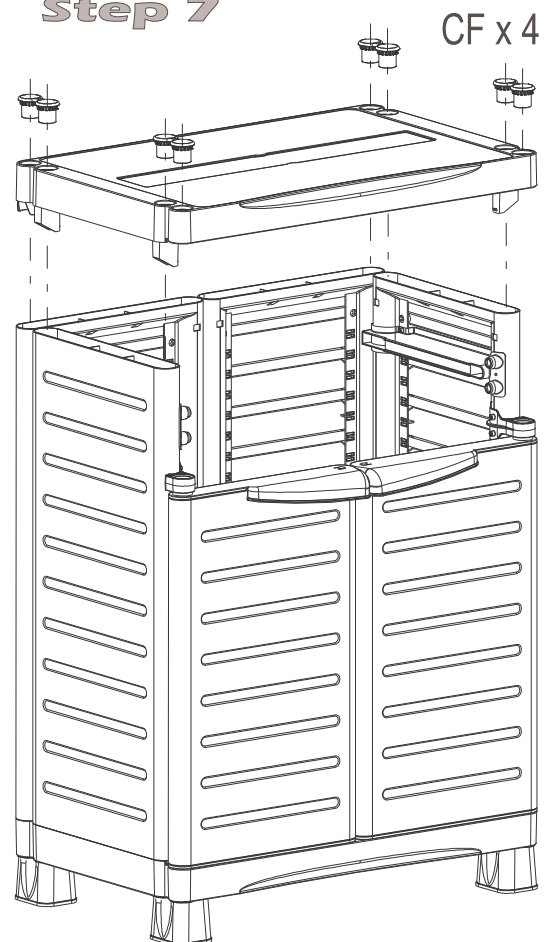
## Step 5 x 2!



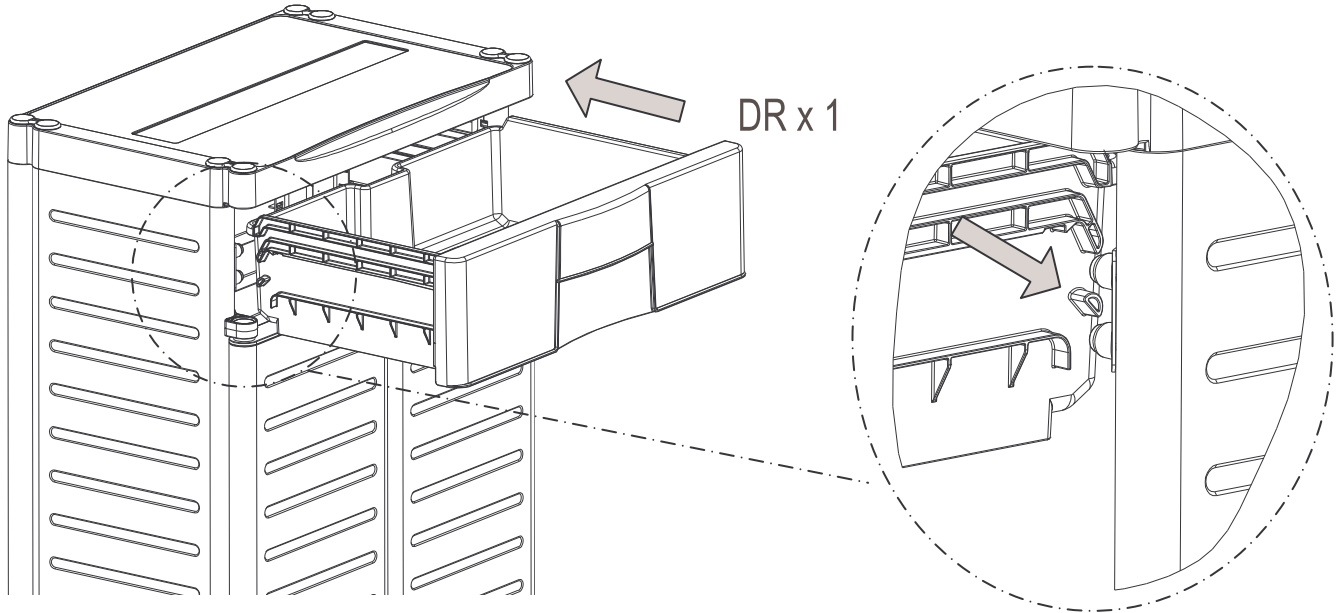
## Step 6



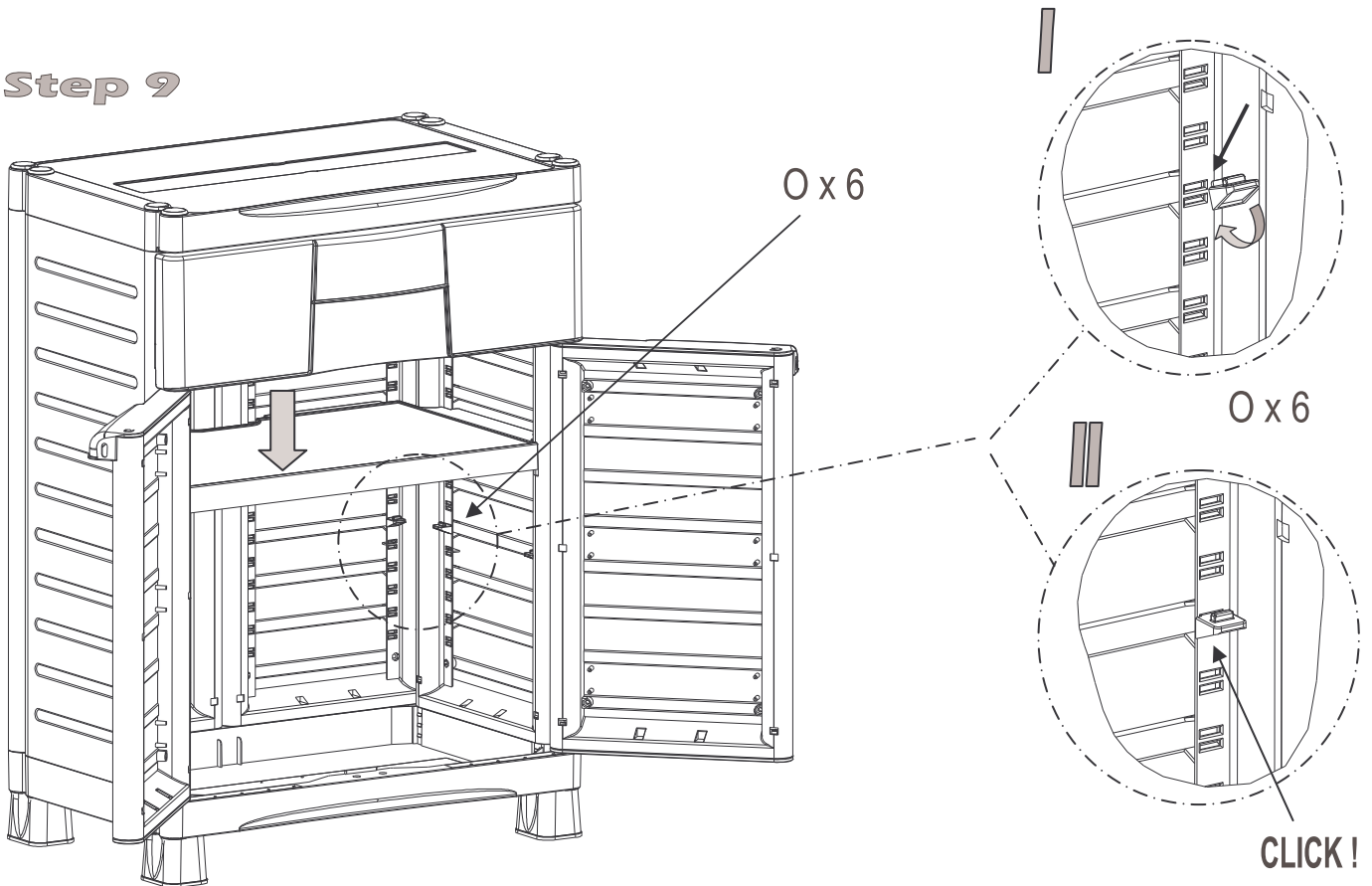
## Step 7



## Step 8



## Step 9



### Loading capacity warning

Maximum load allowed for a single free-standing unit:

Kg/Lbs 15/66.8 x drawer

Kg/Lbs 20/88.8 inner & top shelf