



# PRODUCT DATASHEET

## Eva series

last update 22/5/2014

### DETAILS

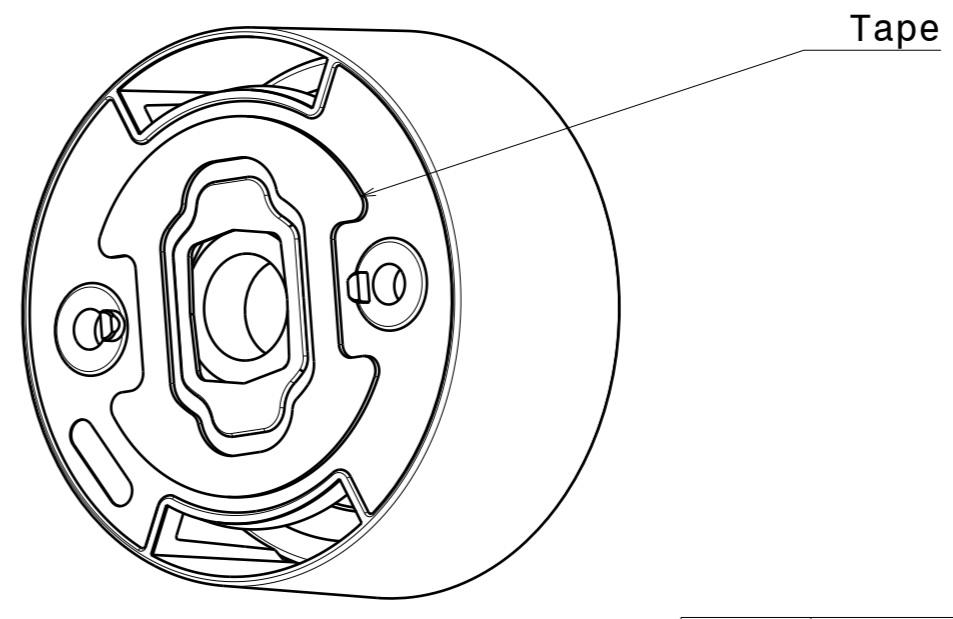
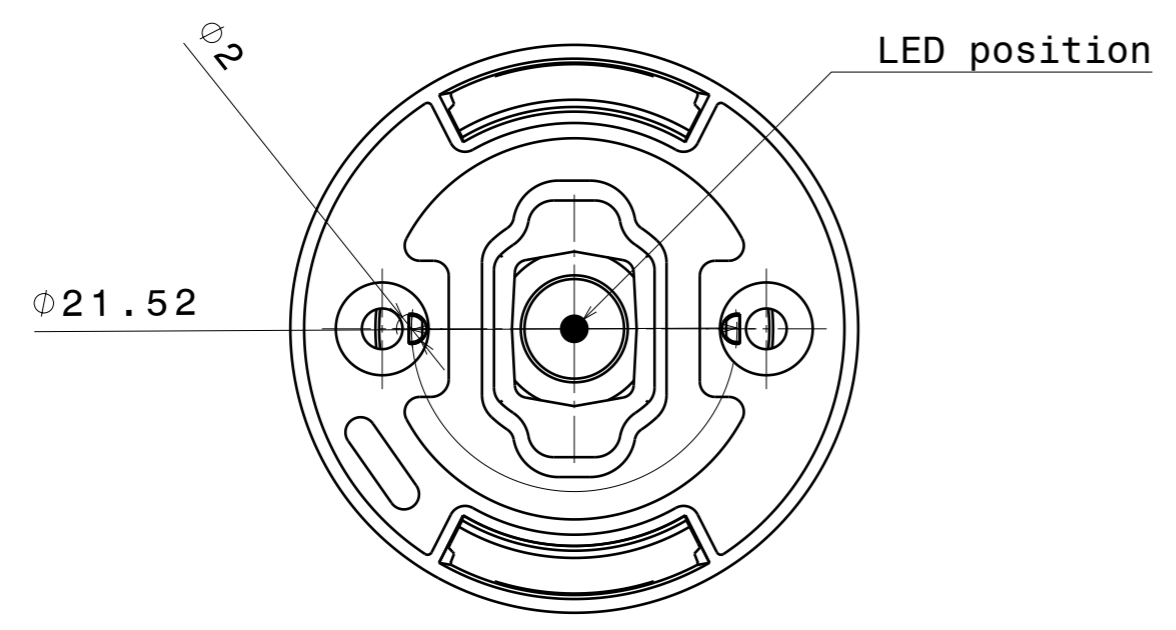
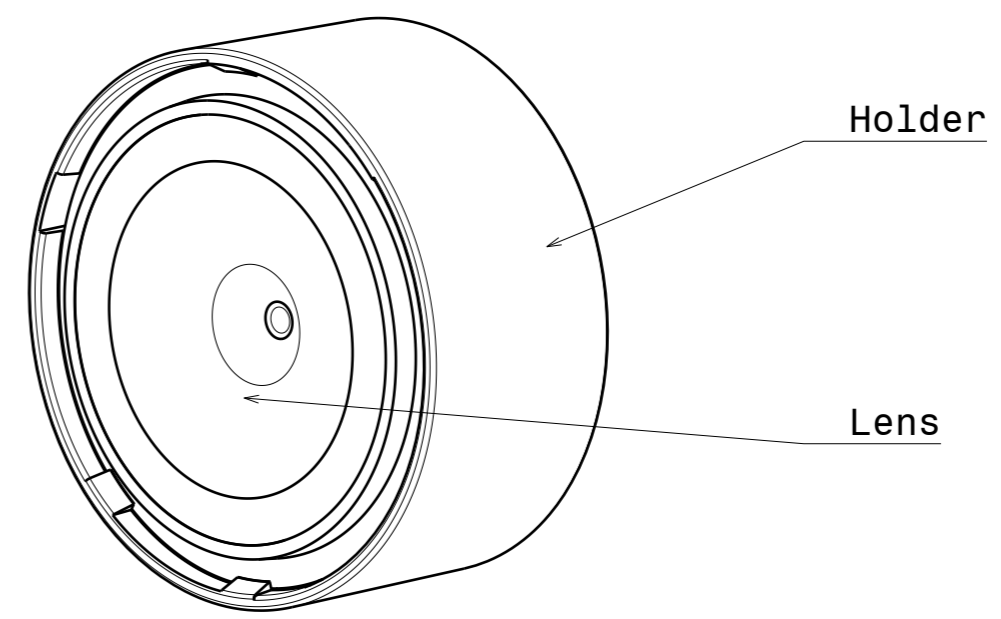
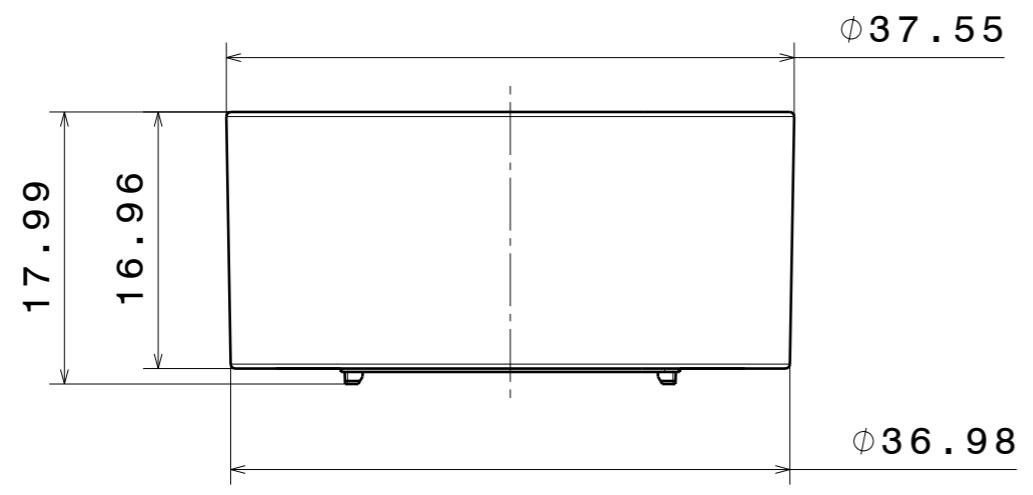
<b>Product Number</b>	CA14309_EVA-W
<b>Family</b>	Eva
<b>Type</b>	Lens
<b>Color</b>	black
<b>Diameter</b>	37.7 mm
<b>Height</b>	17.2 mm
<b>Style</b>	round
<b>Optic Material</b>	PMMA
<b>Holder Material</b>	PC
<b>Fastening</b>	pin, tape
<b>Status</b>	ready
<b>ROHS Compliant</b>	Yes
<b>Date Updated</b>	22/05/2014



### OPTICAL PROPERTIES

LED	Viewing Angle	Light Beam	Efficiency	cd/lm	Connector
LUXEON M	45 deg		80 %	1.300	-

H G F E D C B A

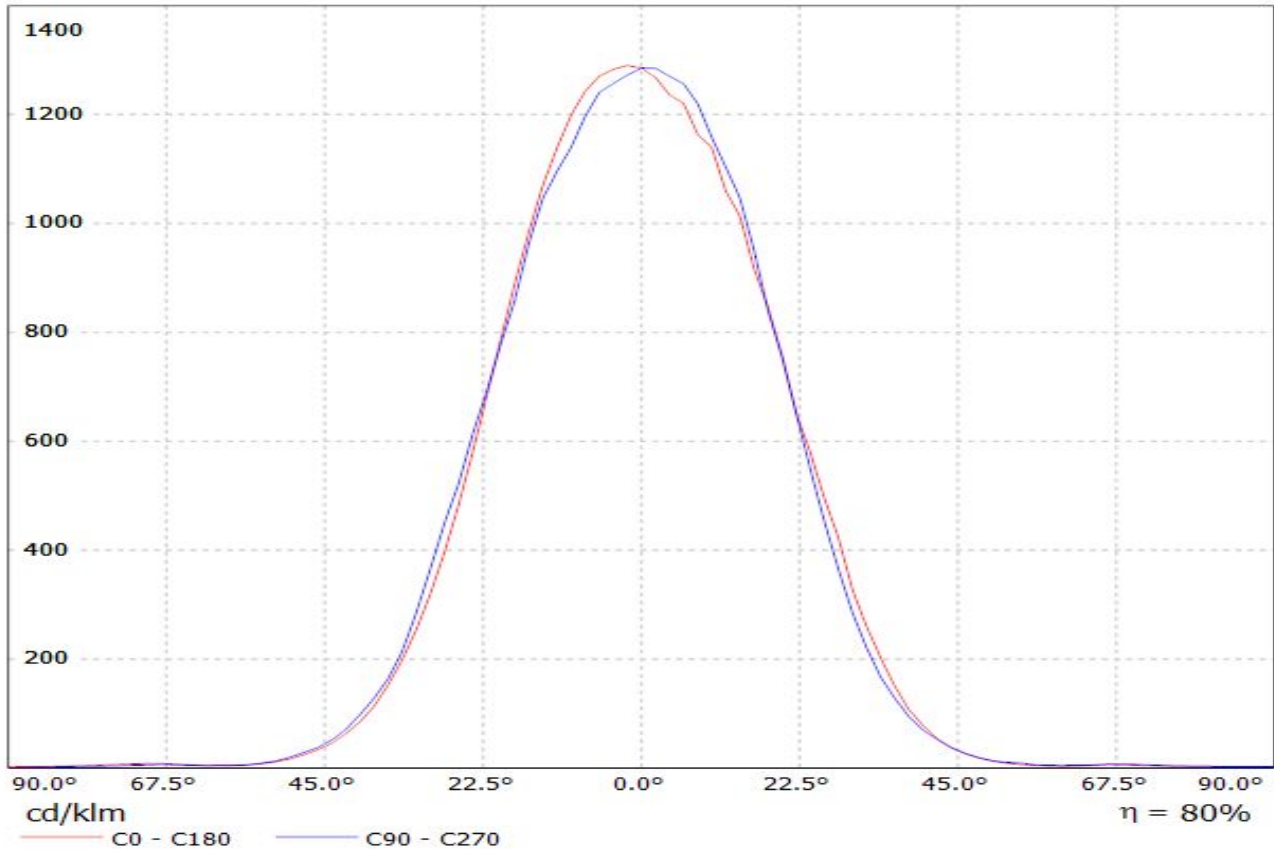


INDEX	PART NO	MATERIAL	COLOUR
1	Holder	PC	Black
2	Lens	PMMA	Clear
3	Tape	-	Black

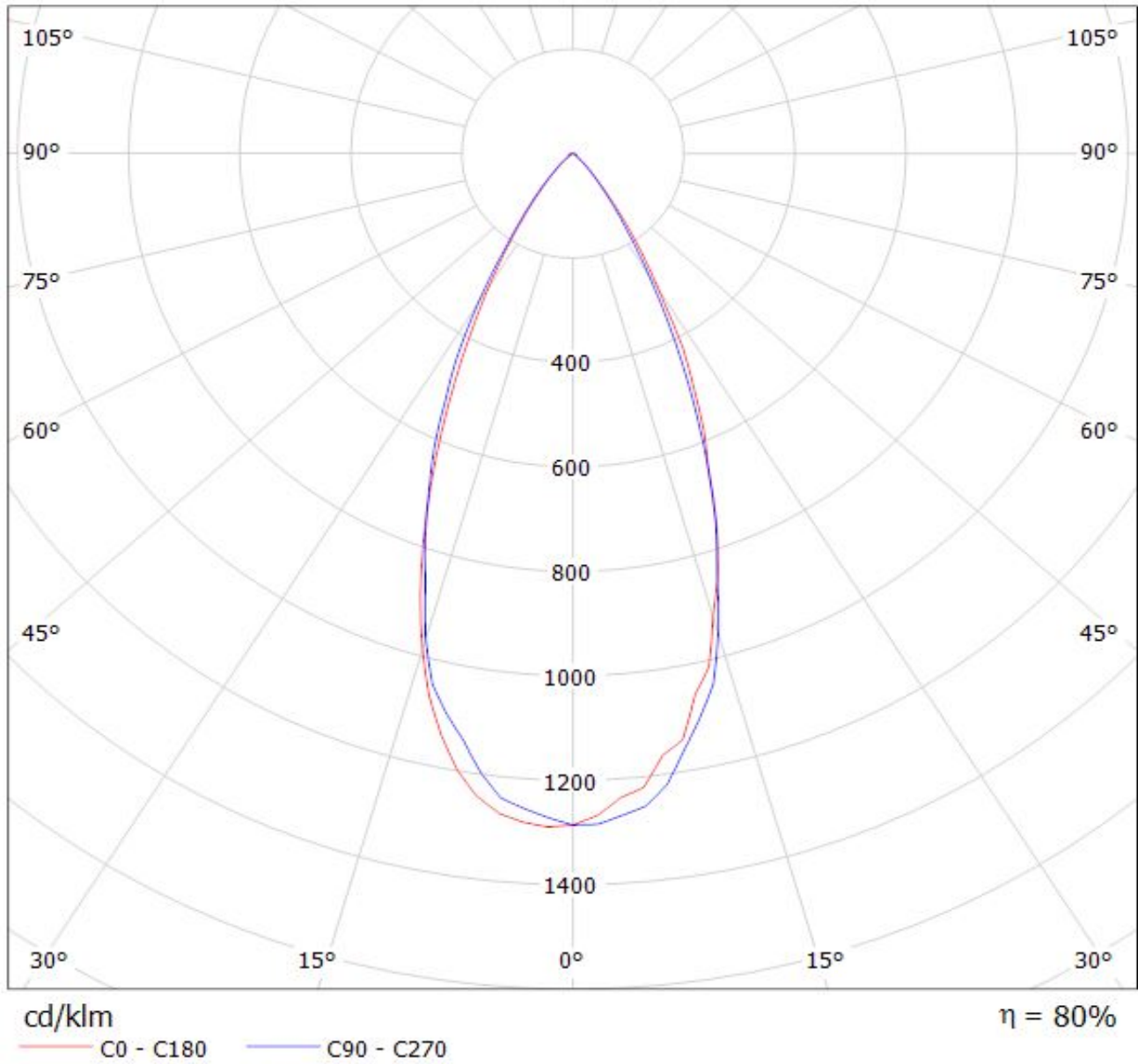
<p>Tolerances if not otherwise shown          According to DIN ISO 2768-1          Linear measures: class C          According to DIN ISO 2768-2          Form and position: class L</p>		<p>LediL Oy          Salorankatu 10          FIN 24240 SALO          Finland</p>	
<p>THIRD ANGLE PROJECTION:</p>		<p>DRAWING TITLE</p> <p>CA14309_EVA-W</p>	
<p>This drawing is the property of LEDiL Oy. It may not be reproduced, copied or communicated without a written agreement with LEDiL Oy.</p>		<p>SIZE</p> <p>A3</p>	<p>PART NUMBER</p> <p>CA14309</p>
<p>SCALE</p> <p>2:1</p>		<p>WEIGHT</p> <p>-</p>	<p>SHEET</p> <p>1/1</p>

H G B A

Luminaire: Ledil CA14309\_EVA-W (Luxeon M) Efficiency=80%  
Lamps: 1 x Luxeon M (362lm @ 250mA)



Luminaire: Ledil CA14309\_EVA-W (Luxeon M) Efficiency=80%  
Lamps: 1 x Luxeon M (362lm @ 250mA)



**NOTE: The typical divergence will be changed by different color, chip size and chip position tolerance. The typical total divergence is the full angle measured where the luminous intensity is half of the peak value.**