

# Product Information



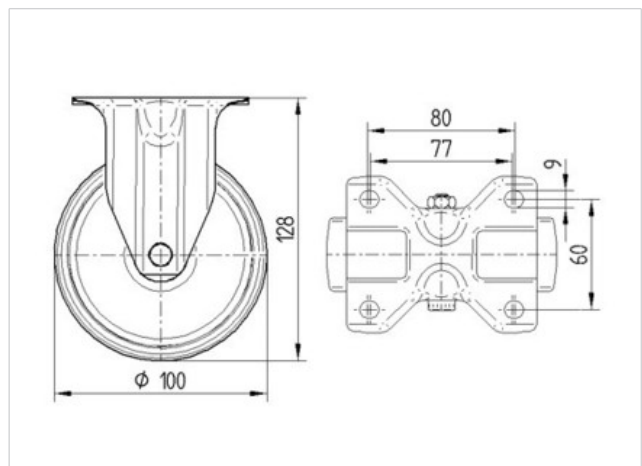
## 8478UOO100P62

EAN 4031582313390

Fixed castor, Fork made of Stainless Steel, wheel axle with nut, plate fitting.

Wheel centre made of Polyamide, plain bearing

Technical Data	
Wheel diameter	100 mm
Width of Tread	36 mm
Size of Plate	100 x 85 mm
Plate hole centres	80/77 x 60 mm
Plate hole	9 mm
Overall height	128 mm
Temperature	- 40 / + 80 °C
Standard	EN 12532
Weight	0.445 kg
Hardness of tread	D 75 Shore
Load capacity	200 kg
Load capacity (static)	400 kg



Roll performance	+	+	+	+	+
Movement noise	+	+	+	+	+
Attrition	+	+	+	+	+
Corrosion resistance	+	+	+	+	+



## 8478UOO100P62

EAN 4031582313390

