


Ordering number C12726_STRADA-SQ-T-DWC

Family	Strada-SQ	FWHM	Asym degrees
Type	Lens	Efficiency	94 %
LED	XP-G2	cd/lm	1.100
Color	Clear	Gerber File	Available
Diameter	25 x 25 mm		
Height	8 mm		
Style	Square		
Optic Material	PMMA		
Holder Material	-		
Fastening	Screw, pin, glue		
Status	Ready		

Ordering number C12727_STRADA-SQ-VSM

Family	Strada-SQ	FWHM	149 degrees
Type	Lens	Efficiency	94 %
LED	XP-G2	cd/lm	0.700
Color	Clear	Gerber File	Available
Diameter	25 x 25 mm		
Height	6.8 mm		
Style	Square		
Optic Material	PMMA		
Holder Material	-		
Fastening	Screw, pin, glue		
Status	Ready		

NOTE: The typical divergence will be changed by different color, chip size and chip position tolerance. The typical total divergence is the full angle measured where the luminous intensity is half of the peak value.



PRODUCT DATASHEET Strada-SQ series

last update 14/9/2012

GENERAL INFORMATION

- Product series especially designed & optimized for XP-G2 series of LEDs.
- Special care taken to make light distribution as uniform as possible.
- Lens material optical grade PMMA with high UV and temperature resistance. Allows use of high current and temperature conditions.

Please find more information about used material from below:

http://ledil.fi/sites/default/files/Documents/Technical/Material/PMMA%20N%20UL94_Yellow%20Card.pdf

<http://ledil.fi/sites/default/files/Documents/Technical/Material/PMMA%20N%20PLEXIGLAS-Datasheet.pdf>

D

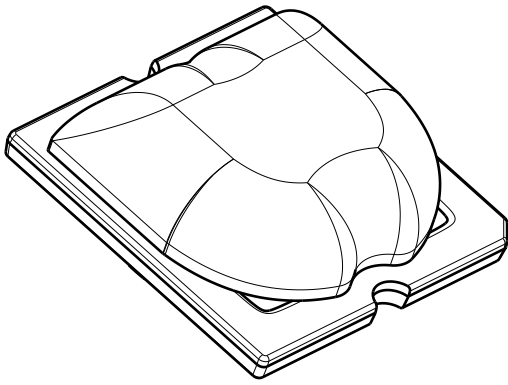
C

B

A

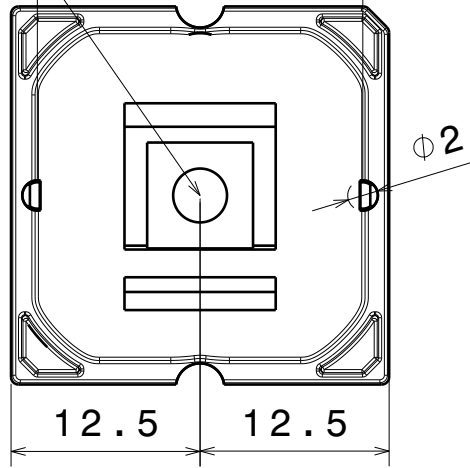
4

4



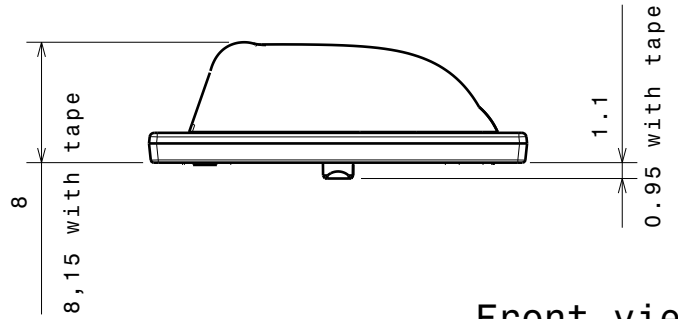
LED in center of the lens

21.5



3

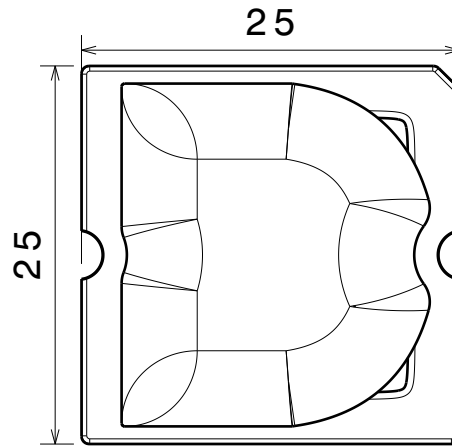
3



Front view

2

2



Top view

Materials:
Lens: PMMA

This drawing is our property.
It can't be reproduced
or communicated without
our written agreement.



Ledil Oy
Salorankatu 10
FIN 24240 SALO
Finland

DRAWING TITLE

Datasheet STRADA-SQ-DWC

DRAWN BY

ol

DATE

4.5.2012

CHECKED BY

PV

DATE

4.5.2012

DESIGNED BY

OL

DATE

24.4.2012

SIZE

A4

DRAWING NUMBER

C12726

REV

01

SCALE

2:1

WEIGHT (kg)

0,00

SHEET

1/1

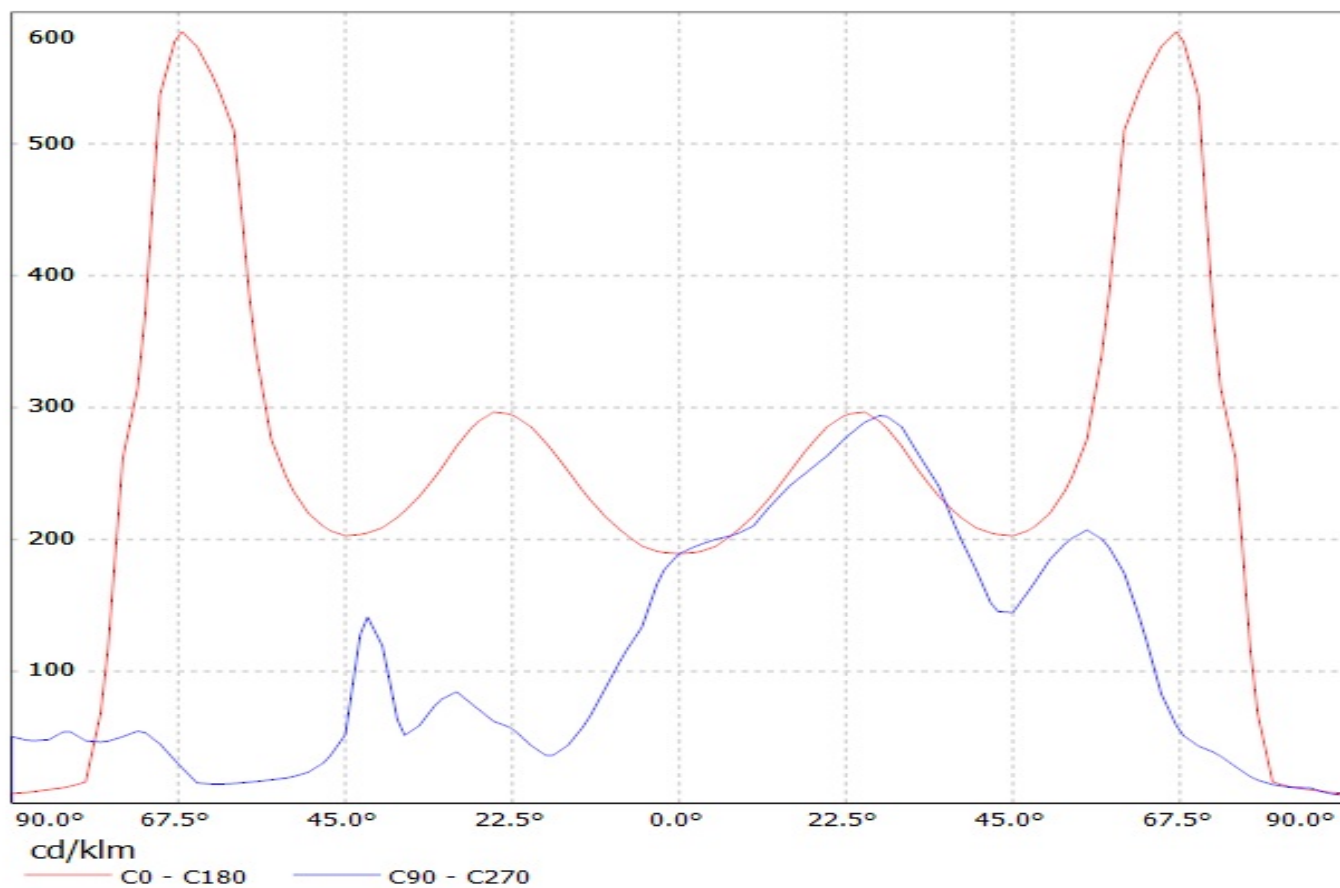
D

A

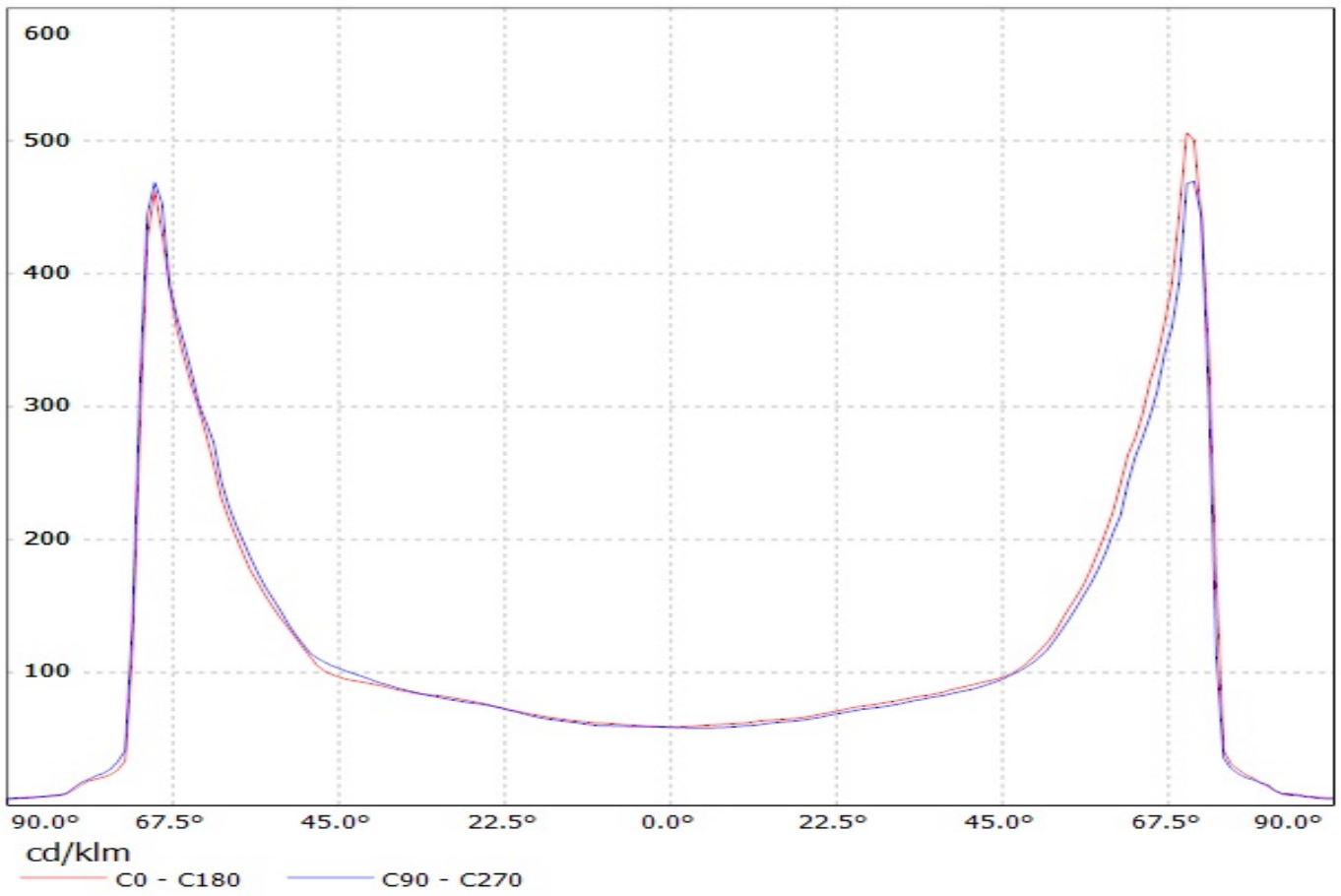
1

1

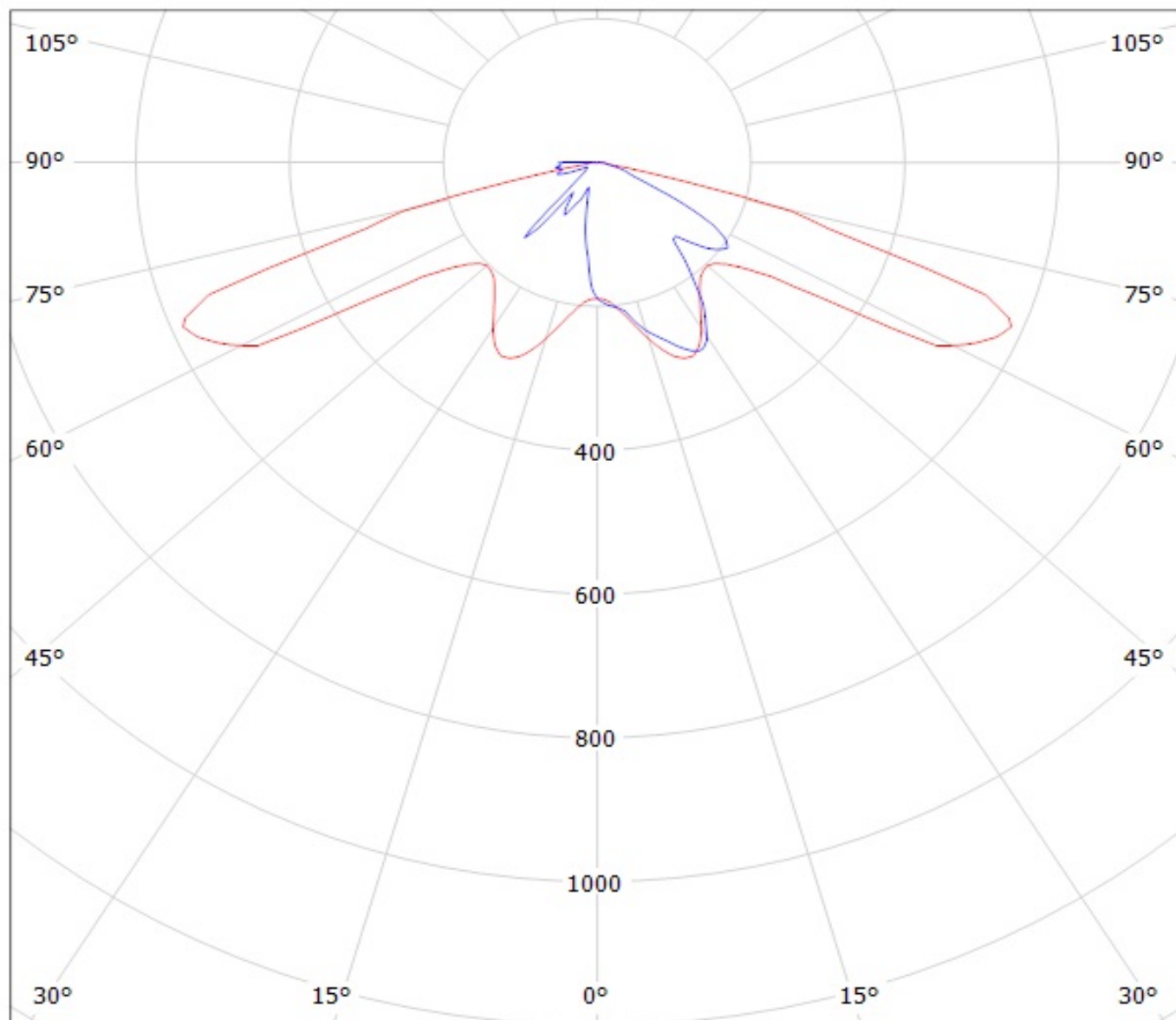
Valaisin: LEDIL OY C12726_STRADA-SQ-T-DWC_(XP-G2) efficiency=94%
Lamput: 1 x CREE XP-G2 (109.1lm@250mA)



Valaisin: LEDIL OY C12727_STRADA-SQ-VSM (XP-G2) Efficiency=95%
Lamput: 1 x Cree XP-G2 (109.1lm @ 250mA)



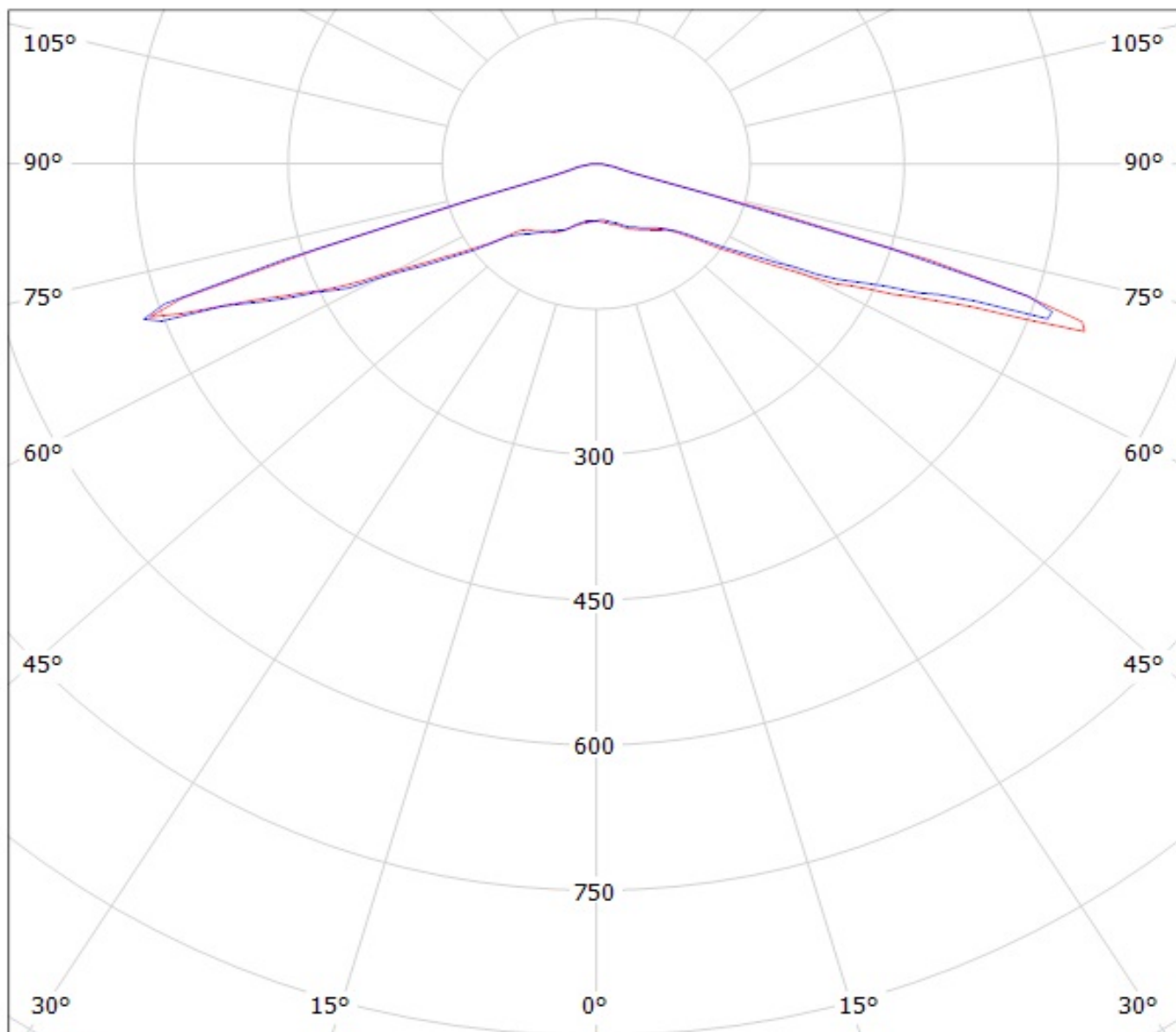
Valaisin: LEDIL OY C12726_STRADA-SQ-T-DWC_(XP-G2) efficiency=94%
Lamput: 1 x CREE XP-G2 (109.1lm@250mA)



cd/klm

— C0 - C180 — C90 - C270

Valaisin: LEDIL OY C12727_STRADA-SQ-VSM (XP-G2) Efficiency=95%
Lamput: 1 x Cree XP-G2 (109.1lm @ 250mA)



cd/klm

— C0 - C180 — C90 - C270