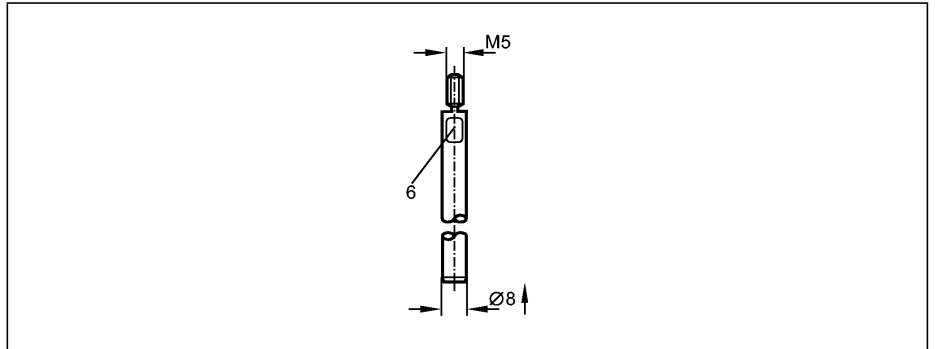


Accessories

**E43204**

Probe



Made in Germany

<b>Probe length L [mm]</b>	<b>450</b>
Design	for level sensors LR
Recommended tightening torque [Nm]	4
Housing materials	stainless steel (303S22)
Weight [kg]	0.201