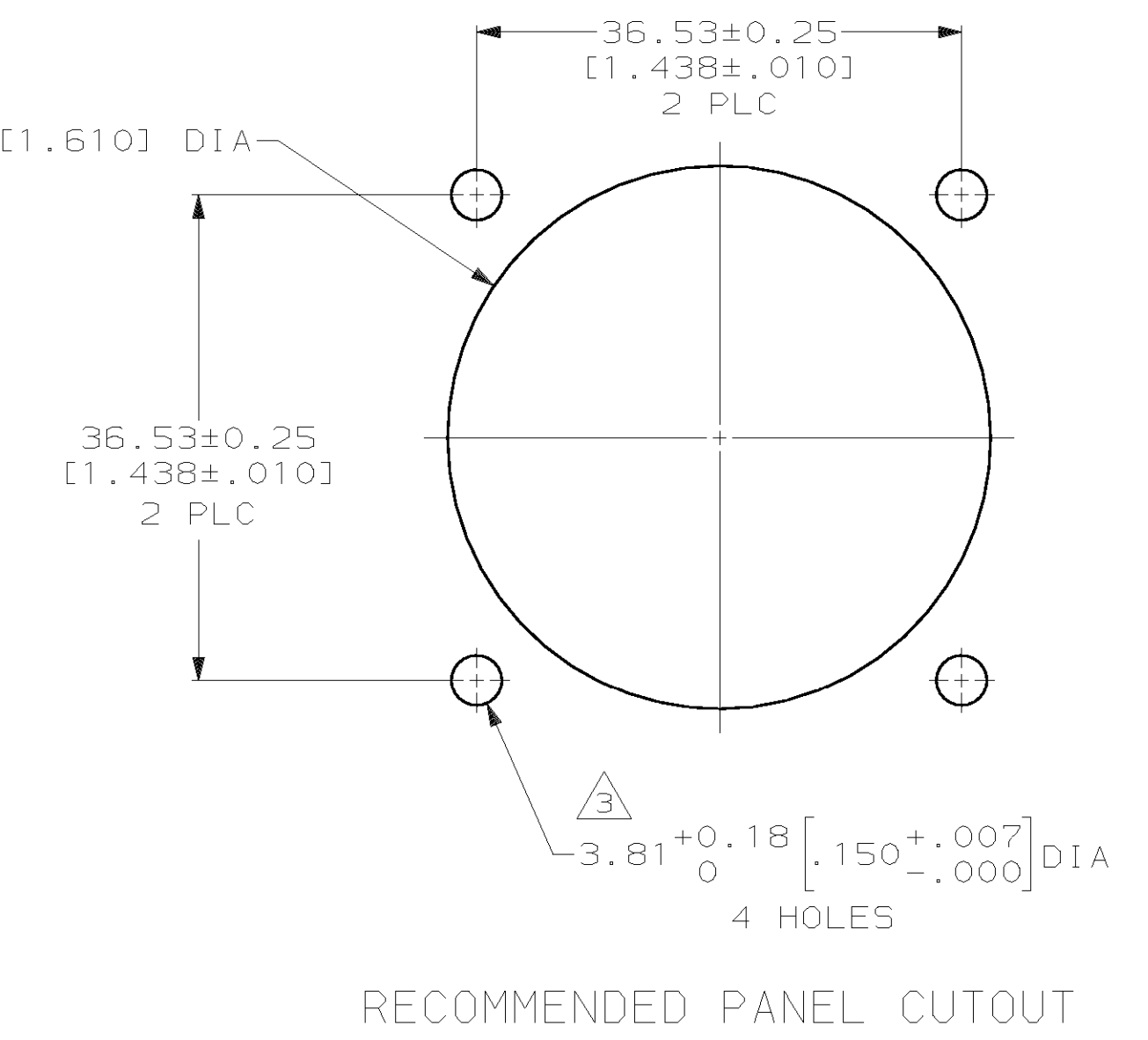
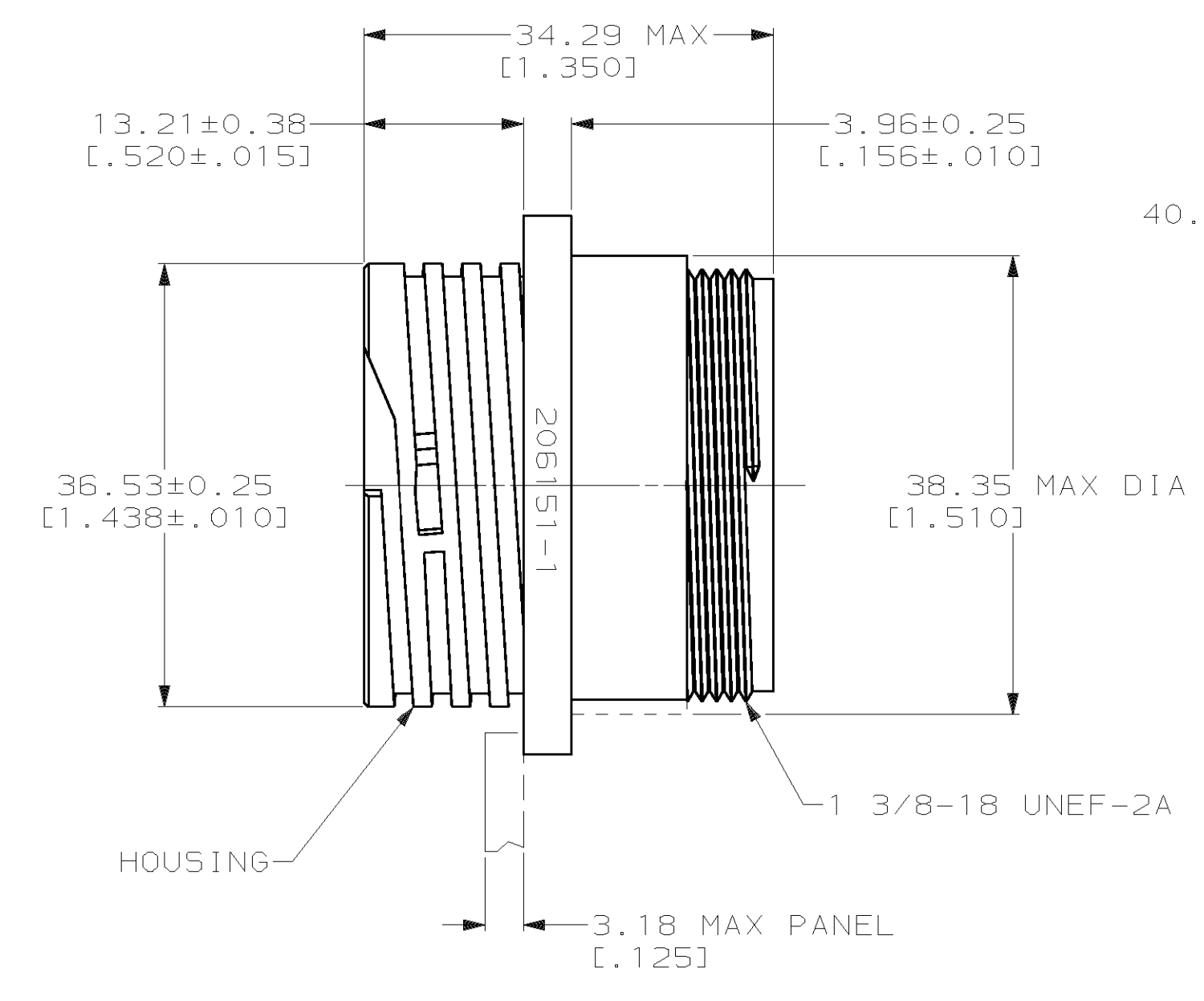
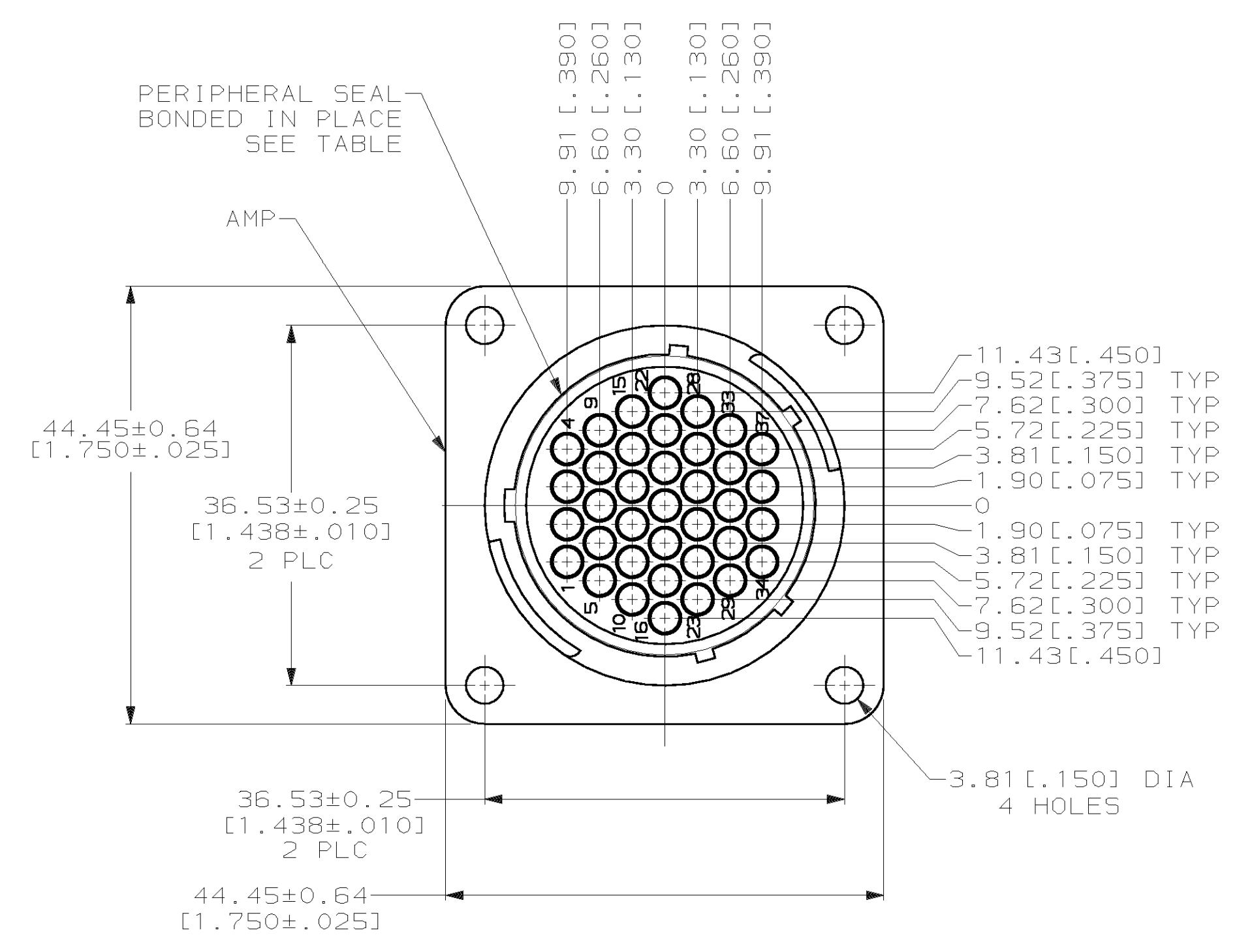
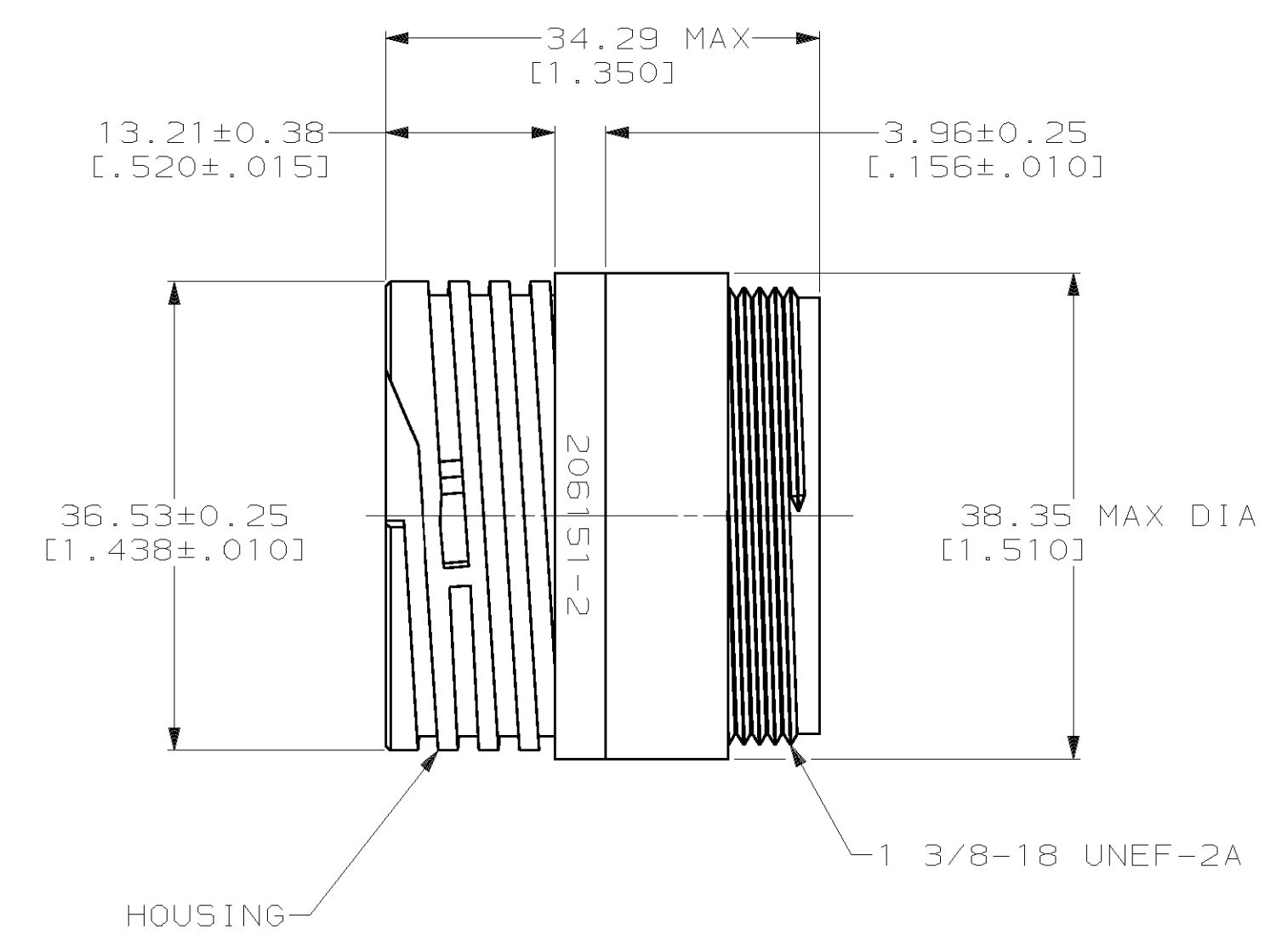
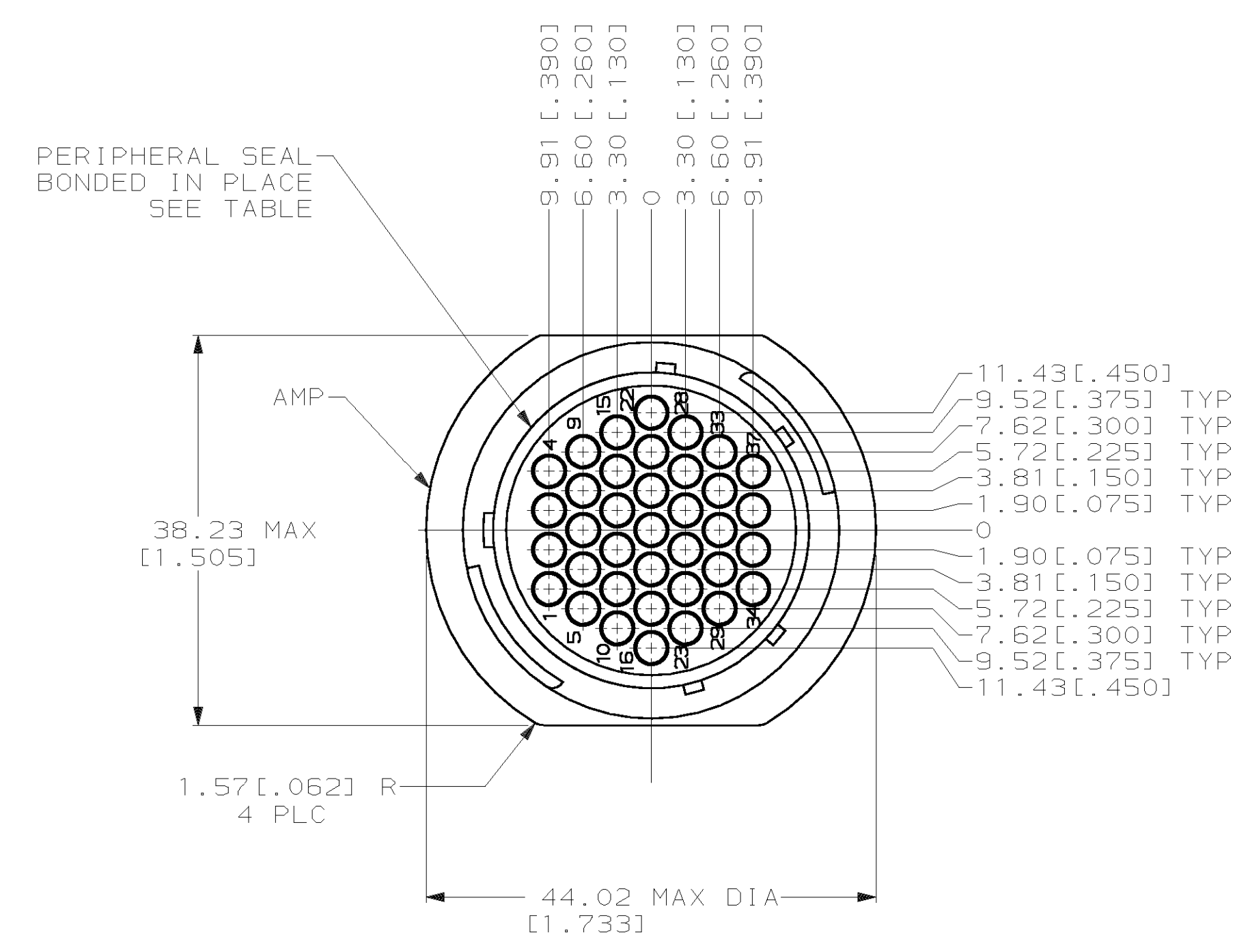


LOC	DIST	P	F	ZONE	LTR	DESCRIPTION	DATE	APPD
FT	0				K	REVISE PER ECN 063B-0097-00	17APR00	SU/MC



DETAIL A



DETAIL B

1. CAVITY IDENTIFICATION ON FRONT AND REAR FACE.
2. WILL ACCEPT THIRTY-SEVEN (37) MULTIMATE PIN CONTACTS.
3. NO 4 FASTENER RECOMMENDED FOR MOUNTING.

SMALL PACK	NO	A	206151-5
STANDARD	YES	B	206151-4
STANDARD	YES	A	206151-3
STANDARD	NO	B	206151-2
STANDARD	NO	A	206151-1
PACKAGING	PERIPHERAL SEAL	SEE DETAIL	PART NUMBER

DO NOT SCALE PRINT. UNLESS SPECIFIED DIMENSIONS IN mm [INCHES] TOLERANCES ON: 2 PLC DEC ± 0.13 [.005] 3 PLC DEC ± - ANGLES ± -	DR 07/26/93 D.GELTZ CHK 08/11/93 R.STONE APPD 08/13/93 A.FRANTUM APPD 08/13/93 A.FRANTUM PRODUCT SPEC 108-10024 APPLICATION SPEC -
FINISH	-
WEIGHT	-

<b>AMP</b> AMP Incorporated Harrisburg, PA 17105-3608		
RECEPTACLE HOUSING, STANDARD SEX, SHELL SIZE 23, CPC		
SIZE	CAGE CODE	DRAWING NO
D	00779	C-206151
SCALE	2:1	SHEET 1 OF 1

THIS DRAWING IS A CONTROLLED DOCUMENT FOR AMP INCORPORATED. IT IS SUBJECT TO CHANGE AND THE CONTROLLING ENGINEERING ORGANIZATION SHOULD BE CONTACTED FOR THE LATEST REVISION.