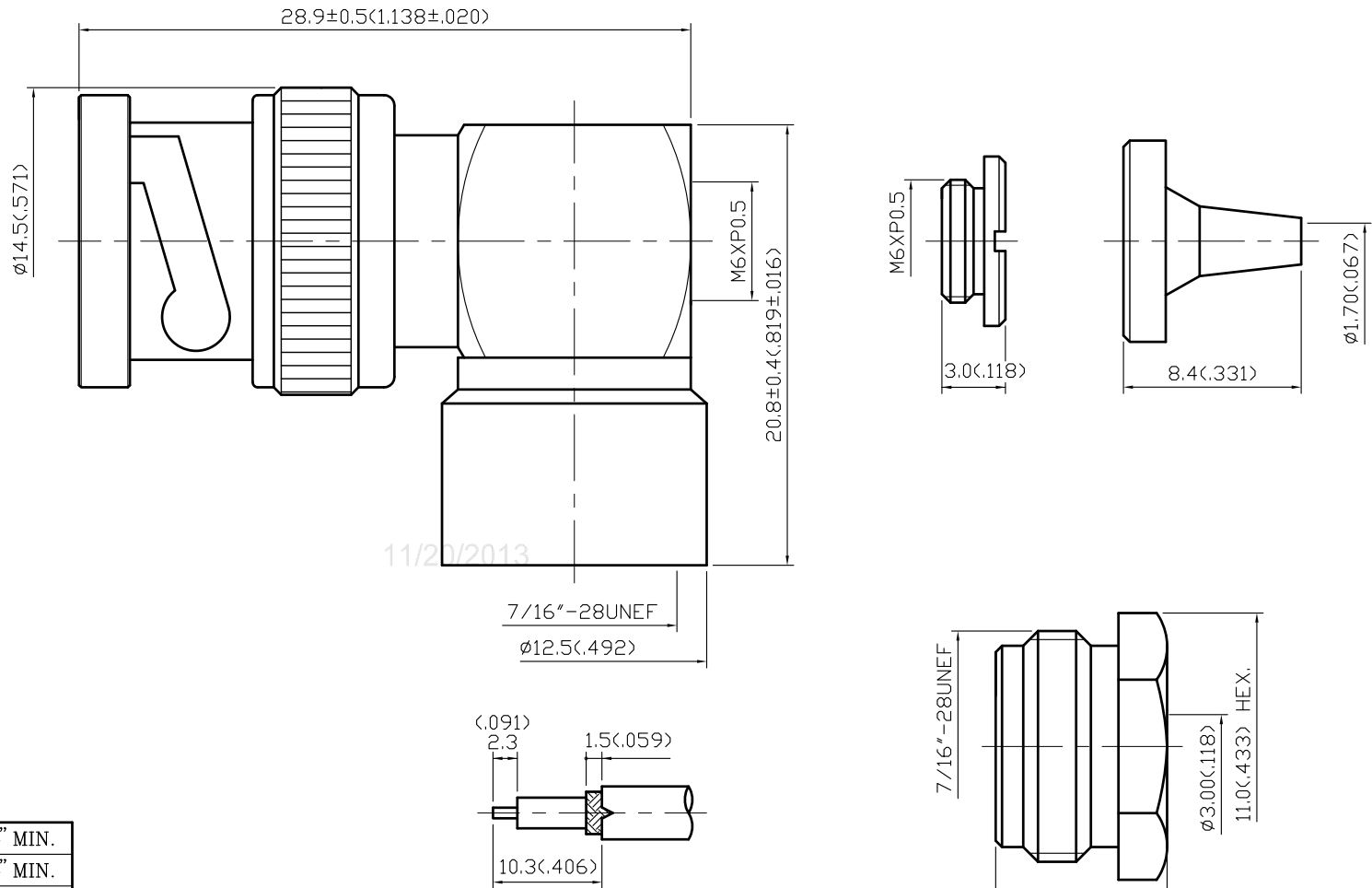


NO	DESCRIPTION	DATE
①	BACKGROUND FORMAT UPDATED	12.26.03'
②	BACKGROUND FORMAT UPDATED	08.17.10'
③	DEL. PROOF VOLTAGE WORKING VOLTAGE VOLTAGE RATING	11.20.13'



1.0 ELECTRICAL

- 1.1 FREQUENCY RANGE: DC-1 GHz
- 1.2 NOMINAL IMPEDANCE: 75 OHMS
- 1.3 VOLTAGE RATING: 500 VOLTS MAX. ③

2.0 MATERIALS

- 2.1 BODIES: BRASS PER JIS-C3604
- 2.2 CENTER CONTACT: BRASS PER JIS-C3604
- 2.3 INSULATION: TEFLON PER ASTM D1457 AND ASTM D1710

3.0 FINISHES AND OTHERS

3.1 SEE BELOW TABLE FOR DETAILS.

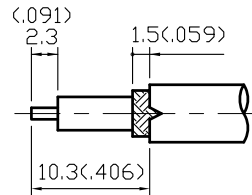
4.0 MECHANICAL

- 4.1 FOR USE WITH RG179U OR SIMILAR STYLE CABLE
- 4.2 CABLE ATTACHMENT: OUTER: CLAMP, INNER: SOLDER

5.0 ENVIRONMENTAL

5.1 OPERATING TEMPERATURE RANGE: -65° C TO +165° C

13	NUT II	BRASS	1	SILVER 70μ" MIN.
12	BRAID CLAMP	BRASS	1	SILVER 70μ" MIN.
11	CHASSIS	BRASS	1	SILVER 70μ" MIN.
10	NUT I	BRASS	1	SILVER 70μ" MIN.
9	BODY II	BRASS	1	SILVER 70μ" MIN.
8	CENTER CONTACT	BRASS	1	SILVER 70μ" MIN.
7	BODY I	BRASS	1	SILVER 70μ" MIN.
6	WASHER	BRASS	1	SILVER 70μ" MIN.
5	SPRING WASHER	SK-5	1	NICKEL
4	WASHER	BRASS	1	NICKEL
3	GASKET	SILICONE	1	RED
2	INSULATION	TEFLON	1	NONE
1	SHELL	BRASS	1	SILVER 70μ" MIN.
NO	DESCRIPTION	MATERIAL	Q'TY	FINISH



STRIPPING DIMENSION

APPROVED by _____ DATE: _____



DESCRIPTION		BNC RIGHT ANGLE PLUG CLAMP							
DRAWN	TOLERANCE	品名	13-06-2	T.S.S	179U	日期	DATE	版次	REV.
Kristina	.X ±0.2	TITLE	\ROHS COMPLIANT		(75Ω)	01.20.00'	01.20.00'	A-3	
CHECK	.XX ±0.1	單位	DWG.NO.		13-0511				
Arc	.XXX ±0.05	mm(in)							
APPROVAL	ANGLE ±5°	SCALE	4:1						
Angela		比例							