

# Features

## LED DRIVER

- Universal AC Input
- Constant Current Operation
- Suitable for High Brightness LED Products
- Built-In Active PFC Function
- Overvoltage-, Short Circuit- and Over-temperature Protection
- Built-In 3 in 1 Dimming
- IP67 Rated

### Selection Guide

Part Number	Output Voltage (VDC)	Rated Power (W)	Rated Current (mA)	Output Voltage Range (V)	Efficiency (typ.)
RACD60-4200A	12	50	420 - 4200	9 - 12	86%
RACD60-2500A	24	60	250 - 2500	15 - 24	86%
RACD60-1650A	36	60	165 - 1650	24 - 36	87%
RACD60-1200A	48	58	120 - 1200	33 - 48	88%
RACD60-1050A	57	60	105 - 1050	40 - 57	88%

### Specifications (measured at 230VAC and 25°C ambient temperature)

Input Voltage Range	90-305 VAC	
Input Frequency Range	47-63Hz	
Power Factor (Full Load)	120VAC	>0.98
	240VAC	>0.94
	277VAC	>0.92
DC Dimming	DC 1-10V	
PWM Dimming	Puls: Hi=10V Low=0V, Duty: 10% - 100%, Fsw 0.5 - 3KHz	
Resistance Dimming	10K - 100K Ω	
AC Input Current	100-240VAC	0.8A
	277VAC	0.4A
Inrush Current (Cold Start)	240VAC	70A
Leakage Current	<0.5mA / 240VAC	
Set Up Time (at Full Load)	<2000ms	
Isolation Voltage	3.75kVAC	
Short Circuit Protection	Hiccup	
Over Voltage Protection	12V	13.2 - 15.6V
	24V	26.4 - 31.2V
	36V	39.6 - 46.8V
	48V	52.8 - 62.4V
	57V	62.7 - 70V
Over Temperature Protection	105 ± 10°C	
	Type	Latch Mode
Vibration	10-500Hz, 2G, 60 Min. along X, Y and Z	
Storage Humidity	10% - 90% RH	
Operating Humidity	20% - 90% RH Non-Condensing	
Weight	420g	
Operating Temperature	-30°C to +50°C	
Storage Temperature	-40°C to +60°C	
Ripple & Noise	12V, 24V	200mV
(at 20MHz bandwidth using 0.1uF & 47uF capacitor)	36V, 48V, 57V	250mV
IP Rating	IP67	
Isolation Resistance	100MΩ / 500VDC at 25°C	
Dimension (L*W*H)	179*45.1*32.5mm	

**LIGHTLINE**  
AC/DC-Converter  
with 5 year Warranty

**RECOM**

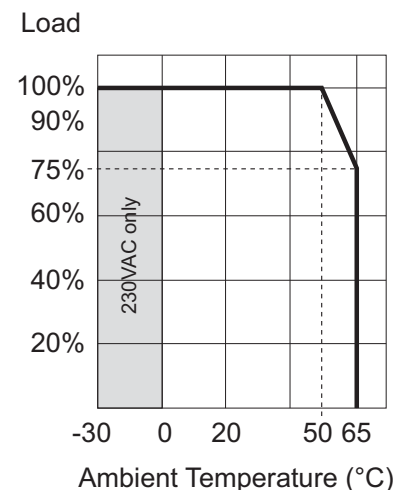
**60 Watt PFC  
Single  
Output**



**EN 61347-1 Certified  
EN 61347-2-13 Certified  
UL8750 Certified**

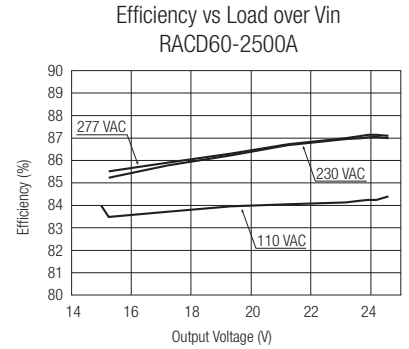
**RACD60-A**

**Derating-Graph**  
(Ambient Temperature)



**Specifications** (measured at 230VAC and 25°C ambient temperature)

Safety Standards	UL8750 EN61347-1 EN61347-2-13 EN61000-3-2 Class C EN61000-3-3 EN61000-4-2,3,4,5,6,8,11 EN61547 EN55015 FCC15
Design Lifetime	70 x 10 <sup>3</sup> hours max.
MTBF (+25°C)	using MIL-HDBK 217F 200 x 10 <sup>3</sup> hours min.



**3 in 1 Dimming Control (DC / PWM / Resistance)**

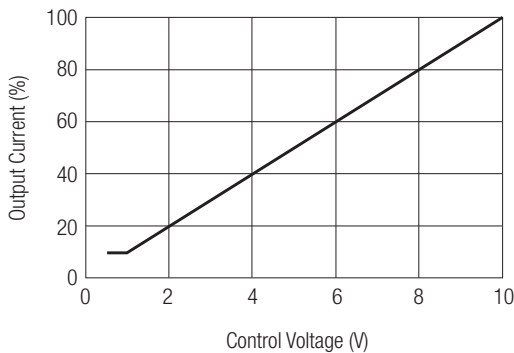
10K-100K Resistor Dimmable (Typical):

Resistor	Single-Driver	10K	20K	30K	40K	50K	60K	70K	80K	90K	100K
	Multi-Driver	10K/N	20K/N	30K/N	40K/N	50K/N	60K/N	70K/N	80K/N	90K/N	100K/N
	out (%)	10%	20%	30%	40%	50%	60%	70%	80%	90%	100%

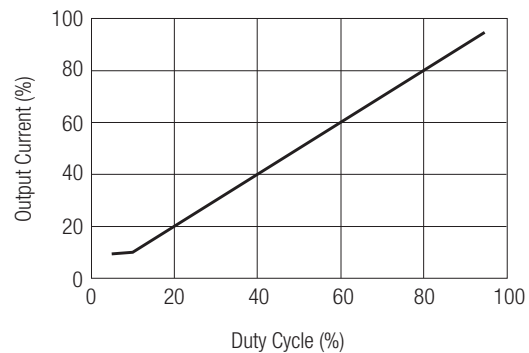
The length of extended wire for DIM+/- shall not exceed 20 meters. (wire  $\square$  20m)

N = The number of dimmer drivers should not exceed 15. (N  $\square$  15mS)

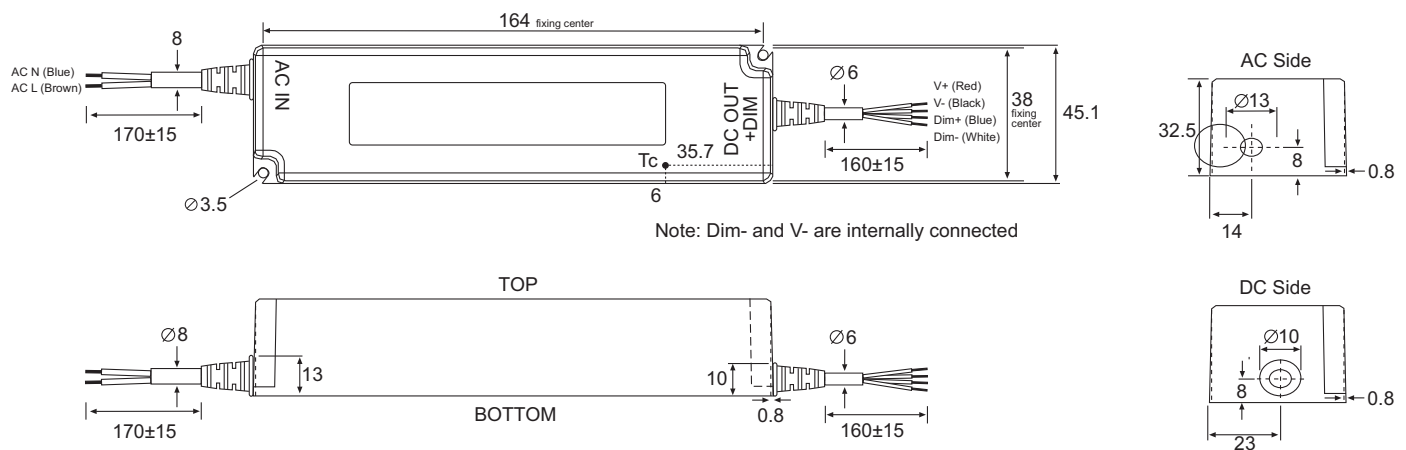
DC: 1-10V Dimmable (Typical)



DC: 10V / PWM Dimmable (Typical)



**Package Style & Pinning**



The product information and specifications are subject to change without prior notice. All products are designed for non-safety critical commercial and industrial applications. The Buyer agrees to implement safeguards that anticipate the consequences of any failures that might cause harm, loss of life and/or damage property.