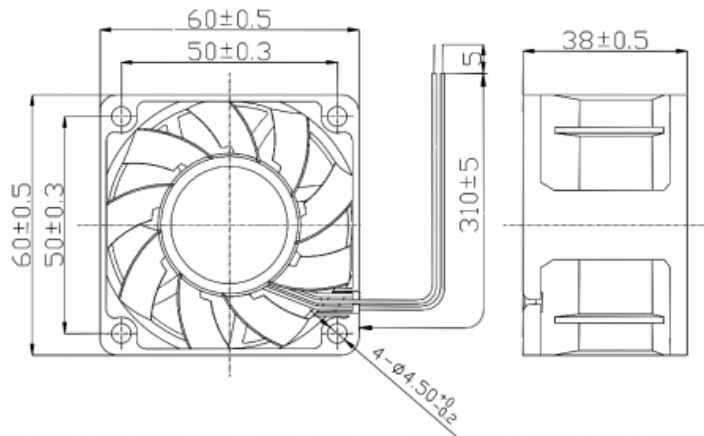


# Datasheet

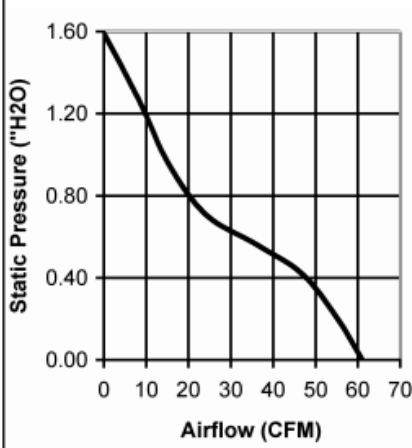
## DC Axial Fan

RS Stock number 703-3436

Dimensions: (mm)



## Specification

Frame & Impeller	PBT, UL94V-0 plastic	<b>Available Options</b> Tachometer (FG) Locked Rotor Alarm (RD) Thermal Control Other speeds and voltages available by special order	
Connection	2x Lead wires, Red(+), Black (-)		
Motor	Brushless DC, auto restart, polarity protected.		
Bearing System	Dual ball bearing		
Insulation Resistance	Min. 10M at 500VDC		
Dielectric Strength	1 minute at 500VAC / 1 second, max leakage 500 microamp		
Temperature Range	-10C ~ +70C		
Storage Temperature	-40C ~ +80C		
Life (L10)	50,000 hours (40C)		

RS Order number	7033436
Model Number	OD6038-12HB-VXC
Part Number	164141001
Nominal Voltage	12 VDC
Nominal Current	1.42 A
Rated Power	17 W
Rated Speed (RPM)	10000
Airflow (CFM)	61
Noise Level (dB)	64
Max. Static Pressure	1.59