

# Product Information



## IFP250x50-Ø20

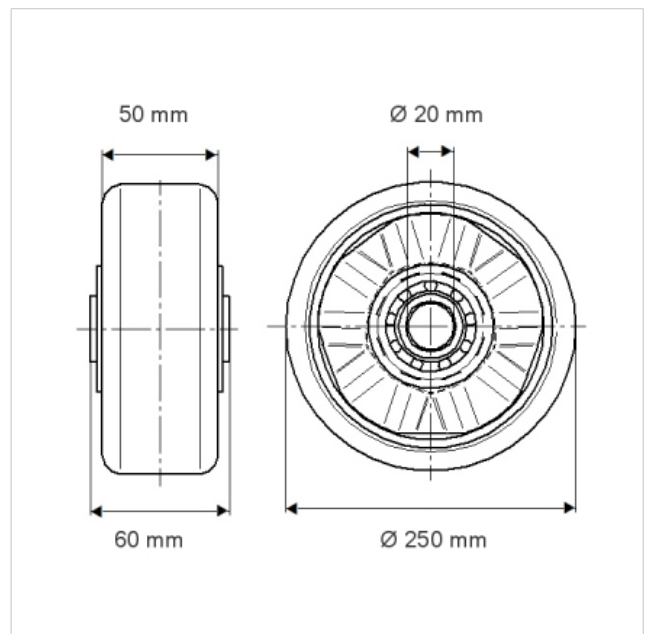
EAN 4031582366280

Wheel centre made of Aluminium, Tread: elastic-tyre, non-marking, vulcanized, precision ball bearing

Technical Data	
Wheel diameter	250 mm
Width of Tread	50 mm
Axle Hole-Ø	20 mm
Hub length	60 mm
Temperature	- 20 / + 85 °C
Standard	EN 12532
Hardness of tread	A 67 Shore
Load capacity	500 kg
Load capacity (static)	1000 kg



Roll performance	+	+	+	+	+
Movement noise	+	+	+	+	+
Attrition	+	+	+	+	+
Corrosion resistance	+	+	+	+	+



# Product Information



## IFP250x50-Ø20

EAN 4031582366280

