

Datasheet

Leveling Castor – RS



ISO view



Side view

Bracket

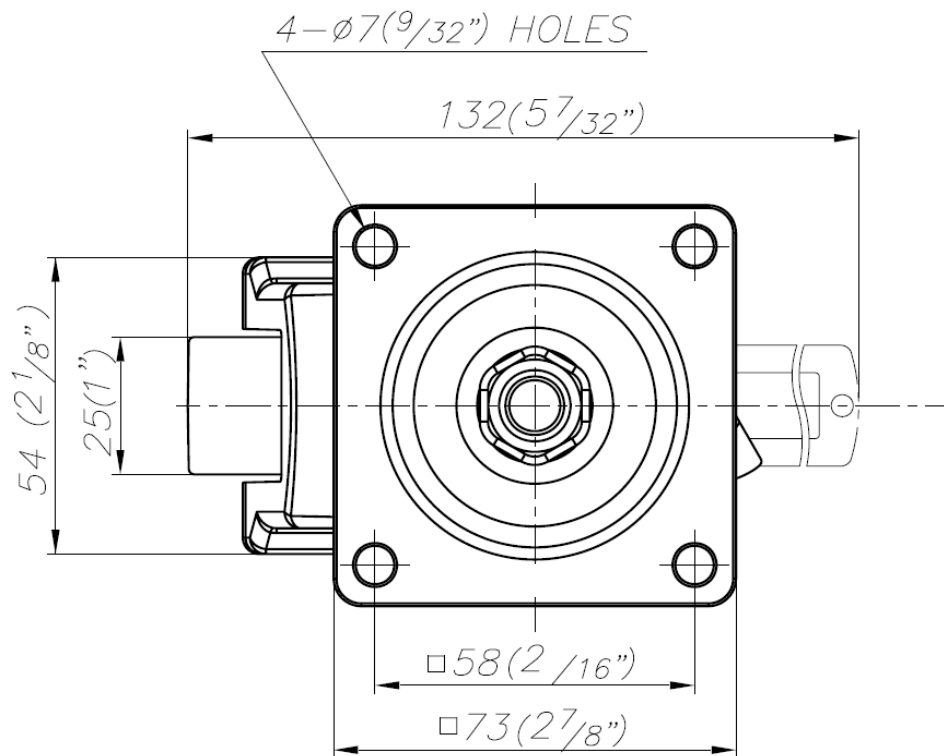
- ▶ Pressed steel plate with khaki powder coating
- ▶ Aluminum die-casting bracket with bi-level balls upon ball seats in the swivel head
- ▶ Built-in ratchet handle, wide back access to level
- ▶ NBR resin cushion to stand, anti-vibration function
- ▶ Ivory texture powder coating and zinc-galvanized

Wheels

- ▶ High quality nylon
- ▶ High abrasion resistance, shock and impact-resistant, corrosion-resistant, high chemical resistance to alcohol, salts and certain acids, black color
- ▶ No bearing

Technical Data

Wheel Diameter	50 mm
Width of Tread	25 mm
Hardness of Tread	70 Shore D
Size of Plate	73 x 73 mm
Plate Hole Centers	58 x 58 mm
Plate Hole	7 or 8.5 mm
Leveling Extent	10 mm
Offset	36 mm
Overall Height	82 mm
Temperature	-10 ~ +90°C
Load Capacity / 1pcs	250 kg
Load Capacity / 4pcs	500 kg



ENGLISH

