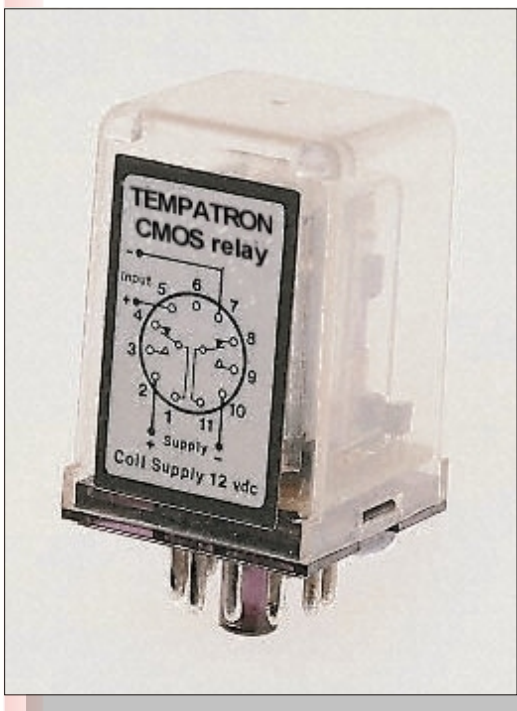


HIGH SENSITIVITY RELAYS

HIGH SENSITIVITY CMOS RELAYS



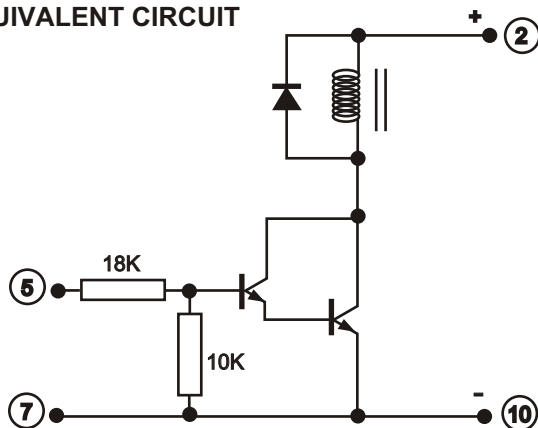
- High sensitivity input circuit
- 2 pole changeover relay output
- Ideal for use with CMOS devices
- Available with 12V or 24V relays

A darlington pair in the input circuitry gives these relays very sensitive input switching, making them ideal for use with CMOS devices. They have a wide input voltage range & very low current requirement.

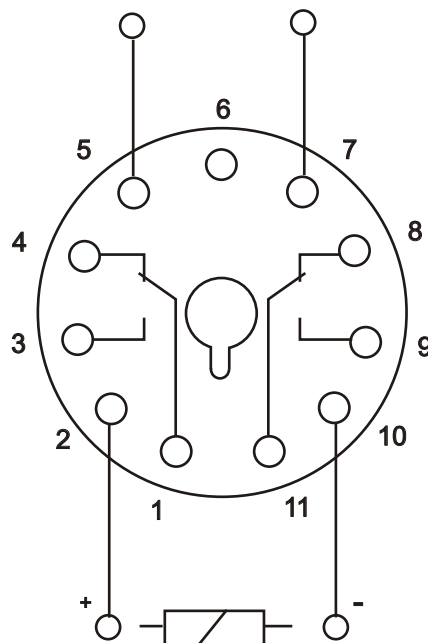
SPECIFICATION

Output : 2 pole changeover relay
 Contact rating : 10 Amps @ 240Vac or 20Vdc
 Contact material : Ag
 Input current : 125µA @ 3.5V
 240µA @ 5V
 800µA @ 15V
 1.75mA @ 50V
 Coil voltage : 9-15Vdc (12V), 18-30Vdc (24V)
 Max coil current : 75mA (12V), 37mA (24V)
 Max input voltage : 50Vdc
 Min input voltage : 3.5Vdc
 Operating temp : 0 to 50°C

EQUIVALENT CIRCUIT

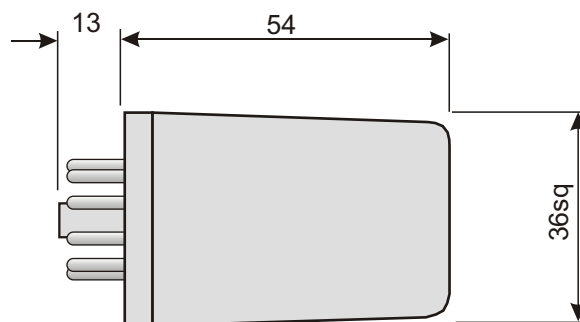


WIRING DIAGRAM



COIL SUPPLY 12 or 24Vdc
 PINS VIEWED FROM BOTTOM

DIMENSIONS



STANDARD ITEMS

Relay voltage	Part Number
12Vdc	HSR-12VDC
24Vdc	HSR-24VDC
Panel mounting socket	AZ511
DIN rail mounting socket	AZ611