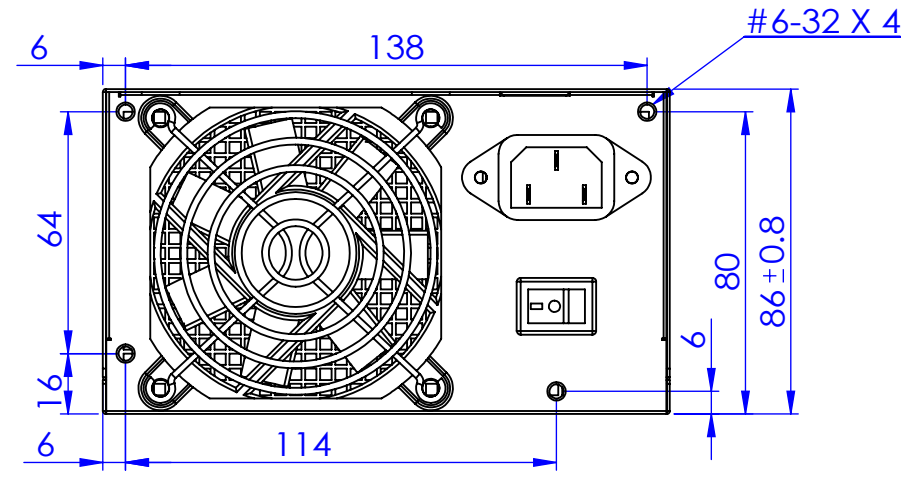
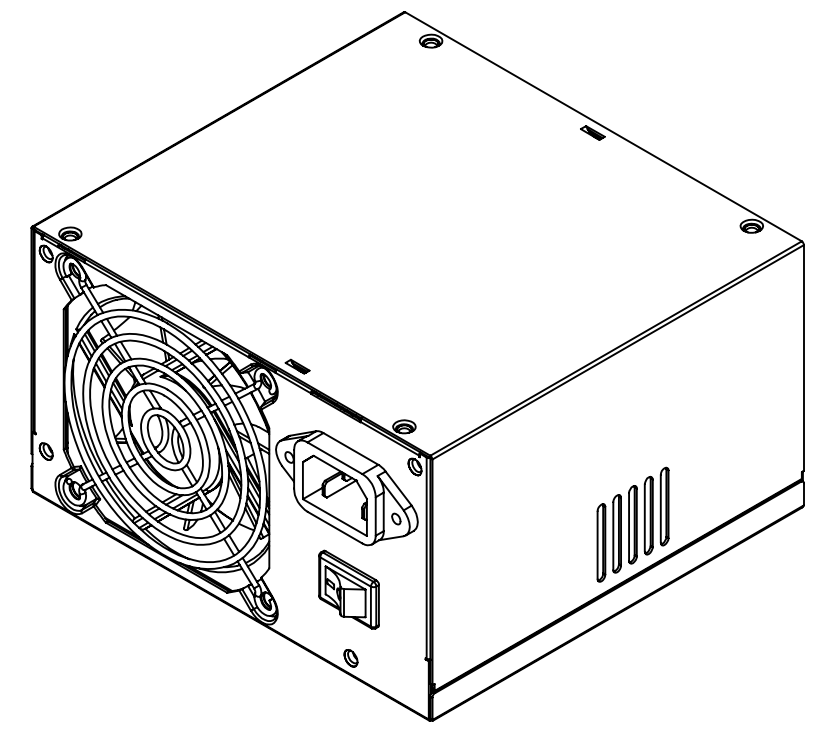
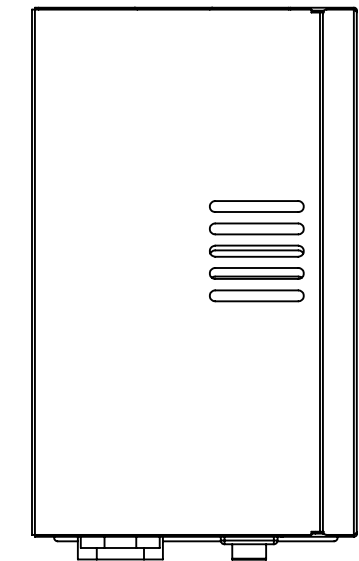
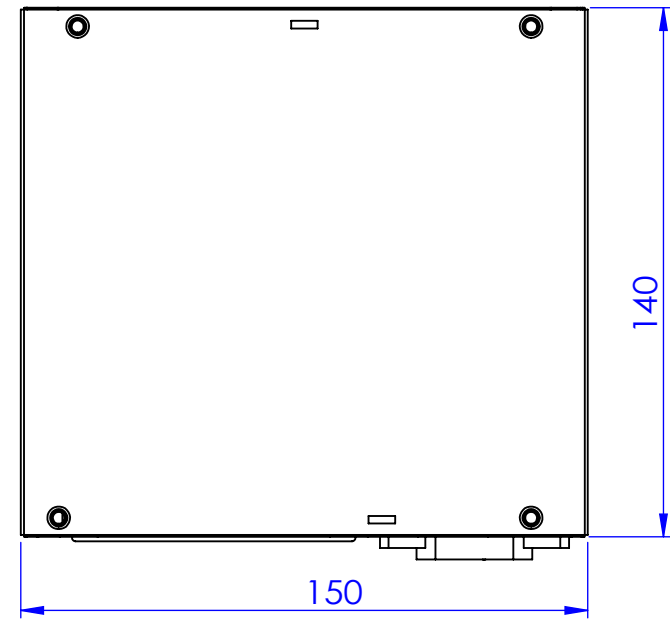
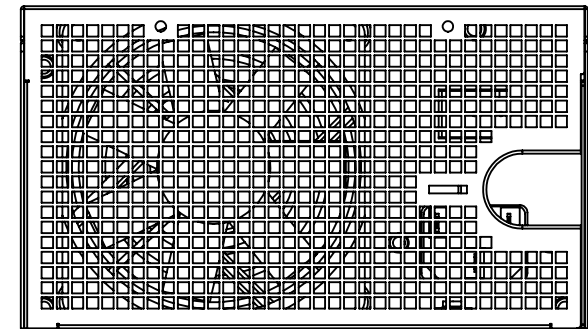
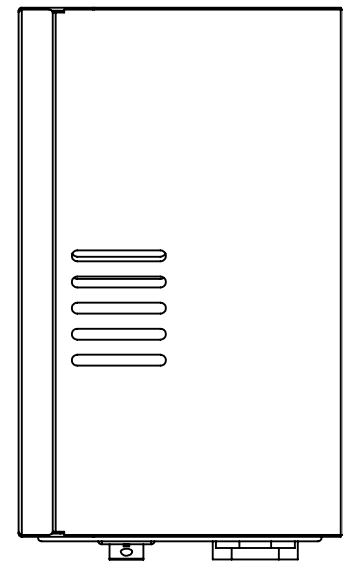


D  
C  
B  
A

D  
C  
B  
A



A

A

DESIGN CHANGE		
ITEM	REASON OF CHANGE	DESCRIPTION

RANGE	COMMON TOLERANCE TABLE			
	-<A>-	-<B>-	-<C>-	-<D>-
< 8	±0.05	±0.1	±0.2	±0.4
8~25	±0.08	±0.15	±0.3	±0.5
25~80	±0.12	±0.25	±0.5	±1.0
80~250	±0.25	±0.4	±0.8	±1.5
250~800	±0.5	±0.8	±1.5	±3.0
800~2500	±1.0	±1.5	±3.0	±6.0
ANGULAR	±0.15°	±0.3°	±0.5°	±0.8°

		<b>SEA SONIC ELECTRONICS Co., Ltd.</b>			
PART NO	ES	SCALE	1:2	APPROVE BY	
PART NAME		UNITS	M/M	DATE	2009/9/24
MODEL NO		MATERIAL	SECC	PROJECTION	
PAHT					