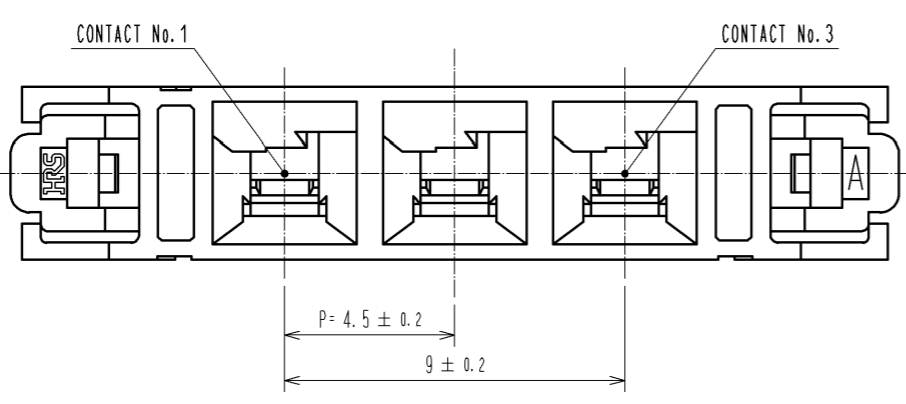
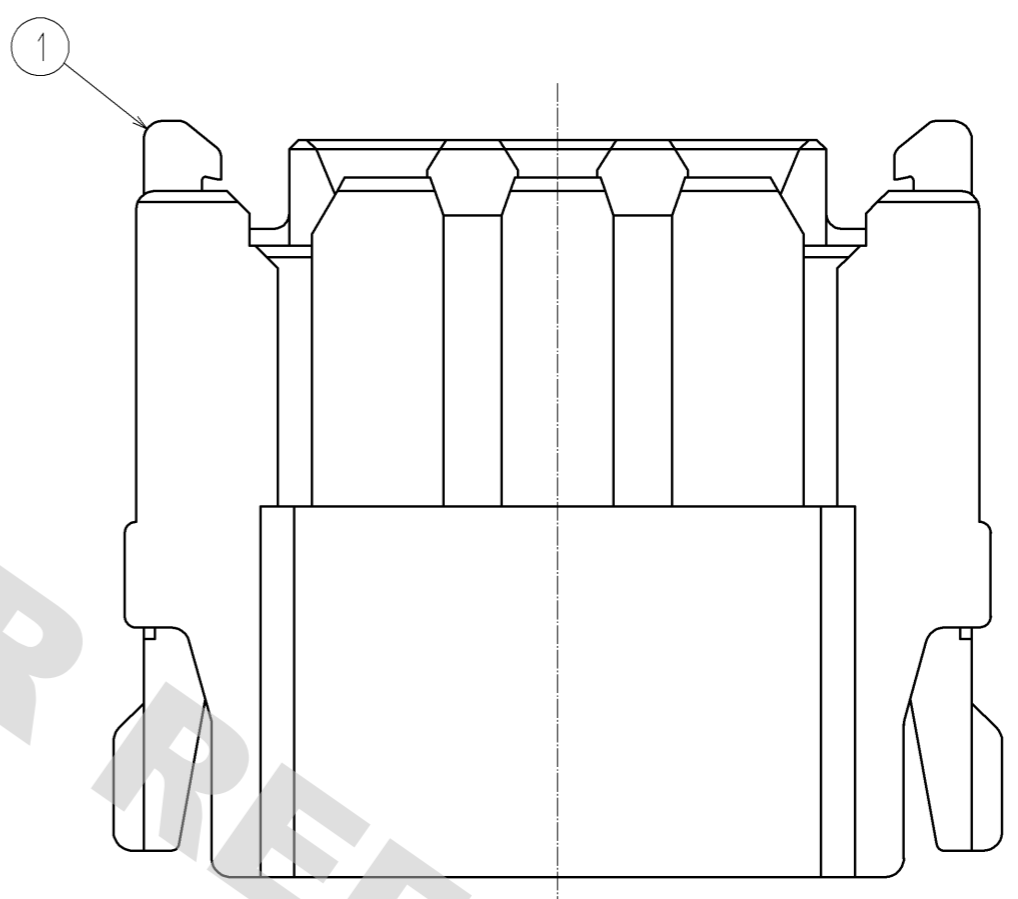
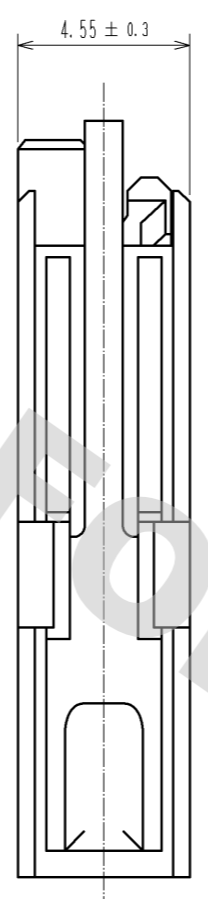
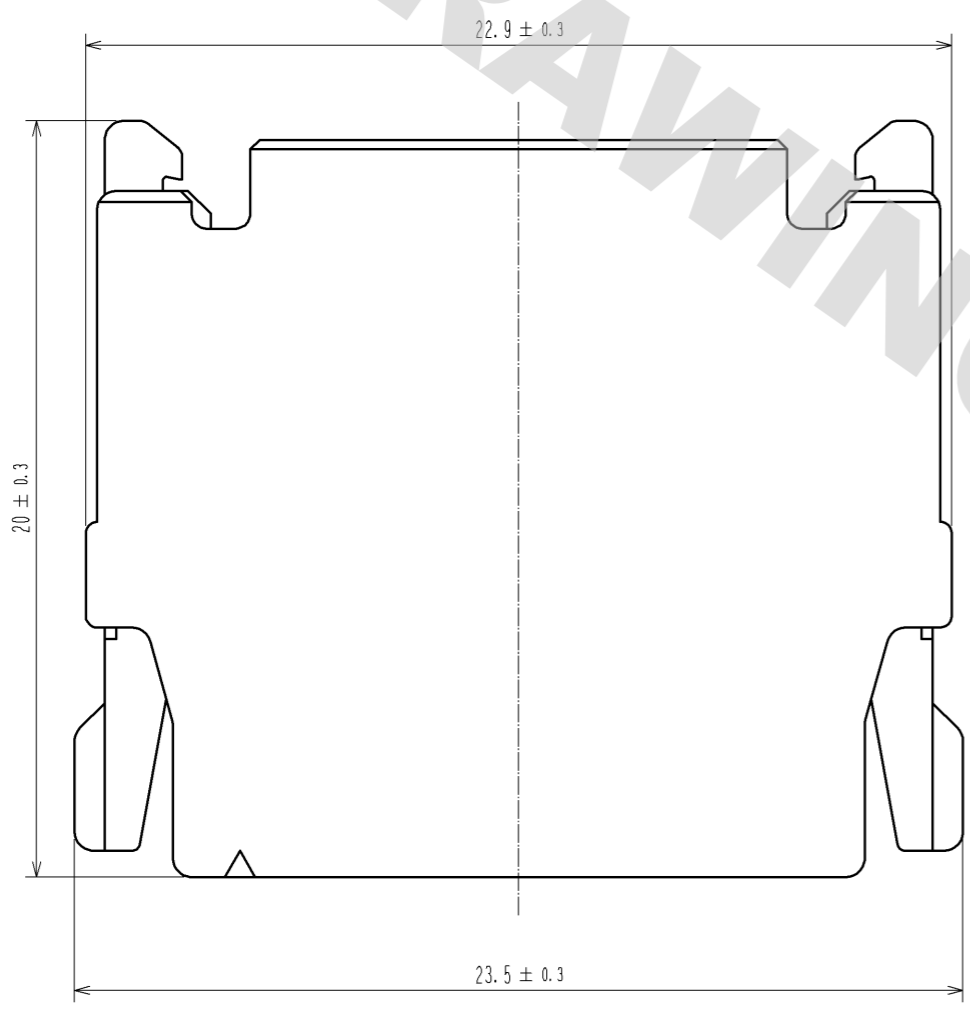
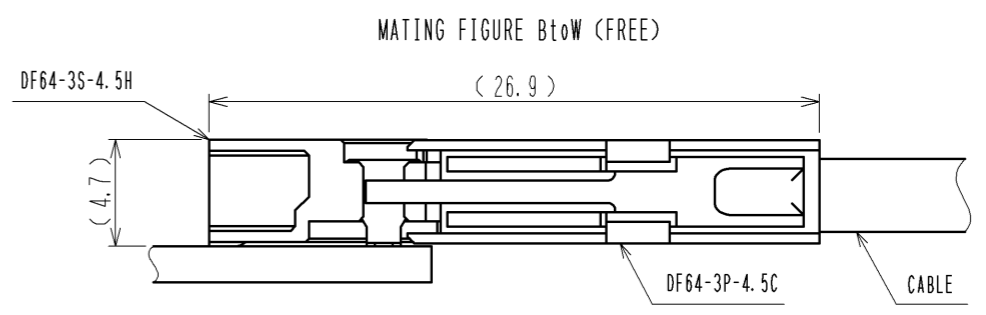
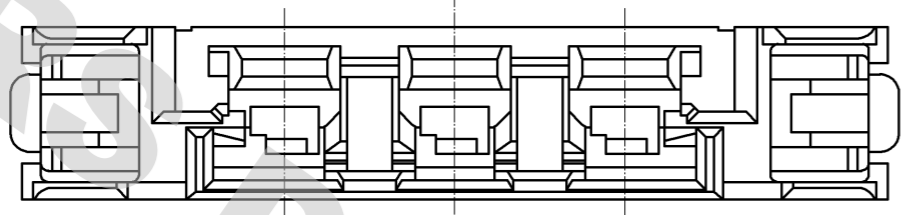


DRAWING FOR REFERENCE: This is subject to change without notice
12/05/2013



NOTE 1. () IS REFERENCE DIMENSION.
 2. REFER TO THE DF64 SERIES MATING/UNMATING OPERATION INSTRUCTION MANUAL (ETAD-H0748) FOR THE OPERATING OF THE PRODUCT.
 3. UL/c-UL(FILE NO. E52653) APPROVED PRODUCT.



1	LCP	NATURAL, UL94V-0
NO.	MATERIAL	FINISH, REMARKS

UNITS mm		SCALE 5 : 1	COUNT 1	DESCRIPTION OF REVISIONS DIS-H-008326	DESIGNED TS. MIYAKI	CHECKED OM. MIYAMOTO	DATE 13.11.25
HRS HIROSE ELECTRIC CO., LTD.		APPROVED : KI. AKIYAMA 13.08.19	DRAWING NO. EDC3-347655-00				
		CHECED : OM. MIYAMOTO 13.08.09	PART NO. DF64-3P-4.5C				
		DESIGNED : TS. MIYAKI 13.08.09	CODE NO. CL667-1007-2-00				
		DRAWN : TS. MIYAKI 13.08.09					