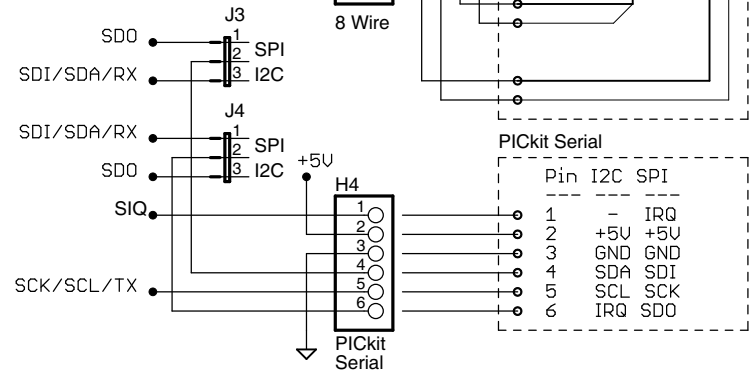
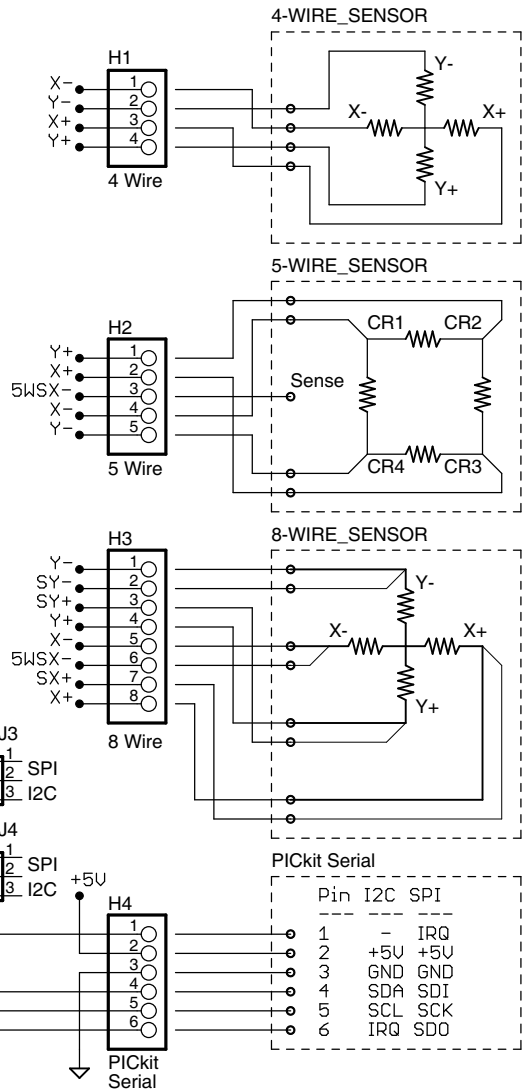


Note 1: If J2 is set for a 4/8-wire sensor, then the selection of 4-wire or 8-wire is made via a software configured register.



 **Microchip Technology, Inc.**

TITLE: AR1000 Development Kit
Resistive Touch Screen Controller

Document Number: **03-02125**

REV:
R2

Date: 4/29/2009 5:19:34 AM

Sheet: 1/1



AR1000 DevKit Controller - Bill Of Materials # 02-02125 ver. R2

Designator	Quantity	Value	Description	Manufacturer	OEM	Equiv. Allowed
					Part Number	
C1	1	10 uF	Cap Cer 10uF 20% 6.3V X7R 0603	AVX	06036D106MAT2A	✓
C2	1	0.1 uF	Cap Cer 0.1uF 10% 16V X7R 0603	AVX	0603YC104KAT2A	✓
C3, C4, C5	3	0.01 uF	Cap Cer 0.01uF 10% 50V X7R 0603	AVX	06035C103KAT2A	✓
D1, D2, D3, D4, D5, D6, D7, D8	8	130 W	Diode Bidir 130V ESD Protect SOD323	NXP	PESD5V0S1BA	✓
D9	1		LED 468nm Blue Clear 0603	Lite-On	LTST-C190TBKT	✓
R1	1	20K ohm	Res 20 Kohm 1/10W 5% 0603	Yageo America	RC0603JR-0720KL	✓
R2	1	4.7K ohm	Res 4.7 Kohm 1/10W 5% 0603	Yageo America	RC0603JR-074K7L	✓
U1	1		Touch Controller I2C/SPI 20-QFN	Microchip	AR1020-I/ML	
J1/J2, J3/J4	2		Conn Header 2mm Dual Str 6pos	Sullins	PRPN032PAEN-RC	✓
JP1, JP2, JP3, JP4	4		Conn Shunt 2mm Open Top 2ps Gold	Sullins	SPN02SYBN-RC	✓
H1	1		Conn Header 0.1" Single Right Angle 4pos	Sullins	PEC04SBAN	✓
H1-ZIF	1		Conn FFC/FPC 4pos 1mm Side Ent Thru-Hole	JST	04FM-1.0ST(LF)(SN)	✓
H2	1		Conn Header 0.1" Single Right Angle 5pos	Sullins	PEC05SBAN	✓
H3	1		Conn Header 0.1" Single Right Angle 8pos	Sullins	PEC08SBAN	✓
H4	1		Conn Header 0.1" Single Right Angle 6pos	Sullins	PEC06SBAN	✓
PCB	1		Printed circuit board	Custom	na	

