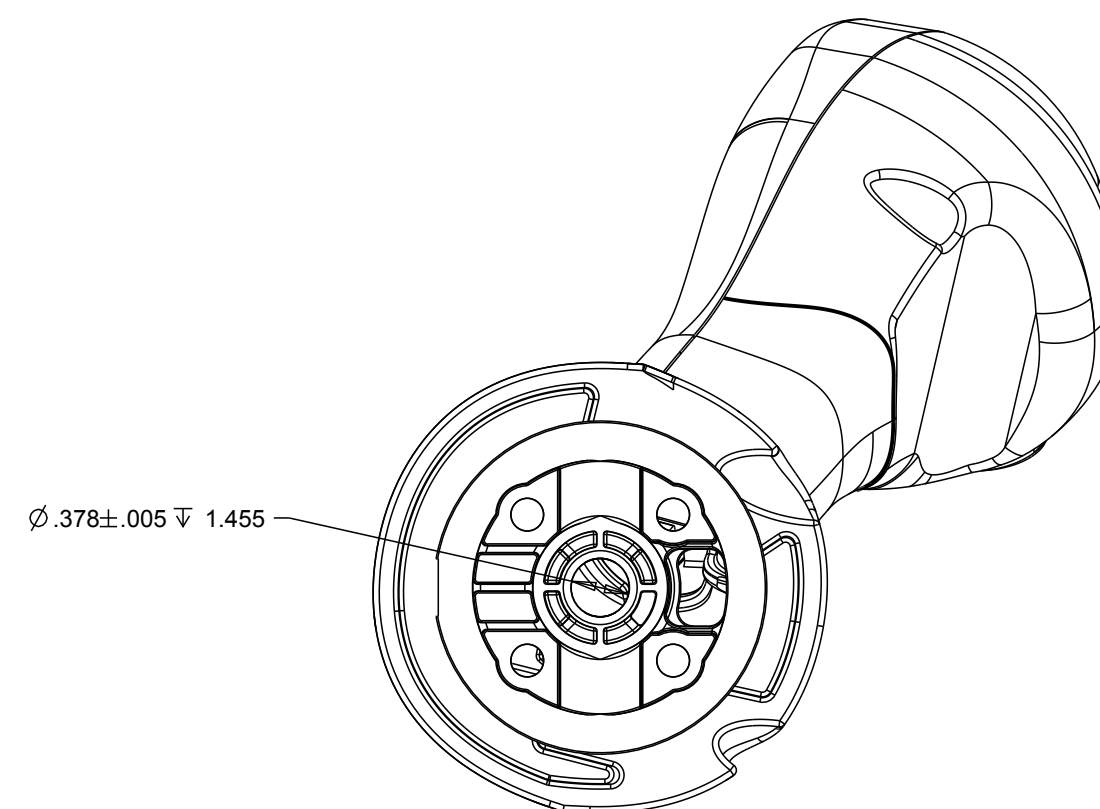
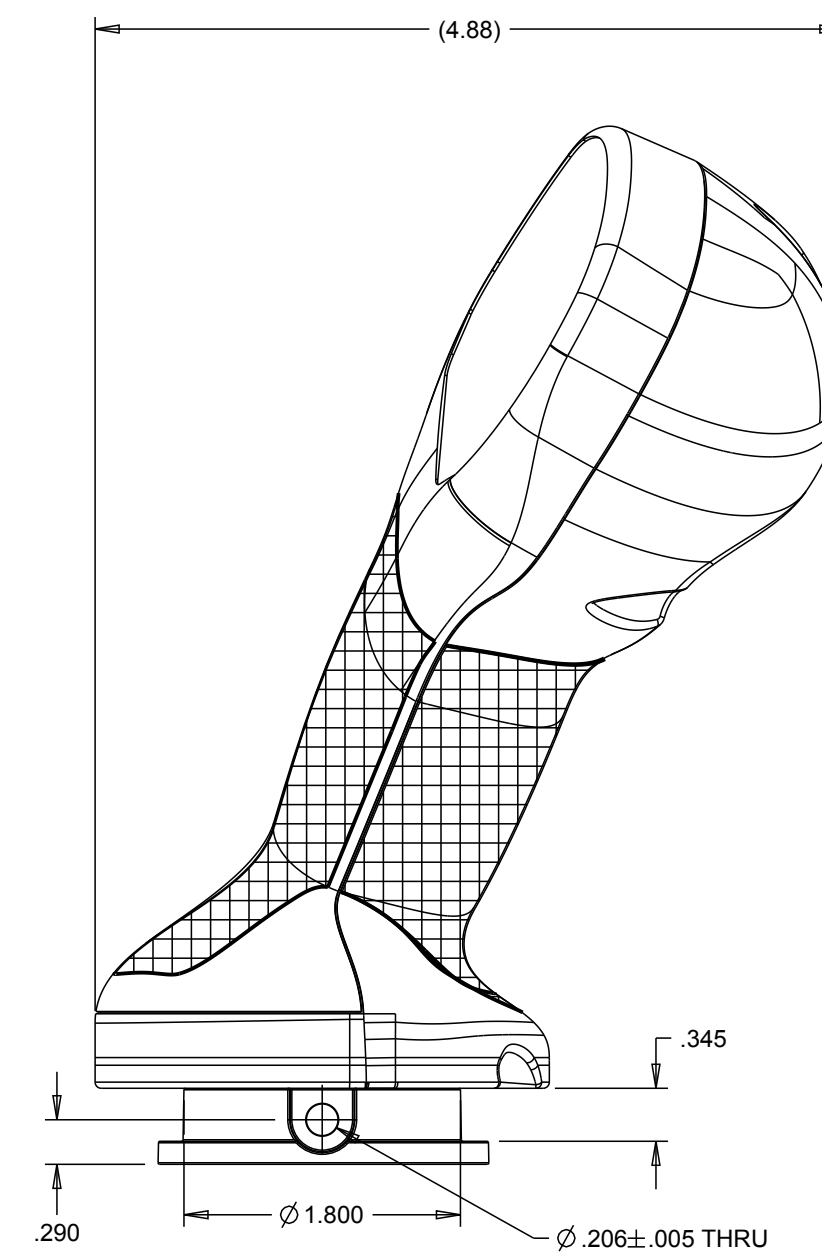
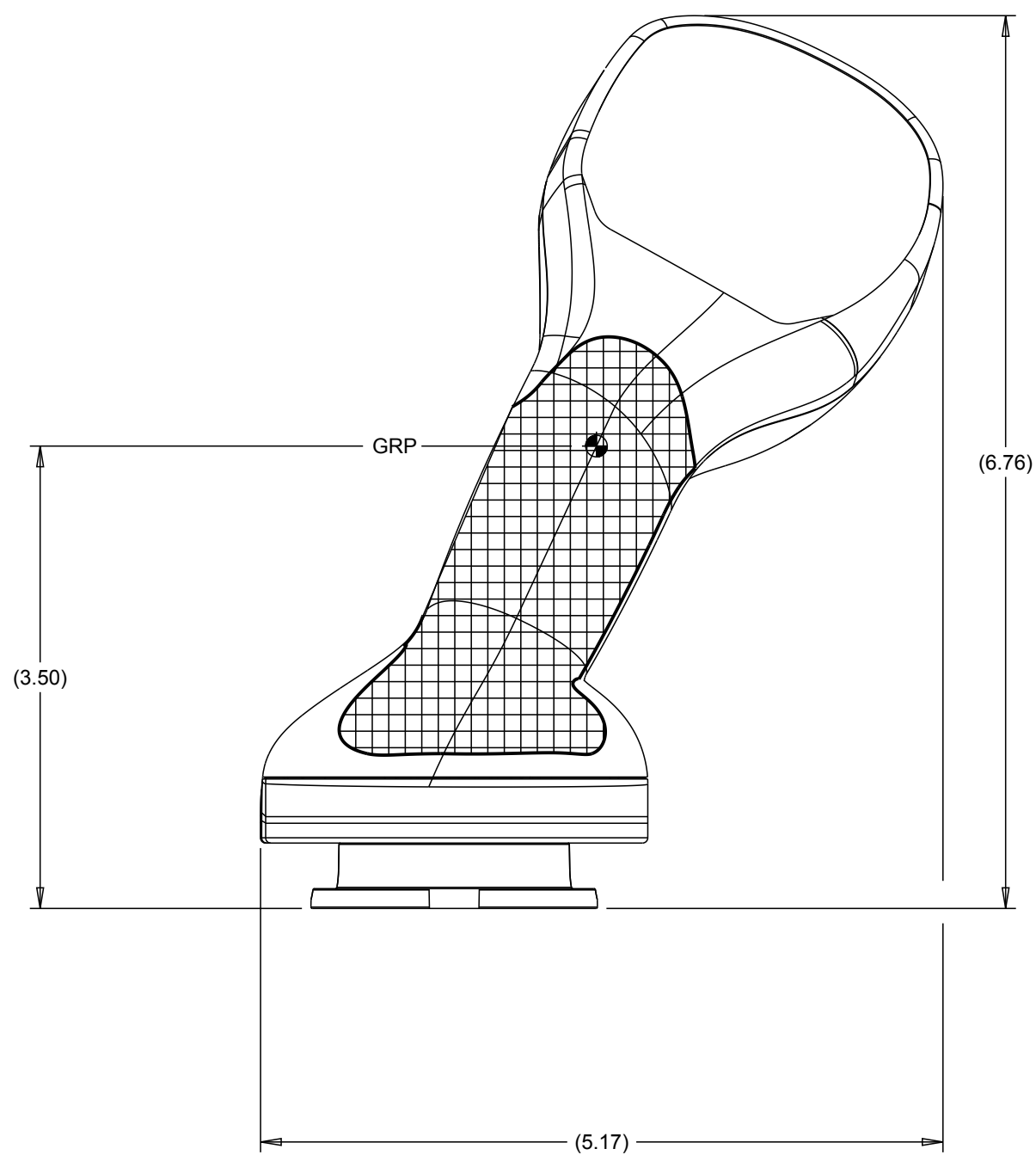
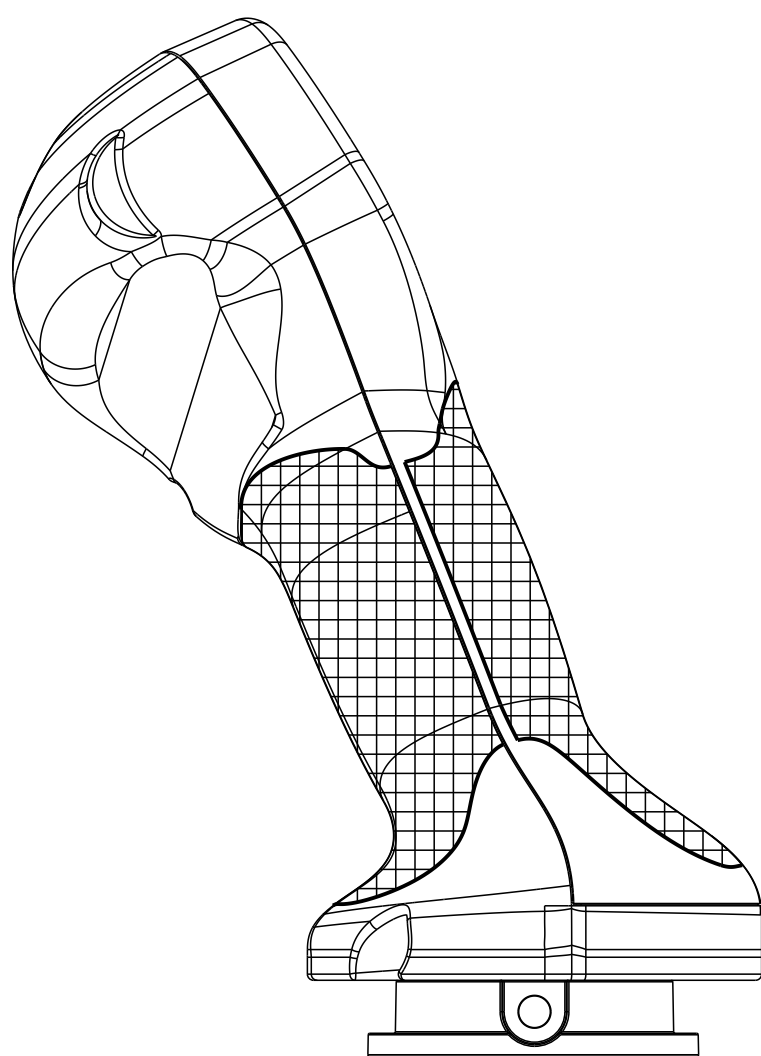


NOTES:

1. THIS PART/PRODUCT IS TO BE MANUFACTURED WITH THE APPLICABLE REGULATIONS OF EC DIRECTIVES 2002/95/EC AND 2002/96/EC, RESTRICTION OF THE USE OF HAZARDOUS SUBSTANCES IN ELECTRICAL AND ELECTRONIC EQUIPMENT (RoHS) AND WASTE ELECTRICAL AND ELECTRONIC EQUIPMENT (WEEE).
2. PACKAGING:
PLACE GRIP ASSEMBLY INTO PLASTIC BAG,
PLACE LABEL ON BAG.
3. ID LABEL: APPLIED ON INSIDE OF GRIP HEAD.
MARKING ON LABEL INCLUDES:
OTTO
OTTO P/N, DATE CODE
4. GRIP MATERIAL: GLASS FILLED POLYCARBONATE
MT11030 TEXTURE, HATCHED AREA MT11080, BLACK

G3-0392

REV	OCN #	DATE	APR
2	067969	30 OCT 12	KI



UNLESS OTHERWISE SPECIFIED:
DIMENSIONS ARE IN INCHES.
TOLERANCES:
.XX ±.03
.XXX ±.010
ANGLES ±2°
DO NOT SCALE

- MANUFACTURING
- ▲ SPC
- Ⓢ SPECIAL REQUIREMENT

OTTO
CARPENTERSVILLE, ILLINOIS USA

THIS DOCUMENT IS THE CONFIDENTIAL PROPERTY OF OTTO ENGINEERING, INC.. IT IS NOT TO BE USED IN ANY WAY DETRIMENTAL TO THE INTERESTS OF OTTO ENGINEERING, INC..

DESCRIPTION		G3, FOX GRIP, LEFT NO SWITCHES	
DRWN. VAI	SIZE	FSCM NO	DRAWING NO.
CHKD. KS	C	21649	G3-0392
APPD. AH			
THIRD ANGLE PROJECTION		SCALE 3:4	Sheet 1 OF 1

REV. 2