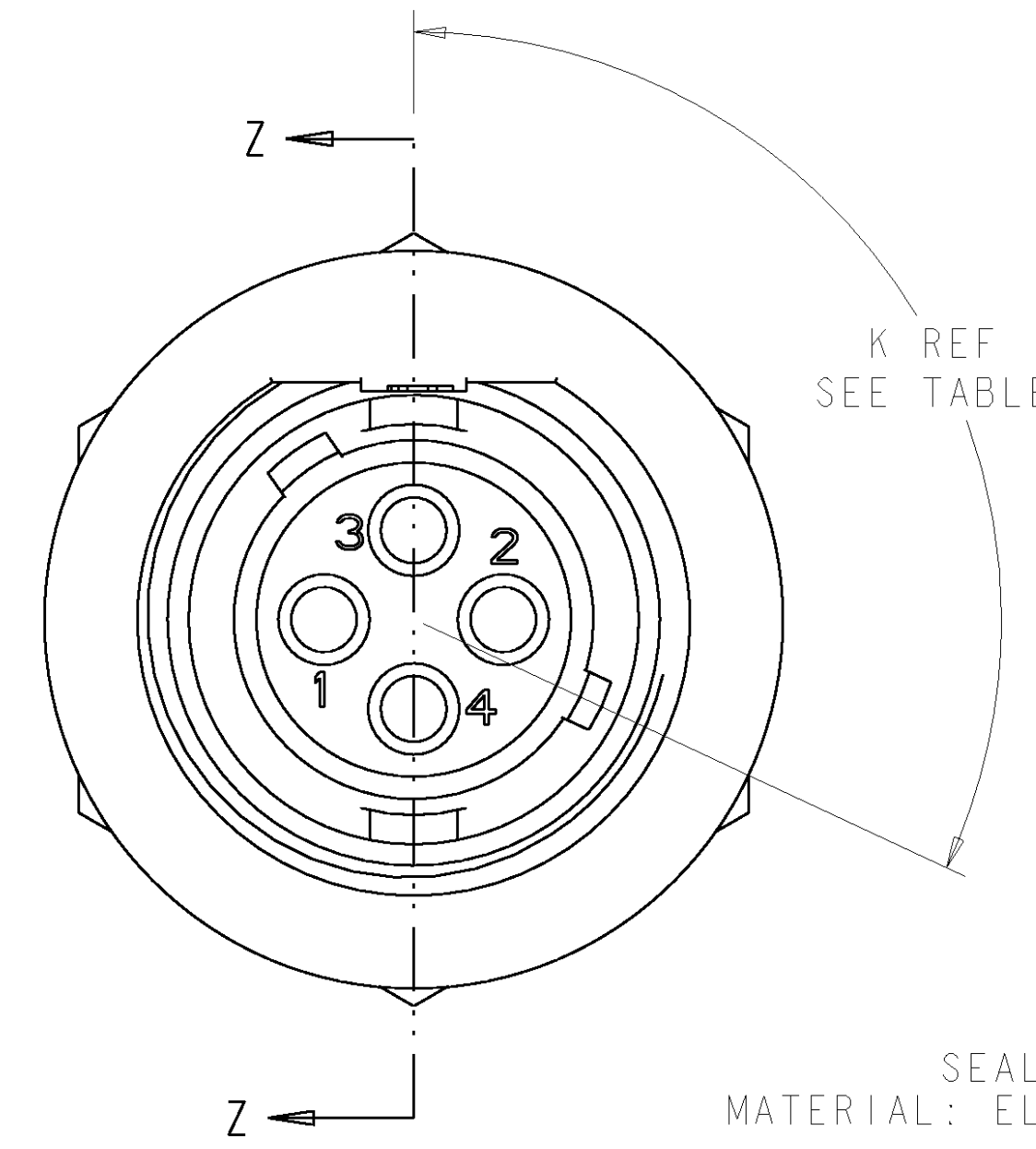
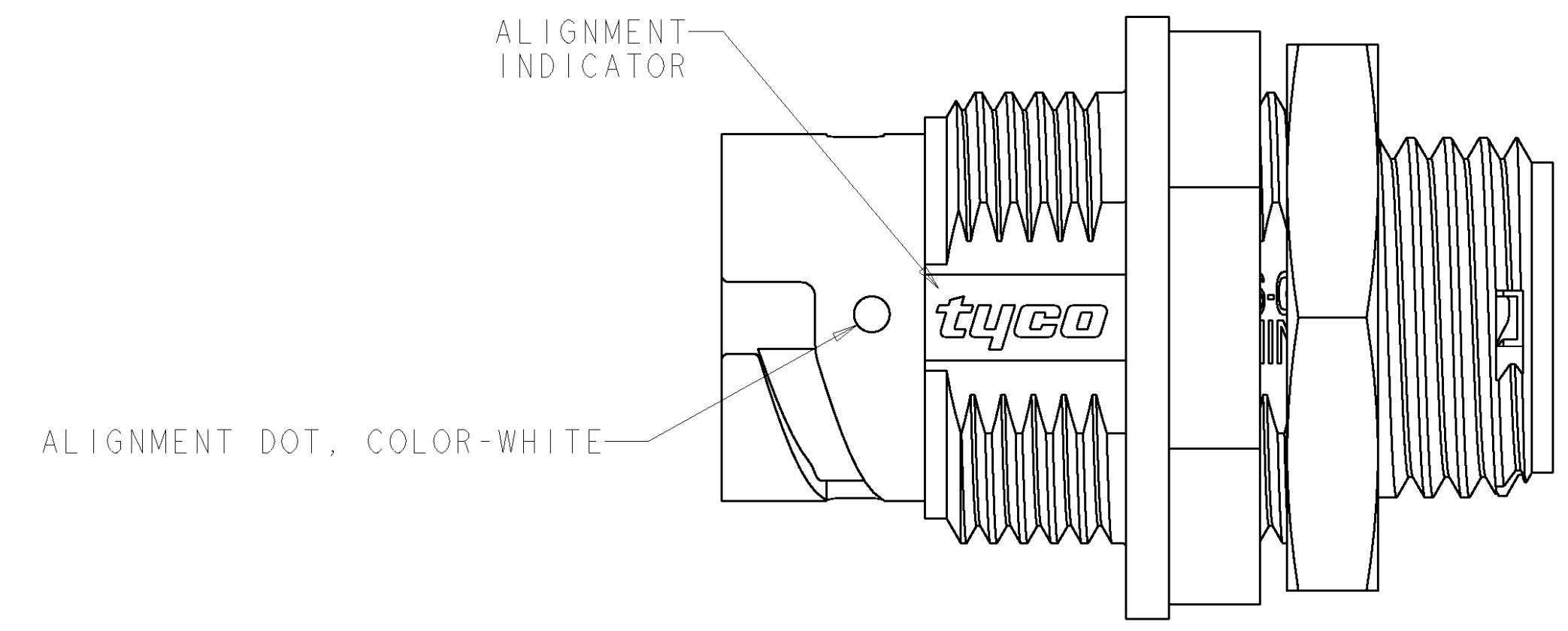
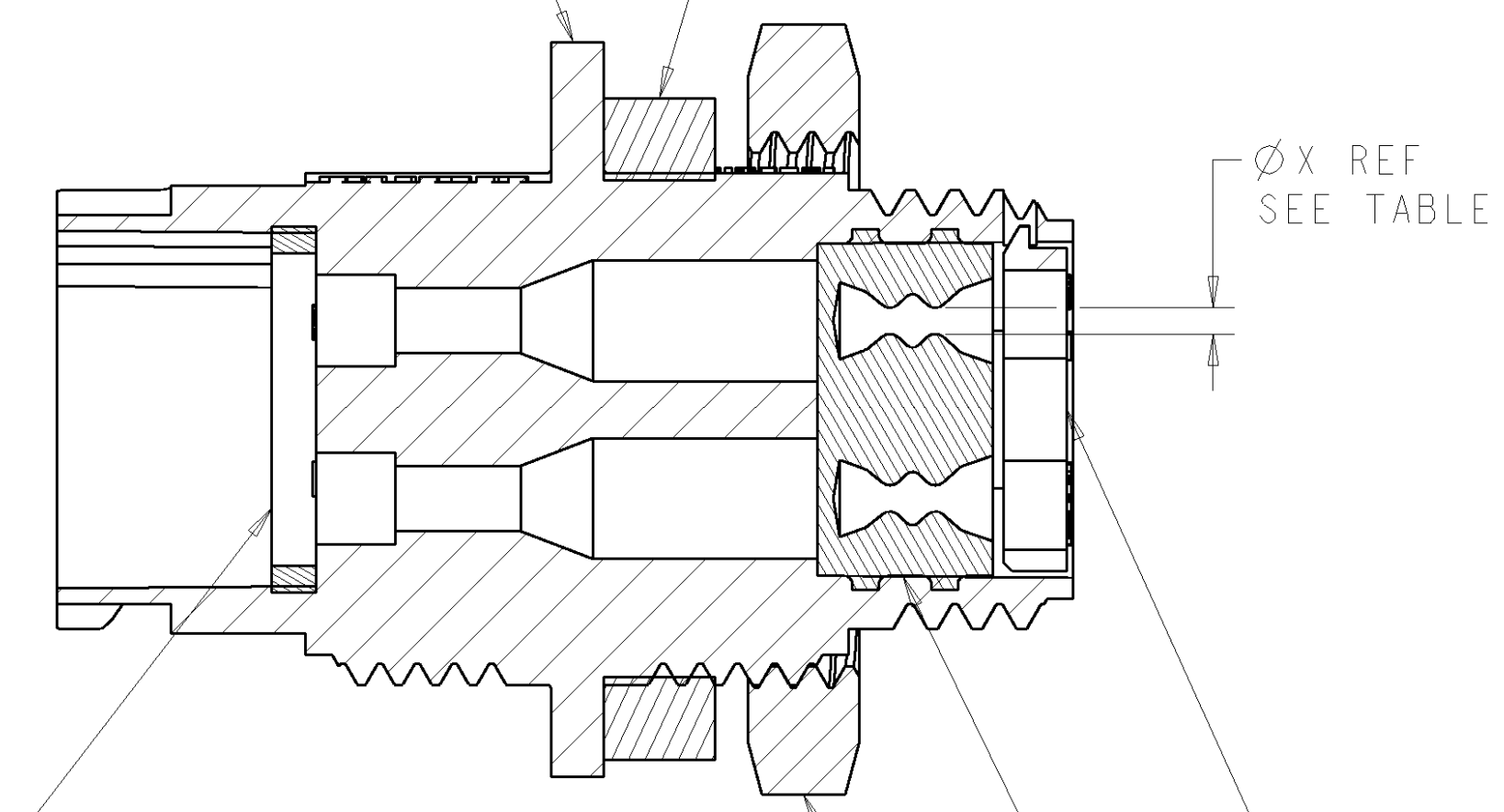


LOC		DIST		REVISIONS			
FT	0	P	LTR	DESCRIPTION	DATE	DWN	APVD
		A		RELEASED EC 0638-0362-03	12JUN2003	SW	HW



HOUSING, RECEPTACLE; QTY-1
 MATERIAL: THERMOPLASTIC, COLOR-BLACK

SEAL, PANEL; SHOWN FOR REFERENCE ONLY, TO BE ORDERED SEPARATELY, PART #1445420-01



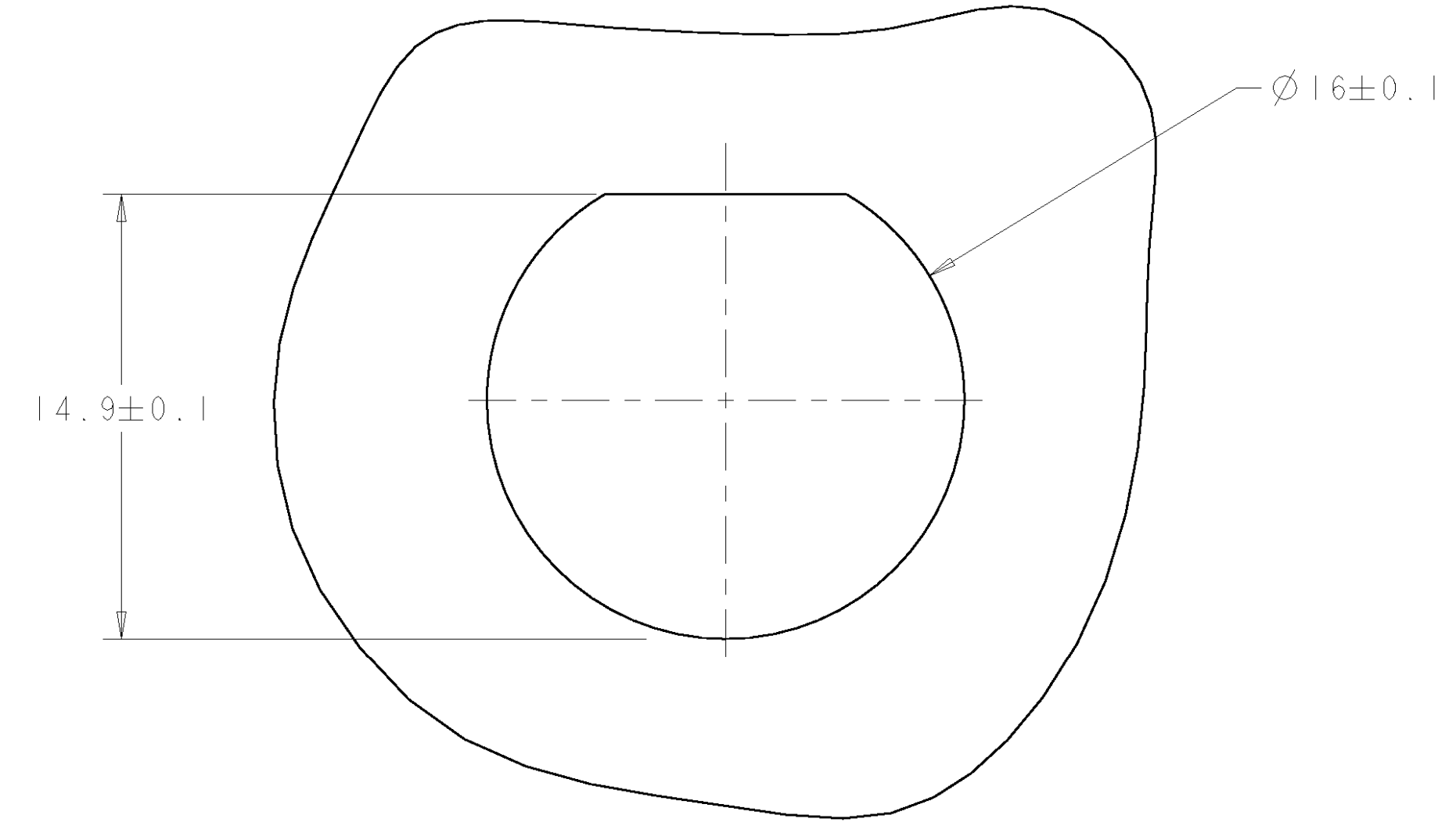
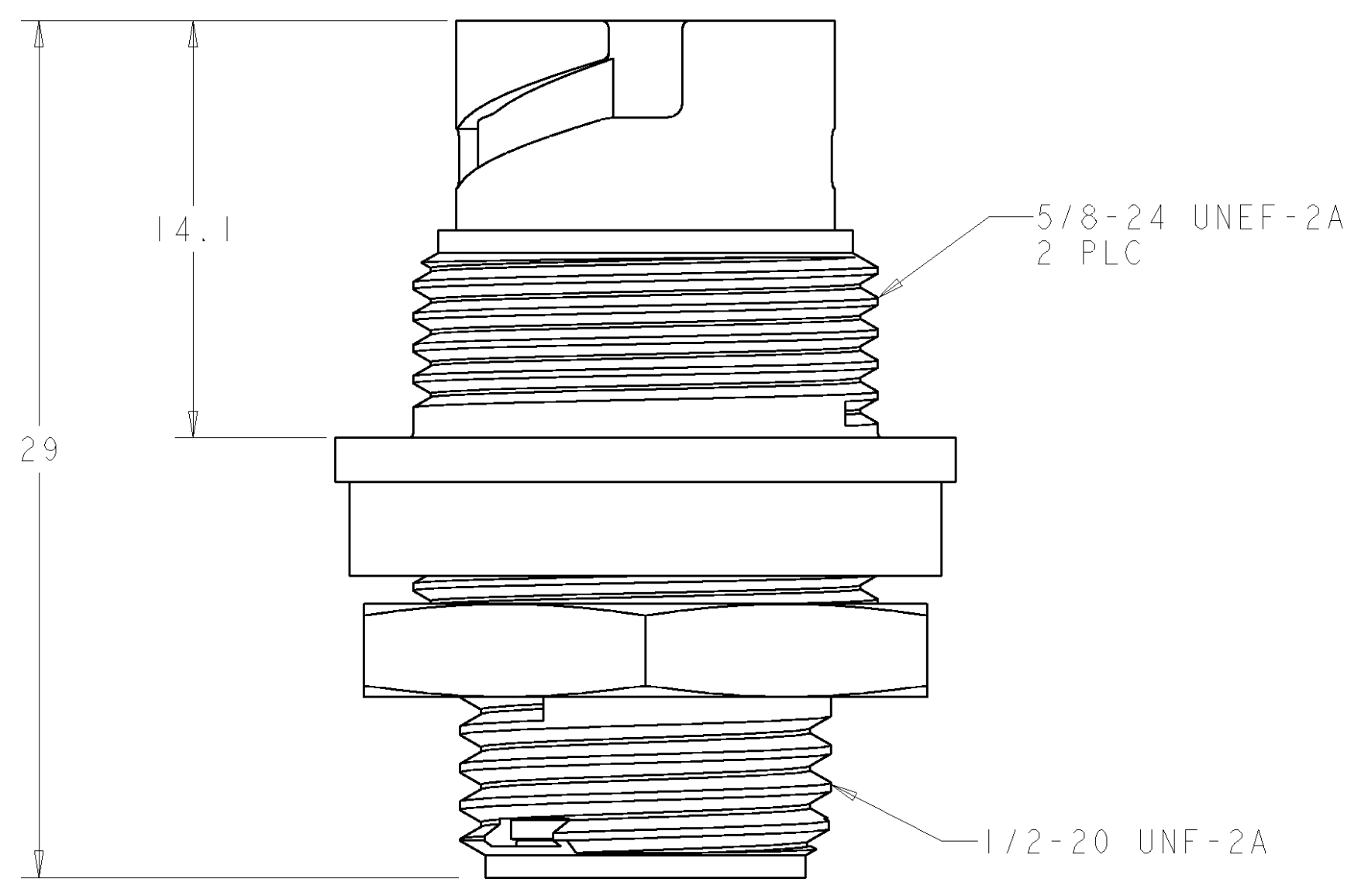
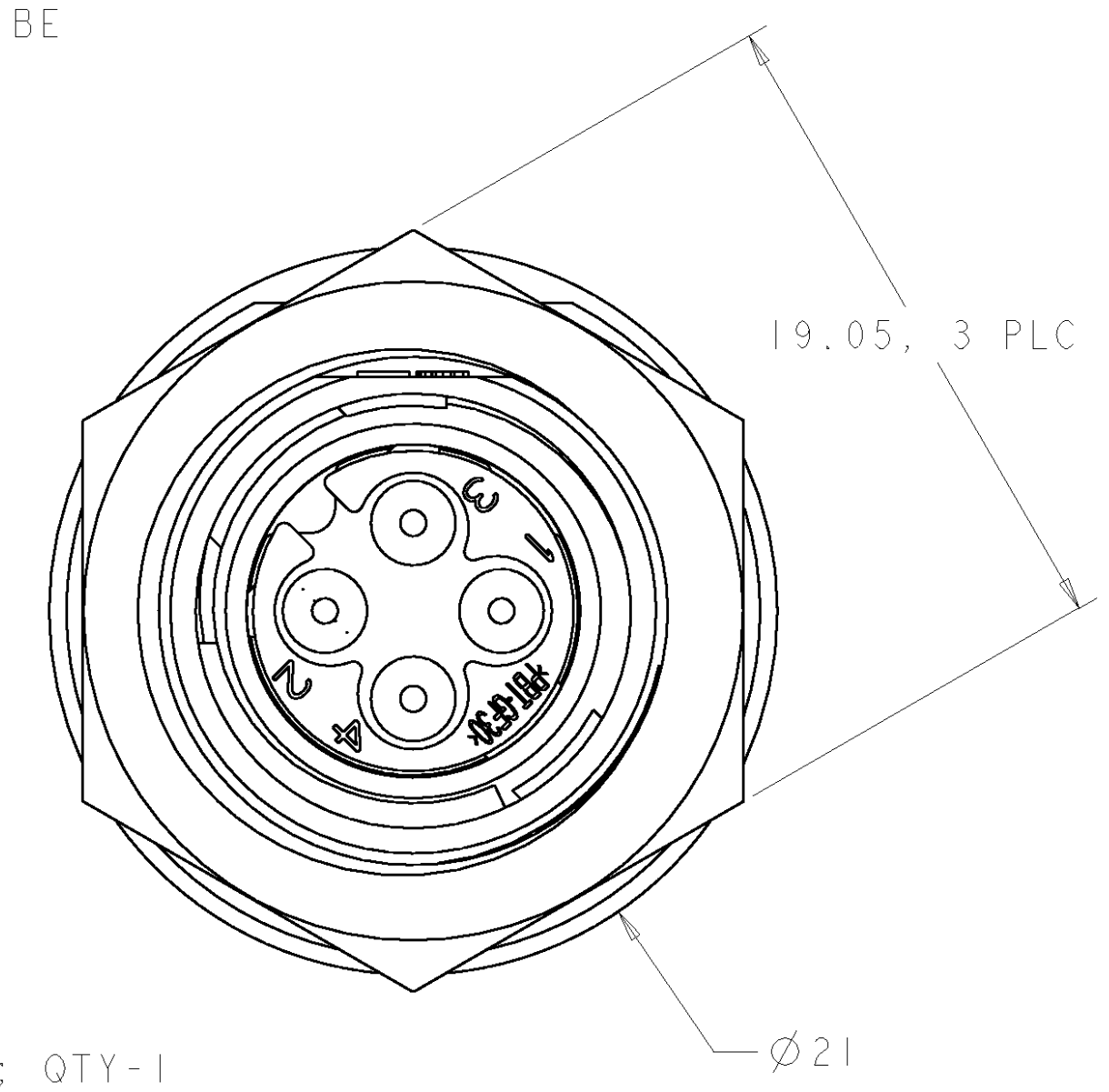
SEAL, PERIPHERAL; QTY-1
 MATERIAL: ELASTOMER, COLOR-GRAY

SECTION Z-Z

PLATE, SEAL RETENTION; QTY-1
 MATERIAL: THERMOPLASTIC, COLOR-BLACK

SEAL, WIRE ENTRY; QTY-1
 MATERIAL: ELASTOMER, COLOR-SEE TABLE

NUT, JAM; SHOWN FOR REFERENCE ONLY, TO BE ORDERED SEPARATELY, PART # 1604196-1



SUGGESTED PANEL CUTOUT

1. CONNECTOR CAN BE FRONT OR REAR PANEL MOUNTED.
 △ MAX PANEL THICKNESS - 3.18.

QUALIFICATION TEST PENDING

YELLOW	Ø0.61	130°	1445421-04
NATURAL	Ø1.5	115°	1445421-03
NATURAL	Ø1.5	130°	1445421-02
YELLOW	Ø0.61	115°	1445421-01
SEAL, WIRE ENTRY COLOR	ØX REF	K REF	PART NUMBER

DIMENSIONS: mm		TOLERANCES UNLESS OTHERWISE SPECIFIED:		DWN: G. DOUTY 07MAR2001		Tyco Electronics Harrisburg, PA 17105-3608	
		0 PLC ±	1 PLC ±0.13	CHK: H. WAKEEM 12JUN2003 APVD: H. WAKEEM 12JUN2003		NAME: ASSEMBLY, RECEPTACLE, SIZE 8, 4 POSITION, PANEL MOUNT, MINI CPC	
MATERIAL: SEE CALLOUT		2 PLC ±	3 PLC ±	PRODUCT SPEC: - APPLICATION SPEC: -		SIZE: A11 CAGE CODE: 00779 DRAWING NO: 1445421	
		4 PLC ±	ANGLES ±	WEIGHT: - FINISH: -		RESTRICTED TO: - CUSTOMER DRAWING: - SCALE: 5:1 SHEET 1 OF 1 REV A	