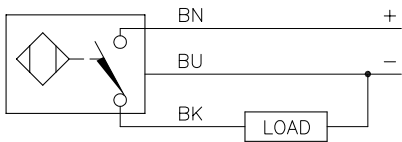


WIRING DIAGRAM

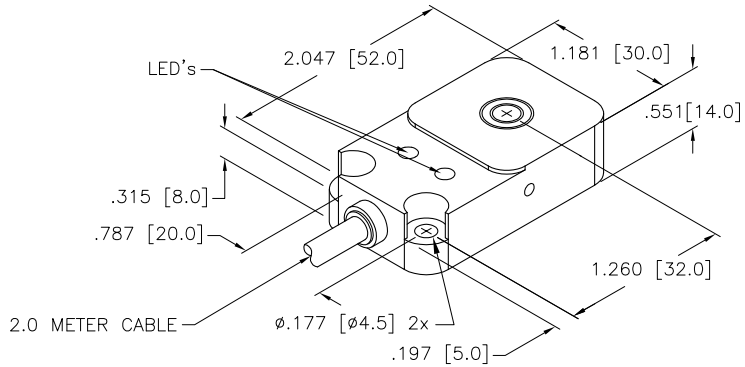


OUTPUT: AP6X2

SHORT-CIRCUIT AND OVERLOAD PROTECTED

SPECIFICATIONS

RATED OPERATING DISTANCE	10 mm = .394" (NOMINAL)
MOUNTING MODE	FLUSH
DIFFERENTIAL TRAVEL	3-15%
MIN. REPEAT ACCURACY	≤ 2%
TEMPERATURE DRIFT	≤ ±10%
OPERATING TEMPERATURE	-25°C to +70°C (-13°F to +158°F)
OPERATING VOLTAGE	8.4-30 VDC
RESIDUAL RIPPLE	≤ 10%
DC RATED OPERATIONAL CURRENT	≤ 200 mA
NO LOAD CURRENT	≤ 15 mA
RESIDUAL CURRENT	≤ 0.1 mA
MAX. SWITCHING FREQUENCY	≤ 0.25 kHz
RATED INSULATION VOLTAGE	≤ 0.5 kV
OUTPUT FUNCTION	3-WIRE, NORMALLY OPEN, PNP
SHORT CIRCUIT PROTECTION	YES
MAX. VOLTAGE DROP	≤ 1.8 V
WIRE-BREAK PROTECTION	INCORPORATED
REVERSE POLARITY PROTECTION	INCORPORATED
HOUSING MATERIAL	PLASTIC, PBT-GF30-V0
ACTIVE FACE	PLASTIC, PBT-GF30-V0
CABLE/JACKET MATERIAL	ø5.2, LifYY-11Y, TPU
VIBRATION RESISTANCE	55 Hz, (1mm) IN ALL 3 PLANES
SHOCK RESISTANCE	30 g, (11 ms)
DEGREE OF PROTECTION	IP67
SUPPLY VOLTAGE INDICATION	LED: GREEN
SWITCHING STATUS INDICATION	LED: YELLOW



RELATED DOCUMENTS	3RD ANGLE PROJECTION	THIS DRAWING IS PROPERTY OF TURCK INC. USE OF THIS DOCUMENT WITHOUT WRITTEN PERMISSION IS PROHIBITED.	 3000 CAMPUS DRIVE MINNEAPOLIS, MN 55441 1-800-544-7769 (763) 553-7300 (763) 553-0708 fax turck.com			
1. 2. 3. 4.						
MATERIAL	SEE SPECIFICATIONS	DRFT	RDS	DATE 11/10/03	DESCRIPTION BI10-Q14-AP6X2	
FINISH		DSGN	BT	SCALE 1=1.5		
		UNIT OF MEASUREMENT <b>INCH [ MILLIMETER ]</b>			IDENTIFICATION NO. M1608720	REV B
		DO NOT SCALE THIS DRAWING			FILE: M1608720	SHEET 1 OF 1

B	DRAWING PROCESSED AS PART OF ECO 33971	CBM	04/06/11	33971
REV	DESCRIPTION	BY	DATE	ECO NO.