

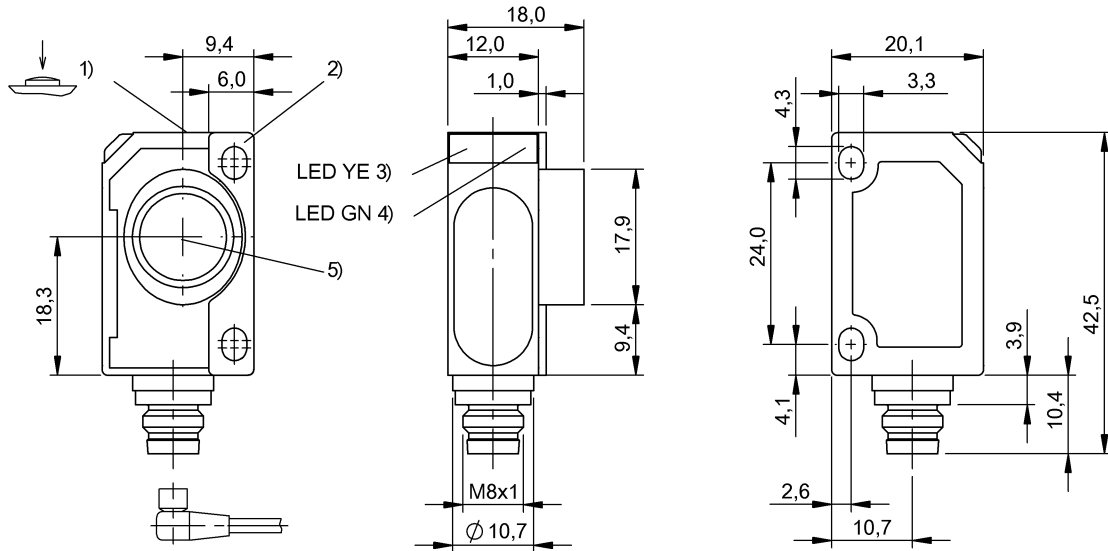
**BUS R06K1-XA-12/070-S75G**  
**Ordering code: BUS005E**

Ultrasonic sensor  
R06

Connector, M8x1-S75  
Working range 120...1000 mm  
0...10 V

**BALLUFF**

sensors worldwide



**Characteristic data**

Design Block, 90° connection  
Short-circuit protected yes  
Protected against polarity reversal yes  
Setting Output curve rise/fall, Characteristic curve window, Key disable on/off, Factory setting (reset)

**Electrical data**

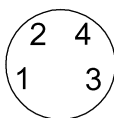
Operating voltage 20...30 V DC  
Rated operating voltage U<sub>e</sub> DC 24.0 V  
Analogue output Analog U  
Output characteristic Linear rising/falling  
Response time max. 42 ms  
Ultrasonic frequency 300 kHz  
Synchronisation ext., any number of sensors

**Mechanical data**

Resolution 0,037 mm  
Connector type M8x1-S75  
Sensing surface material PU foam, epoxy resin, glass  
Housing material Messing, PBT  
Resolution 0,037 mm  
Repeat accuracy ±0.15 %  
Operating temperature min. -25 °C  
Operating temperature max. +70 °C  
Cover material PBT  
Range min. 120 mm  
Range max. 1000 mm  
Temperature compensation yes

**Basic data**

Enclosure Type per IEC 60529 IP67



**BUS R06K1-XA-12/070-S75G**  
**Ordering code: BUS005E**

Ultrasonic sensor  
R06

Connector, M8x1-S75  
Working range 120...1000 mm  
0...10 V

**BALLUFF**

*sensors worldwide*

