



*Our Focus is in Plastics*

**Polymer Optics Ltd.**

6 Kiln Ride, Wokingham,  
Berks., RG40 3JL, England  
Tel/Fax: +44 (0) 1189 893341  
www.polymer-optics.co.uk

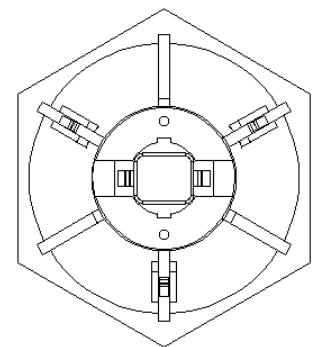
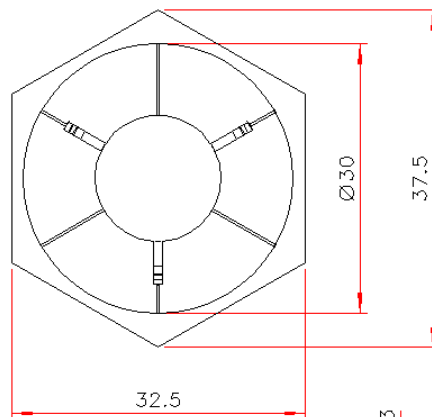
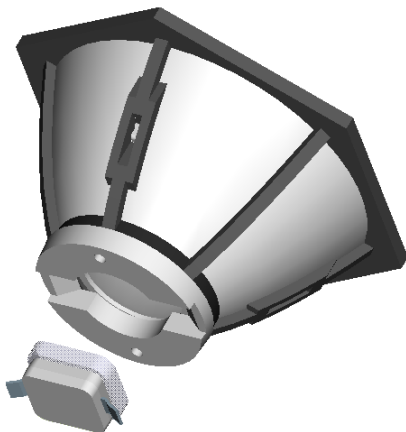
**30mm 2.5 Deg Reflector Collimator for Diamond/Platinum Dragon LED - Part No. 208**



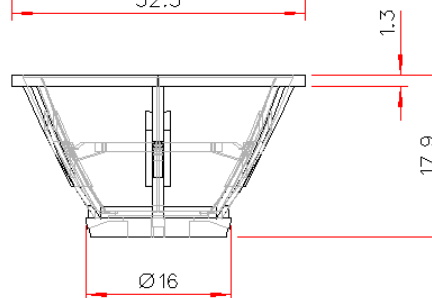
- Designed for Osram Diamond Dragon and Platinum Dragon LEDs
- High light collection efficiency of >85%
- Precision moulded using POL's patent applied for metallised optical insert moulding technique with a polycarbonate frame construction for superior mechanical and thermal stability
- Also available for other Osram LED package types
- Part of the Polymer Optics "Modular LED Optics"® range

Polymer Optics "Modular LED Optics"® design, based on a hexagonal format, allows maximum packing density and assembly flexibility. Arrays of single colour or colour mixed cells can be easily constructed

The 203 Reflector Optic base is designed to push fit over the standard Osram Dragon LED package to align to the LED source



ORIENTATION OF BASE TO LED LEADS



Typical dimensional tolerances to +/-0.2mm



Due to continuous product improvement, POL reserve the right to change specifications without notice.

© Copyright Polymer Optics Limited 2008



*Our Focus is in Plastics*

**Polymer Optics Ltd.**

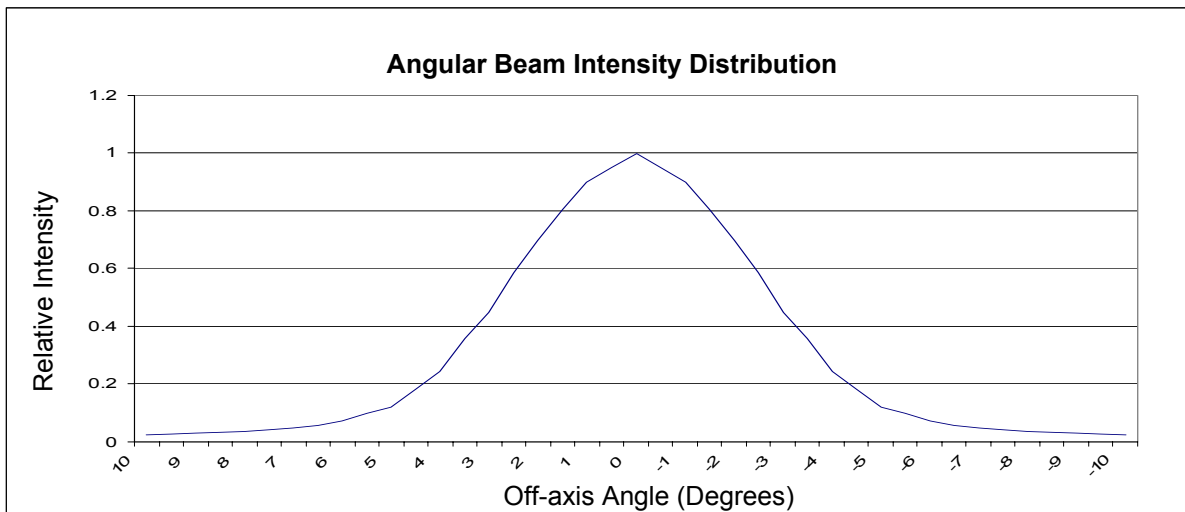
6 Kiln Ride, Wokingham,  
Berks., RG40 3JL, England  
Tel/Fax: +44 (0) 1189 893341  
[www.polymer-optics.co.uk](http://www.polymer-optics.co.uk)

**30mm 2.5 Deg Reflector Collimator for Diamond/Platinum Dragon LED - Part No. 208**



The POL 208 optic's narrow, high intensity beam is ideal for demanding applications, such as:

- ✓ Mining and caving lamps
- ✓ Under water lamps and torches
- ✓ Architectural spot lights (single colour and RGB arrays)
- ✓ Theatrical lights and follow-spots (single colour and RGB arrays)
- ✓ High performance torches
- ✓ High level flood lights
- ✓ Street lights
- ✓ Medical lighting applications



<b>Typical illuminance values using 225 lumen Osram Diamond Dragon LED = 40 cd/lumen</b>			
Range	0.5m	1m	2m
Illuminance	36000 lux	9000 lux	2250 lux

Performance values given are typical values and will vary dependant on LED binning, colour and drive profile