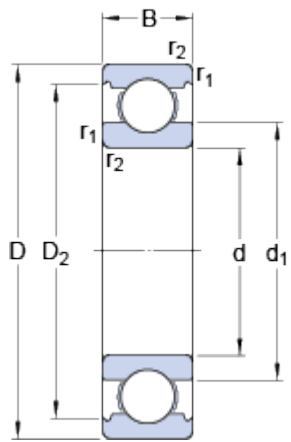


# 6302

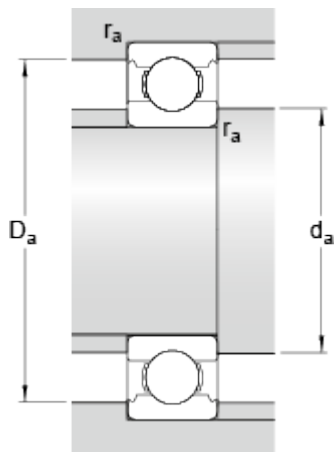
SKF Explorer

## Dimensions



$d$		15	mm
$D$		42	mm
$B$		13	mm
$d_1$	$\approx$	23.7	mm
$D_2$	$\approx$	36.23	mm
$r_{1,2}$	min.	1	mm

## Abutment dimensions



$d_a$	min.	20.6	mm
$D_a$	max.	36.4	mm
$r_a$	max.	1	mm

## Calculation data

Basic dynamic load rating	$C$	11.9	kN
Basic static load rating	$C_0$	5.4	kN
Fatigue load limit	$P_u$	0.228	kN
Reference speed		38000	r/min
Limiting speed		24000	r/min
Calculation factor	$k_r$	0.03	
Calculation factor	$f_0$	12	

## Mass

Mass bearing		0.0821	kg
--------------	--	--------	----