

I/O module - AXL F DI16/4 2F - 2688022

Please be informed that the data shown in this PDF Document is generated from our Online Catalog. Please find the complete data in the user's documentation. Our General Terms of Use for Downloads are valid (<http://download.phoenixcontact.com>)



Axioline F digital input module, 16 inputs, 24 V DC, 2, 3 or 4-wire connection method (including bus base module and connectors)

Product description

The module is designed for use within an Axioline F station.

It is used to acquire digital signals.

The filter times of the inputs can be adjusted to increase noise immunity.

Filter times of 100 μ s enable the user to implement a counter function with a maximum input frequency of 5 kHz in the application.

Why buy this product

- 16 digital inputs according to EN 61131-2 type 1 and type 3
- 24 V DC, 2.4 mA
- Connection of sensors in single-wire technology
- Minimum update time of < 100 μ s, bus synchronous
- Filter times can be adjusted in two increments: < 100 μ s or 500 μ s
- Maximum input frequency: 5 kHz
- Device rating plate stored
- Diagnostic and status indicators



Key commercial data

Packing unit	1 pc
GTIN	 4 046356 501606
Weight per Piece (excluding packing)	278.0 g
Custom tariff number	85389091
Country of origin	Germany

Technical data

Dimensions

Width	53.6 mm
Height	129.9 mm
Depth	54 mm

I/O module - AXL F DI16/4 2F - 2688022

Technical data

Dimensions

Note on dimensions	The depth is valid when a TH 35-7.5 DIN rail is used (according to EN 60715).
--------------------	---

Ambient conditions

Ambient temperature (operation)	-25 °C ... 60 °C
Ambient temperature (storage/transport)	-40 °C ... 85 °C
Permissible humidity (operation)	5 % ... 95 % (non-condensing)
Permissible humidity (storage/transport)	5 % ... 95 % (non-condensing)
Air pressure (operation)	70 kPa ... 106 kPa (up to 3000 m above sea level)
Air pressure (storage/transport)	70 kPa ... 106 kPa (up to 3000 m above sea level)
Degree of protection	IP20

General

Weight	231 g
Note on weight specifications	with plugs and bus base module
Mounting type	DIN rail
Protection class	III, IEC 61140, EN 61140, VDE 0140-1
Test section	5 V communications power (logic), 24 V supply (I/O) 500 V AC 50 Hz 1 min
	5 V supply (logic)/functional earth ground 500 V AC 50 Hz 1 min
	24 V supply (I/O) / functional earth ground 500 V AC 50 Hz 1 min
Conformance with EMC directives	Noise immunity test in accordance with EN 61000-6-2 Electrostatic discharge (ESD) EN 61000-4-2/IEC 61000-4-2 Criterion B; 6 kV contact discharge, 8 kV air discharge
	Noise immunity test in accordance with EN 61000-6-2 Electromagnetic fields EN 61000-4-3/IEC 61000-4-3 Criterion A; Field intensity: 10 V/m
	Noise immunity test in accordance with EN 61000-6-2 Fast transients (burst) EN 61000-4-4/IEC 61000-4-4 Criterion B, 2 kV
	Noise immunity test in accordance with EN 61000-6-2 Transient surge voltage (surge) EN 61000-4-5/IEC 61000-4-5 Criterion B; DC supply lines: ±0.5 kV/±0.5 kV (symmetrical/asymmetrical)
	Noise immunity test in accordance with EN 61000-6-2 Conducted interference EN 61000-4-6/IEC 61000-4-6 Criterion A; Test voltage 10 V
	Noise emission test according to EN 61000-6-3 Radio interference properties EN 55022 Class B
Mechanical tests	Vibration resistance in acc. with EN 60068-2-6/IEC 60068-2-6 5 g
	Shock in acc. with EN 60068-2-27/IEC 60068-2-27 30 g
	Continuous shock according to EN 60068-2-27/IEC 60068-2-27 10 g
Diagnostics messages	I/O supply failure Yes
	Overload of group 1 Yes
	Overload of group 2 Yes

Interfaces

Name	Axiline F local bus
Connection method	Bus base module
Transmission speed	100 MBit/s

I/O module - AXL F DI16/4 2F - 2688022

Technical data

Axioline potentials

Communications power U_{Bus}	5 V DC (via bus base module)
Current consumption from U_{bus}	max. 120 mA
Supply of digital input modules U_I	24 V DC
Current consumption from U_I	max. 4 A (2 A or each group of 8 inputs)

Digital inputs

Input name	Digital inputs
Description of the input	EN 61131-2 types 1 and 3
Connection method	Push-in technology
	2, 3, 4-wire
Number of inputs	16
Protective circuit	Polarity reversal protection of the inputs Electronic
Input filter time	500 μ s (default)
Input voltage range "0" signal	-30 V DC ... 5 V DC
Input voltage range "1" signal	11 V DC ... 30 V DC
Nominal input current at U_{IN}	2.4 mA

Classifications

eCl@ss

eCl@ss 4.0	27240404
eCl@ss 4.1	27240404
eCl@ss 5.0	27242204
eCl@ss 5.1	27242604
eCl@ss 6.0	27242604
eCl@ss 7.0	27242604
eCl@ss 8.0	27242604

ETIM

ETIM 3.0	EC001599
ETIM 4.0	EC001599
ETIM 5.0	EC001599

UNSPSC

UNSPSC 6.01	43172015
UNSPSC 7.0901	43201404
UNSPSC 11	39121311
UNSPSC 12.01	39121311
UNSPSC 13.2	39121311

I/O module - AXL F DI16/4 2F - 2688022

Approvals

Approvals

Approvals

GL / DNV / RINA / BSH / BV

Ex Approvals

Approvals submitted

Approval details

GL

DNV

RINA

BSH

BV

Accessories

Accessories

Connector set

Connector set - AXL CNS 8L-ORBG/D/UI/E1/E2 - 2700980



Axioline F plug set (for e.g., AXL F DI16/4 2F)

DIN rail connector

I/O module - AXL F DI16/4 2F - 2688022

Accessories

Bus connector - AXL F BS F - 2688129



Axioline F bus base module for housing type F

Terminal marking

Zack marker strip - ZB 20,3 AXL UNPRINTED - 0829579



Zack marker strip for Axioline F (device labeling), in 2 x 20.3 mm pitch, unprinted, 25-section, for individual labeling with B-STIFT 0.8, X-PEN, or CMS-P1-PLOTTER

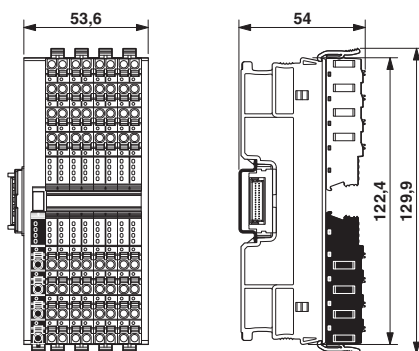
Zack Marker strip, flat - ZBF 10/5,8 AXL UNPRINTED - 0829580



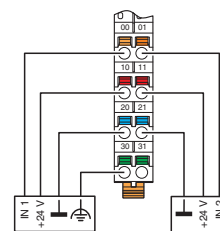
Zack marker strip, flat, in 10 mm pitch, unprinted, 10-section, for individual labeling with M-PEN 0,8, X-PEN, or CMS-P1-PLOTTER

Drawings

Dimensioned drawing

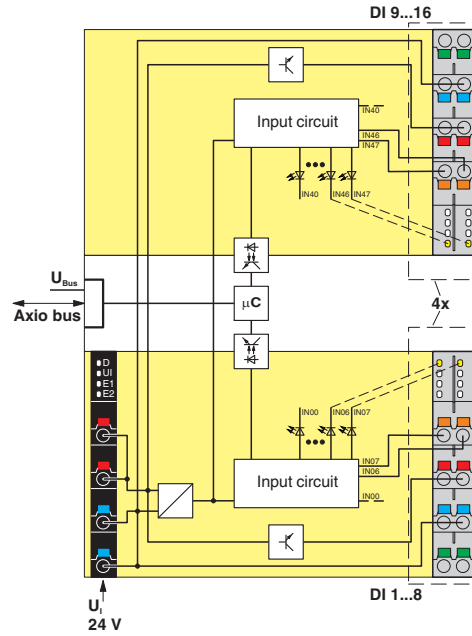


Connection diagram



I/O module - AXL F DI16/4 2F - 2688022

Block diagram



Internal wiring of the terminal points