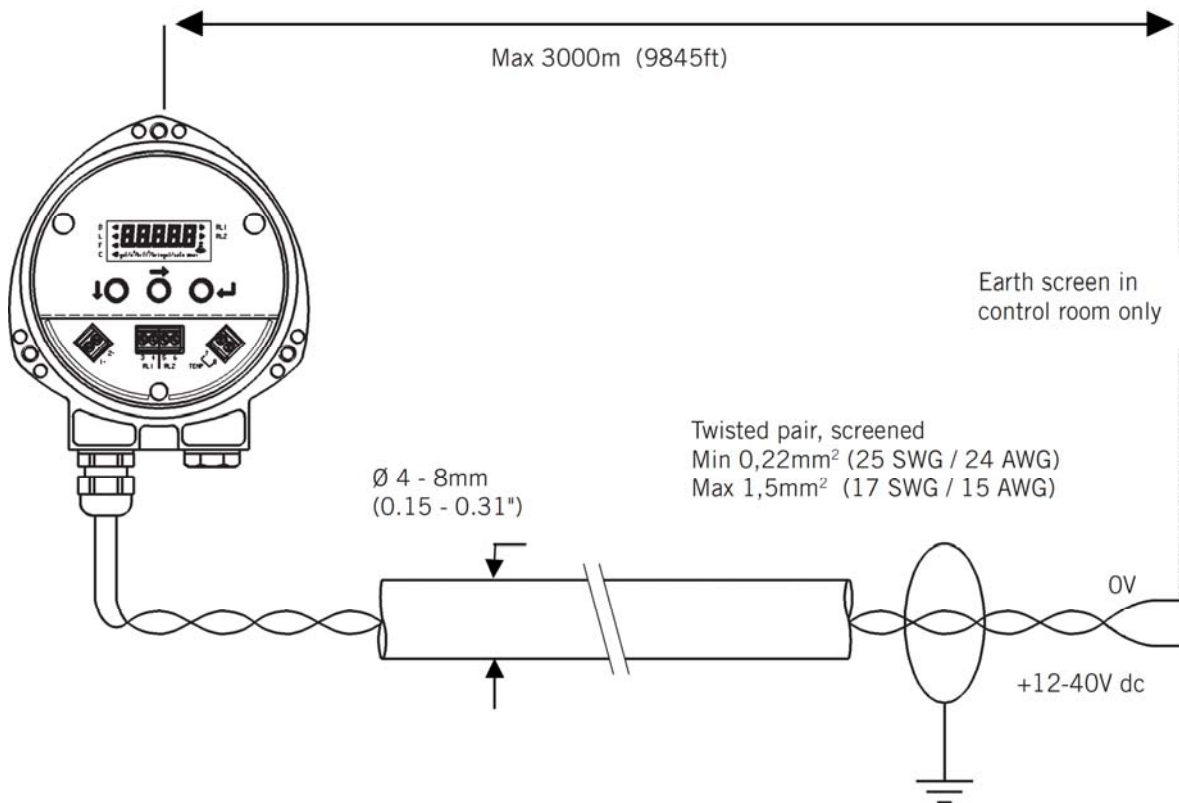


3.3 Wiring

The transmitter is supplied with cable gland suitable for cable sizes 4-8mm diameter.

Terminal	1	: +24V dc
	2	: 0v dc
	3	: RL1 (SPST)
	4	: RL1 (SPST)
	5	: RL2 (SPST)
	6	: RL2 (SPST)
	7	: MSP-RTP temperature probe (if used)
	8	: MSP-RTP temperature probe (if used)

Earth Screen : Connect to a standard earth in the control room.



3.3.1 External temperature sensor

The MSP400RH transmitter will accept an input from a Mobrey external temperature sensor.

Order part number MSP-RTP.

This is a thermistor based temperature sensor specifically designed for use with the MSP400RH transmitter.

Full installation instructions are supplied with the temperature sensor, but note that it should be mounted out of direct sunlight in a position such that it can give a representative reading of the air temperature between the liquid surface and the MSP400RH transmitter.

3.3.2 After completing the wiring

Ensure all cable glands / blanking plugs and seals are in good condition after wiring to maintain the weatherproof rating of the transmitter.

Check that the cover seal is in good condition and not twisted or misaligned in the seal location groove. When replacing the cover, tighten the 3 cover screws evenly to exert uniform pressure on the cover seal.