

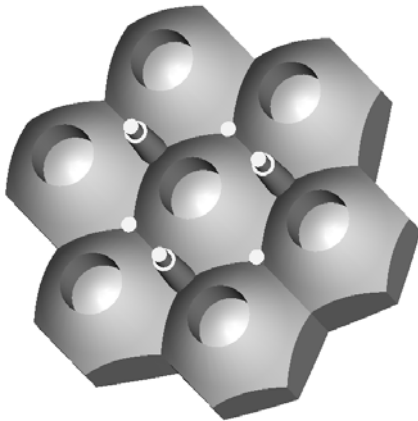


Our Focus is in Plastics

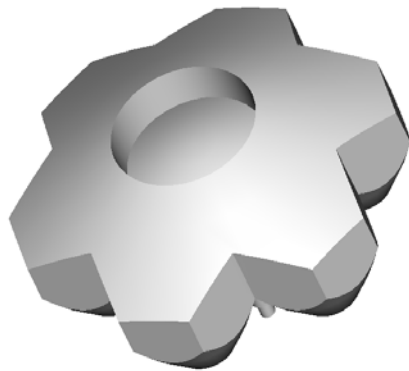
Polymer Optics Ltd.

6 Kiln Ride, Wokingham,
Berks., RG40 3JL, England
Tel/Fax: +44 (0) 1189 893341
www.polymer-optics.co.uk

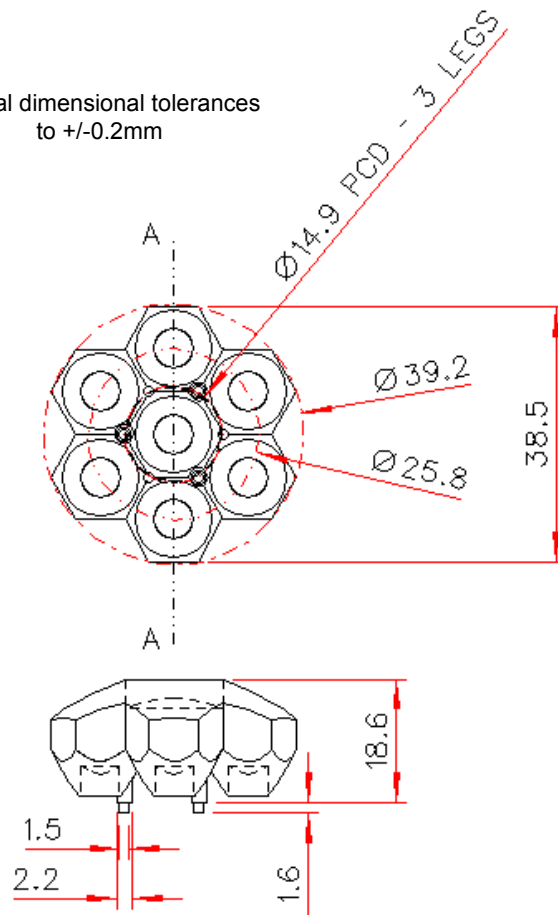
7 Cell Cluster Concentrator Optic - Part No. 263



- Designed for LUXEON® Rebel LED's
- High light collection efficiency of >85%
- Precision moulded in optical grade Polycarbonate for thermal stability and system durability
- Part of the Polymer Optics "Modular LED Optics"® range



Typical dimensional tolerances
to +/-0.2mm



Polymer Optics "Modular LED Optics"® design, based on a hexagonal format, allows maximum packing density and assembly flexibility

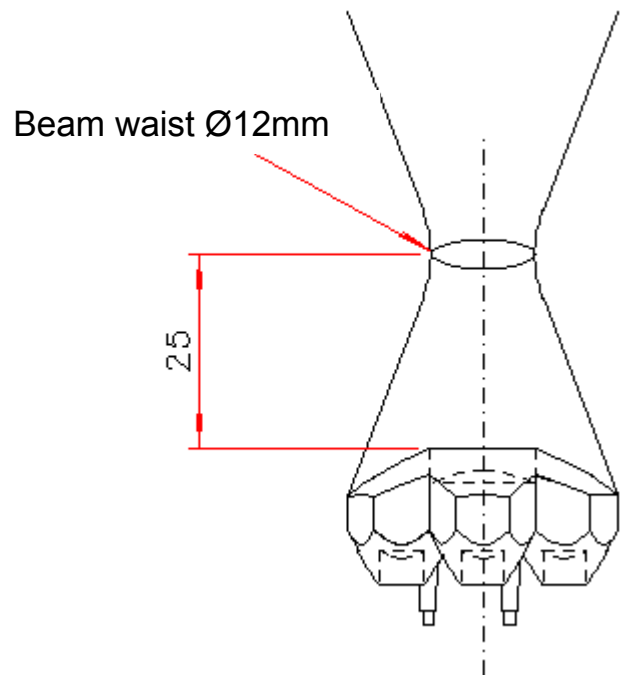


Our Focus is in Plastics

Polymer Optics Ltd.

6 Kiln Ride, Wokingham,
Berks., RG40 3JL, England
Tel/Fax: +44 (0) 1189 893341
www.polymer-optics.co.uk

7 Cell Cluster Concentrator Optic - Part No. 263



Typical Applications:

- **Beam insertion into optical fibre bundles**
- **Beam insertion into edge of lightguides**
- **High intensity illumination of small objects for inspection and microscopy**

Performance values given are typical values and will vary dependant on LED binning, colour and drive profile