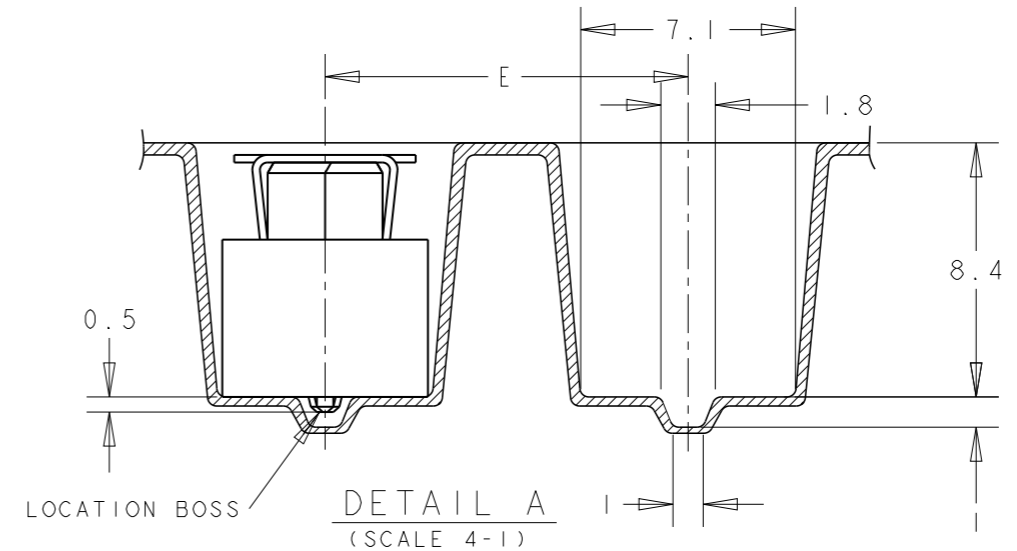
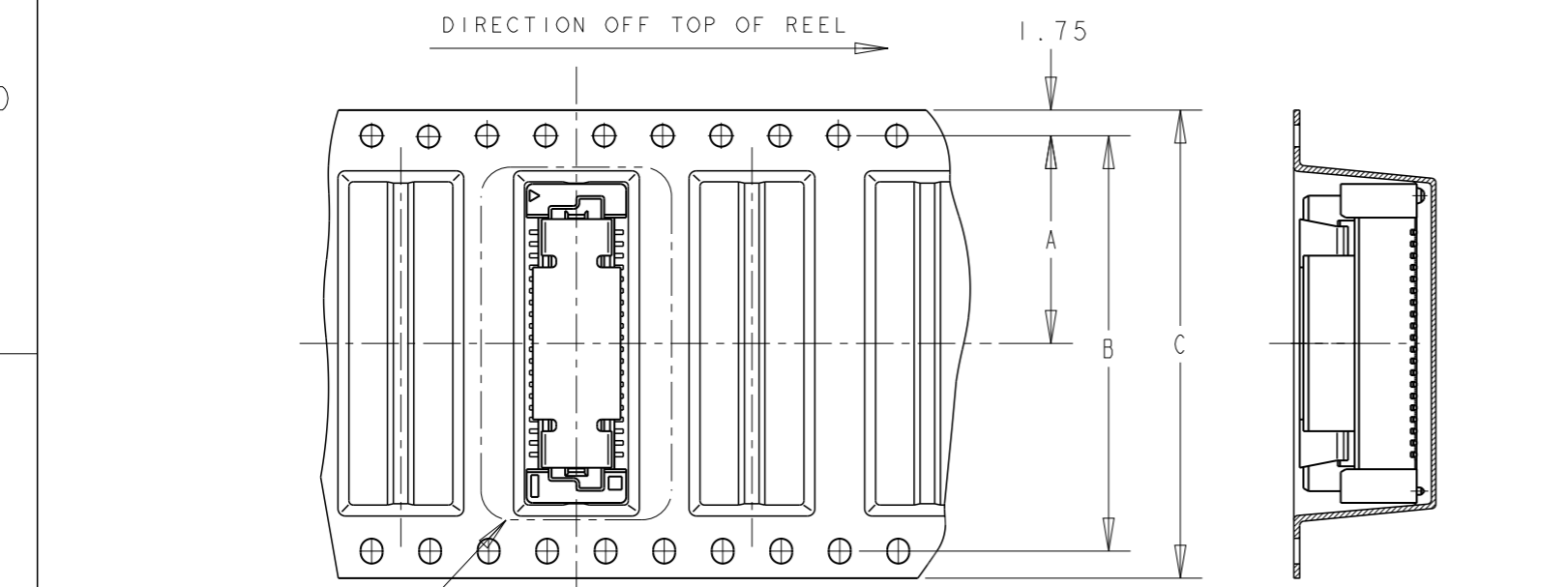
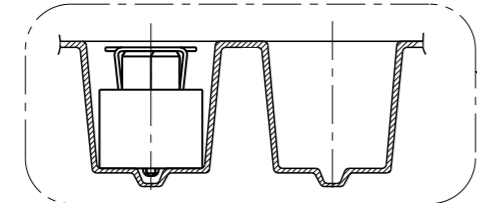


THIS DRAWING IS UNPUBLISHED. RELEASED FOR PUBLICATION .19  
 © COPYRIGHT 19 BY AMP INCORPORATED. ALL RIGHTS RESERVED.

LOC		DIST		REVISIONS			
P	LTR	DESCRIPTION	DATE	DWN	APVD		
DY	-	B	REVISED PER ECR-10-008668	23APR2010	SYJ	LSF	

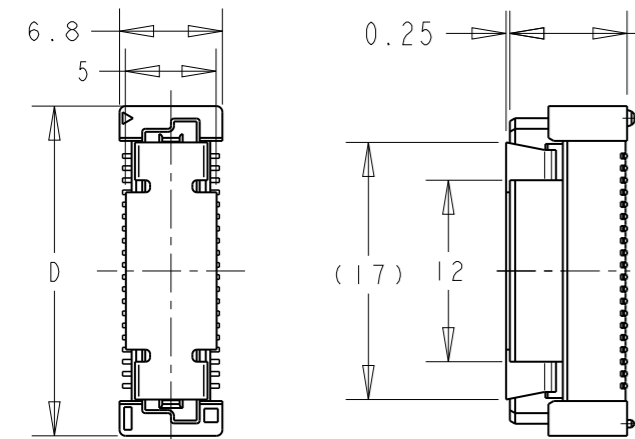
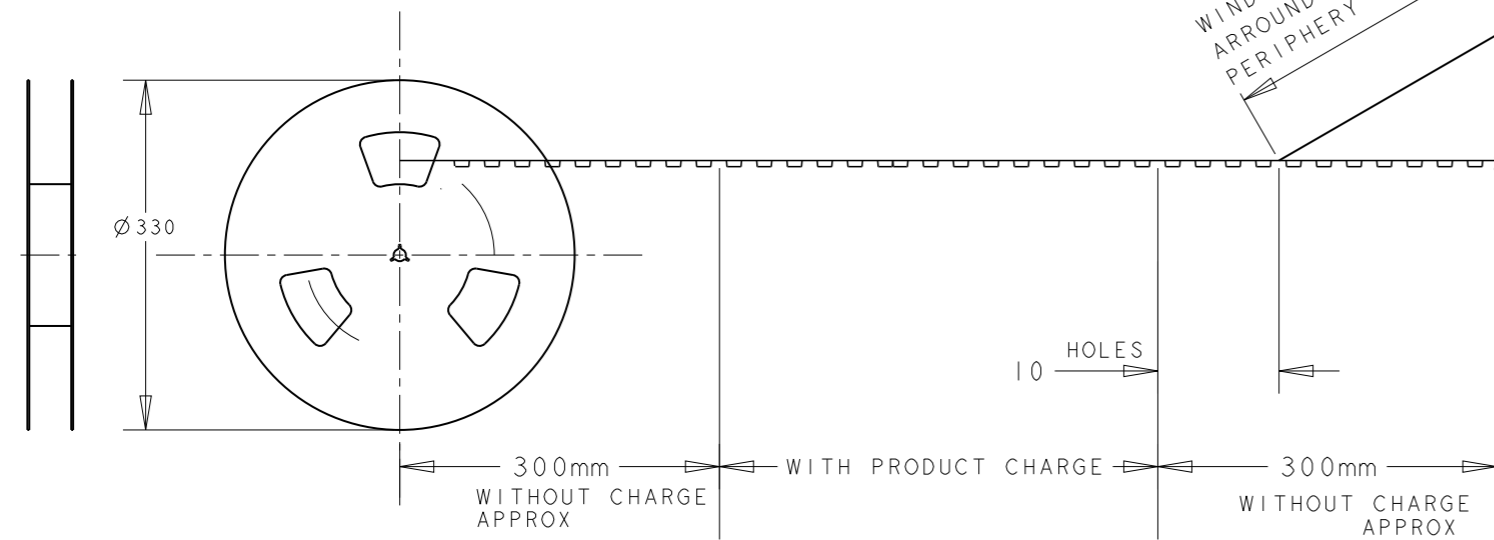


DETAIL B



DETAIL A

WINDING THE COVER TAPE  
 AROUND THE OUTER  
 PERIPHERY IN A TURN.



DETAIL B

- NOTES:
- 1 0.00076 MIN GOLD PLATING. (30u INCHES GOLD PLATING)
  - 2 0.00020 MIN GOLD PLATING. (Au FLASH PLATING)
  - 3 0.00038 MIN GOLD PLATING. (15u INCHES GOLD PLATING)

REMARKS	QTY	E	D	C	B	A	POS	CONN P/N	PART NO		
1	400	16	61.8	88	84.4	42.2	140	-6	7-	-6	
	400	16	53.8	72	68.4	34.2	120	-5	7-	-5	
	400	16	45.8	72	68.4	34.2	100	-4	7-	-4	
	500	12	37.8	56	52.4	26.2	80	-3	7-	-3	
	500	12	29.8	44	40.4	20.2	60	-2	7-	-2	
2	500	12	21.8	32	28.4	14.2	40	5084613-1	7-5179180-1		
	400	16	61.8	88	84.4	42.2	140	5-	-6	5-	-6
	400	16	53.8	72	68.4	34.2	120	5-	-5	5-	-5
	400	16	45.8	72	68.4	34.2	100	5-	-4	5-	-4
	500	12	37.8	56	52.4	26.2	80	5-	-3	5-	-3
3	500	12	29.8	44	40.4	20.2	60	5-	-2	5-	-2
	500	12	21.8	32	28.4	14.2	40	5-5179009-1	5-5179180-1		
	400	16	61.8	88	84.4	42.2	140	-6	3-	-6	
	400	16	53.8	72	68.4	34.2	120	-5	3-	-5	
	400	16	45.8	72	68.4	34.2	100	-4	3-	-4	
500	12	37.8	56	52.4	26.2	80	-3	3-	-3		
500	12	29.8	44	40.4	20.2	60	-2	3-	-2		
500	12	21.8	32	28.4	14.2	40	1735859-1	3-5179180-1			

THIS DRAWING IS A CONTROLLED DOCUMENT FOR AMP INCORPORATED. IT IS SUBJECT TO CHANGE AND THE CONTROLLING ENGINEERING ORGANIZATION SHOULD BE CONTACTED FOR THE LATEST REVISION.

DWN FLORENCE TAN 14SEP04  
 CHK ERIC TNG  
 APVD SE LEONG  
 PRODUCT SPEC -  
 APPLICATION SPEC -  
 WEIGHT -

**Tyco Electronics** (Singapore) Pte. Ltd.  
 NAME REC ASS'Y 9H TYPE (0.5 BOSS L) FOR FH 0.8mm B-T-B CONN, ON TAPING  
 SIZE A3 CAGE CODE 00779 DRAWING NO C-5179180

MATERIAL - FINISH -  
 DIMENSIONS: mm TOLERANCES UNLESS OTHERWISE SPECIFIED:  
 0 PLC ±0.2  
 1 PLC ±0.25  
 2 PLC ±0.3  
 3 PLC ±0.3  
 4 PLC ±0.3  
 ANGLES ±3°

CUSTOMER DRAWING SCALE 2:1 SHEET 1 OF 1 REV B