

Product Information



8477UOO080P62

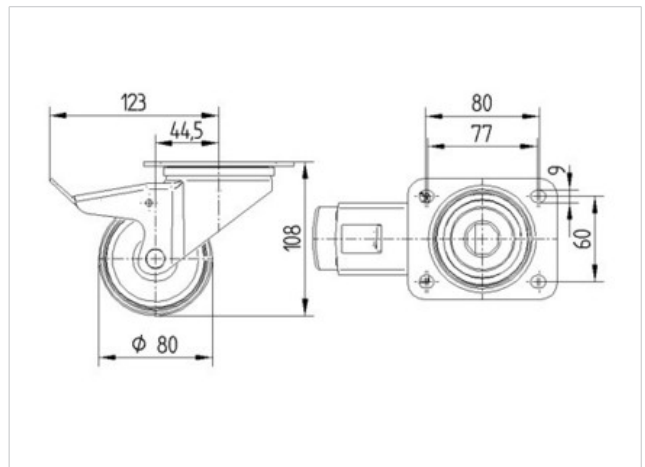
EAN 4031582313079

Swivel castor with total lock, tail end of castor, housing made of Stainless Steel, double ball bearing swivel head, wheel axle with nut, plate fitting. Wheel centre made of Polyamide, plain bearing

Technical Data

Wheel diameter	80 mm
Width of Tread	34 mm
Size of Plate	105 x 85 mm
Plate hole centres	80/77 x 60 mm
Plate hole	9 mm
Offset	44.5 mm
Swivel Interference	240 mm
Overall height	108 mm
Temperature	- 40 / + 80 °C
Standard	EN 12532
Weight	0.785 kg
Hardness of tread	D 75 Shore
Load capacity	200 kg
Load capacity (static)	400 kg

Roll performance	+	+	+	+	+
Movement noise	+	+	+	+	+
Attrition	+	+	+	+	+
Corrosion resistance	+	+	+	+	+



Product Information



8477UOO080P62

EAN 4031582313079

