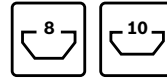
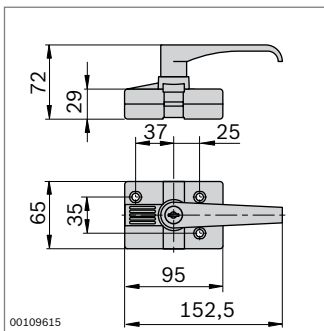


Door lock for swinging and sliding doors



- ▶ Opening to the right and left
- ▶ Suitable for profiles 45x45 and 30x30
- ▶ “Standard locking” variant with random key selection (each lock has a different key)
- ▶ “Uniform locking” variant always has the same key
- ▶ Version with door handle or as two-way lock

Accessories:
Adapter plate



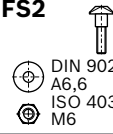
FS1

ISO 4762
M6x30



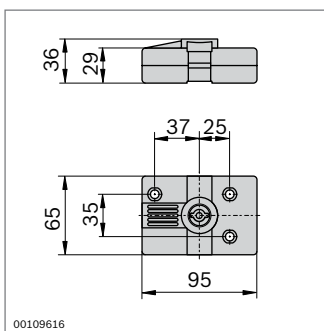
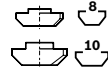
FS2

DIN 9021
A6,6
ISO 4032
M6



FS3

M6



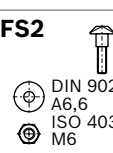
FS1

ISO 4762
M6x30



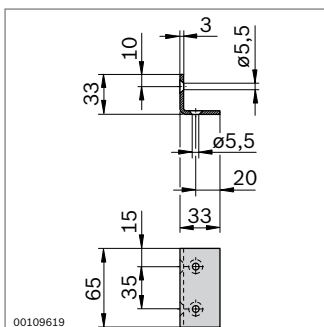
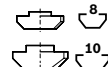
FS2

DIN 9021
A6,6
ISO 4032
M6



FS3

M6



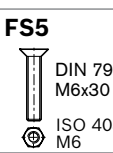
FS4

DIN 7991
M6x10



FS5

DIN 7991
M6x30
ISO 4032
M6



Door lock	No.	FS
Standard locking	30x30, 45x45	3 842 525 821 2xFS1, 1xFS2, 3xFS3
Uniform locking	30x30, 45x45	3 842 525 822 2xFS1, 1xFS2, 3xFS3

Material: Housing: Die-cast aluminum
Door handle: PA, black
mounting material: steel; galvanized
Scope of delivery: incl. 3 keys, fastening material (FS)

Door lock	No.	FS
	30x30, 45x45	3 842 525 823 2xFS1, FS2, 3xFS3

Material: diecast aluminum
Fastening material: steel; galvanized
Scope of delivery: incl. 1 x two-way key, fastening material (FS)

- ▶ Adapter plate for mounting the door lock on an EcoSafe protective frame (p. 10-6)

Adapter plate	No.	FS
	3 842 523 243	2xFS4, 2xFS5

Material: steel, galvanized
Fastening material: steel; galvanized
Scope of delivery: incl. fastening material (FS)