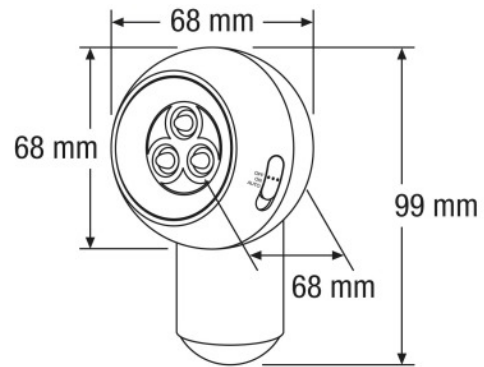


WT

Mobile helpers



Technical data

Electrical data

Nominal wattage	0.23 W
Nominal voltage	4.5 V

Photometrical data

Color temperature	7000 K
-------------------	--------

Light technical data

Beam angle	70/25 °
------------	---------

Dimensions & weight

Length	100.0 mm
Width	68.0 mm
Height	67.0 mm
Diameter	68.0 mm

Colors & materials

Product color	White
Body material	Plastic
Cover material	Plastic

Temperatures

Ambient temperature range	0...+25 °C
---------------------------	------------

Additional product data

Lamp designation according to LBS	LED
Equipment	LED

Capabilities

Type of installation	Surface-mounted
Accessories	Screw brackets / Magnet / Adhesive tape / Battery 3x 1.5 V MICRO LR3 AAA
Adjustable	Yes
Dimmable	No

Certificates & standards

Product datasheet

Protection class	III
Type of protection	IP43

Country specific categorizations

Order number	OTB1001W1
--------------	-----------

Country specific information

Product code	METEL code	SEG number	STK number	UK Org
4008321935021	OSRSPYLUXWT	9452746	8771181	-

Equipment / Accessories

- Can be mounted with screws, adhesive strip or magnet

Logistical Data

Product code	Product description	Packaging unit (Pieces/Unit)	Dimensions (height x width x length)	Volume	Gross weight
4008321307866	SPYLUX WT	Shipping carton box 6	194 mm x 218 mm x 258 mm	10.91 dm ³	1133.00 g
4008321935038	SPYLUX WT	Shipping carton box 6	218 mm x 194 mm x 258 mm	10.91 dm ³	1133.00 g

The mentioned product code describes the smallest quantity unit which can be ordered. One shipping unit can contain one or more single products. When placing an order, for the quantity please enter single or multiples of a shipping unit.

Disclaimer

Subject to change without notice. Errors and omission excepted. Always make sure to use the most recent release.