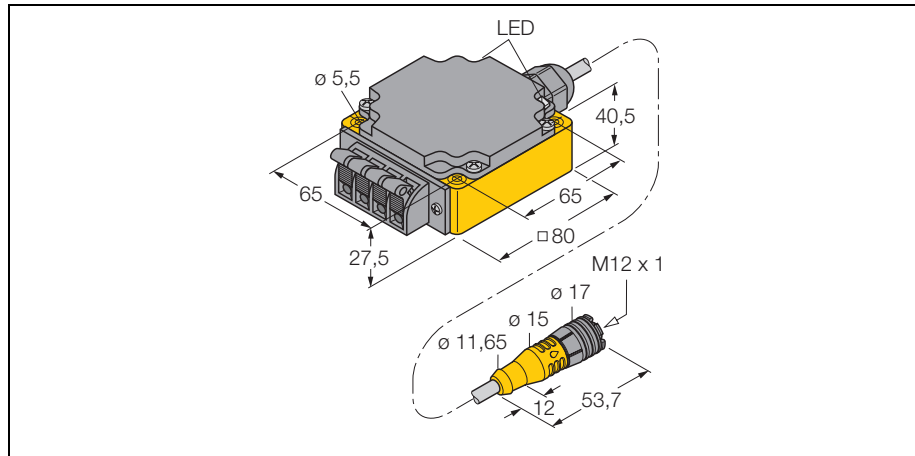


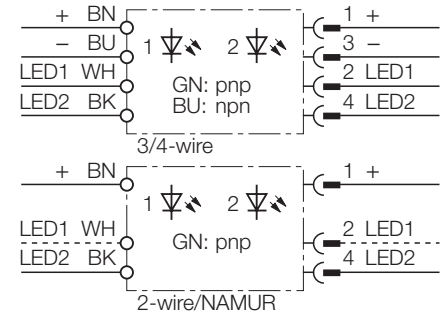
**Test box for sensors
TB3-CP80**



Type	TB3-CP80
Ident-No.	6967112
Operating voltage	18VDC Operation via 2 E-Block 9V batteries
Warning	NAMUR sensors may not be operated in the explosion hazardous area in conjunction with the sensor test box. An operating and function test is permitted in the safe area. The approval according to EN50014 and EN50020 does not expire after interconnection with the test device.
Dimensions	80 x 80 x 40.5 mm
Connection	cage clamp terminals, cable with quick-connect coupling
Display switch state	2 x LED green / blue

- **Universal test device for different sensors**
- **2-wire DC sensors**
- **3/4-wire DC sensors (npn/pnp)**
- **NAMUR sensors according to EN 60947-5-6**
- **Function testing without having to disassemble the sensor**
- **User-friendly operator and display elements**
- **Powered by 2 batteries 9V**

Wiring diagram



general description

The sensor test box TB3-CP80 is designed to test the functionality of inductive, magnetic field, capacitive and fiber optic sensors directly on-site or at the customer's workshop.

Sensors mounted on machines and in installations can be adjusted in de-energized state.

LEDs indicate the corresponding switching status of the test box. Clearly visible and highly illuminated display of switching status. In addition, the test box indicates the switching status with an acoustic signal (if connected to pin 4).

The following sensor types can be connected via terminal clips i.e. with M12 connectors:

- 2-wire DC sensors
 - 3/4-wire DC sensors (npn/pnp)
 - NAMUR sensors acc. to EN 60947-5-6
- All sensors can be switched to plus (green LED) or minus (blue LED).