



Feed through and ground terminal blocks

Insulation displacement

ADO - Screw clamp, \mathcal{L} DIN 3

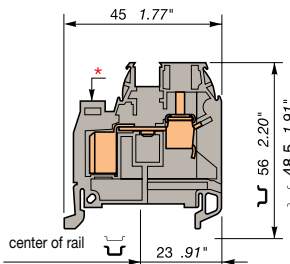
ADO Screw clamp

D 6/8... .ADO - 2.5 mm² blocks - 8 mm .315" spacing

Characteristics

| | | IEC | | UL | CSA |
|-------------------------------------|-----------------------|--------------------------|----------|-----------|-----------|
| | | NFC | DIN | | |
| Wire size mm ² / AWG | Screw | Solid | 0.2 - 10 | 22-8 AWG | 22- 8 AWG |
| | | Stranded | 0.22 - 6 | | |
| | ADO | Solid | 1 - 2.5 | 16-14 AWG | 16-14 AWG |
| | | Stranded | 1 - 2.5 | | |
| Voltage | V | 1000 | 600 | 600 | |
| Current | A | 24 | 25 | 25 | |
| Short circuit current (D6/8.PI.ADO) | A / s | 300 A/1s | | | |
| Rated wire size | mm ² / AWG | 2.5 mm ² | 14 AWG | 14 AWG | |
| Wire stripping length (screw) | mm / inches | 12 mm / .47" | | | |
| Recommended torque (screw) | Nm / lb.in | 0.8-1 Nm / 7.1-8.9 lb.in | | | |

2 wires of the same gauge and nature per ADO connection



D 6/8... .ADO

Selection

| Description | Type | Order P/N | Packaging |
|---|---------------------------------------|-------------|-----------|
| Standard block grey | <input type="checkbox"/> D 6/8.ADO | 0199 042.25 | 50 |
| Standard block orange | <input type="checkbox"/> D 6/8.ADO | 0199 043.26 | 50 |
| Standard block blue | <input type="checkbox"/> D 6/8.N.ADO | 0199 044.27 | 50 |
| Standard block black | <input type="checkbox"/> D 6/8.ADO | 0199 077.20 | 50 |
| Standard block red | <input type="checkbox"/> D 6/8.ADO | 0199 075.26 | 50 |
| Standard block yellow | <input type="checkbox"/> D 6/8.ADO | 0199 072.23 | 50 |
| Standard block ivory | <input type="checkbox"/> D 6/8.ADO | 0199 076.27 | 50 |
| Standard block green | <input type="checkbox"/> D 6/8.ADO | 0199 073.24 | 50 |
| Ground block yellow body/ green marking (without rail contact) | <input type="checkbox"/> D 6/8.PI.ADO | 0199 045.20 | 50 |

Accessories

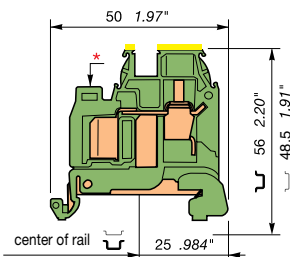
| | | | | | | |
|--|------------|---------------------------------|--------|-------------|--------------|----|
| End stop | | BADL | 9 mm | 0399 903.02 | (screwless) | 50 |
| | light grey | BAM2 | 9.9 mm | 0399 967.01 | (with screw) | 50 |
| End section | grey | <input type="checkbox"/> FEDAD1 | 3 mm | 0199 336.20 | | 20 |
| | blue | <input type="checkbox"/> FEDAD1 | 3 mm | 0199 338.02 | | 20 |
| | yellow | <input type="checkbox"/> FEDAD1 | 3 mm | 0199 339.03 | | 20 |
| Assembled jumper bar (with IP20 protection) | 2 poles | BJMI8 | 41 A | 0176 669.16 | | 10 |
| | 3 poles | BJMI8 | 41 A | 0176 670.13 | | 10 |
| | 4 poles | BJMI8 | 41 A | 0176 671.00 | | 10 |
| | 5 poles | BJMI8 | 41 A | 0176 672.01 | | 10 |
| | 10 poles | BJMI8 | 41 A | 0176 673.02 | | 10 |

D 6/8.P.ADO - 2.5 mm² ground block with rail contact - 8 mm .315" spacing

Characteristics

| | | IEC | | UL | CSA |
|------------------------------------|-----------------------|--------------------------|----------|----------|----------|
| | | NFC | DIN | | |
| Wire size mm ² / AWG | Screw | Solid | 0.2 - 10 | 22-8AWG | 22-8AWG |
| | | Stranded | 0.22 - 6 | | |
| | ADO | Solid | 1 - 2.5 | 16-14AWG | 16-14AWG |
| | | Stranded | 1 - 2.5 | | |
| Short circuit current | A / s | 300 A/1s | | | |
| Rated wire size | mm ² / AWG | 2.5 mm ² | 14AWG | 14AWG | |
| Wire stripping length (screw) | mm / inches | 12 mm / .47" | | | |
| Recommended torque (screw) | Nm / lb.in | 0.8-1 Nm / 7.1-8.9 lb.in | | | |

2 wires of the same gauge and nature per ADO connection



D 6/8.P.ADO

Selection

| Description | Type | Order P/N | Packaging |
|---|--------------------------------------|-------------|-----------|
| Ground block green body/ yellow marking V0 | <input type="checkbox"/> D 6/8.P.ADO | 0199 118.26 | 50 |

Accessories

| | | | | | |
|-------------|--------|---------------------------------|------|-------------|----|
| End section | yellow | <input type="checkbox"/> FEDAD1 | 3 mm | 0199 339.03 | 20 |
| | grey | <input type="checkbox"/> FEDAD1 | 3 mm | 0199 336.20 | 20 |

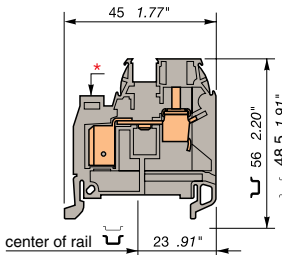




Feed through and ground terminal blocks

Insulation displacement

ADO - Screw clamp, U DIN 3



D 6/8.ADO3

D 6/8.ADO3 - 4 mm² blocks - 8 mm .315" spacing

Characteristics

| Wire size mm ² / AWG | Screw | IEC NFC DIN | | UL | CSA |
|--------------------------------------|-----------------------|--------------------------|----------|-----------|-----------|
| | | Solid | Stranded | 22-8 AWG | 22- 8 AWG |
| | ADO | Solid | 4 | 14-12 AWG | 14-12 AWG |
| | | Stranded | 4 | | |
| Voltage | | 1000 | 600 | 600 | |
| Current | A | 32 | 50 | 25 | |
| Short circuit current (D6/8.PI.ADO3) | A / s | 480 A/1s | | | |
| Rated wire size | mm ² / AWG | 4 mm ² | 12 AWG | 12 AWG | |
| Wire stripping length (screw) | mm / inches | 12 mm / .47" | | | |
| Recommended torque (screw) | Nm / lb.in | 0.8-1 Nm / 7.1-8.9 lb.in | | | |

Only 1 wire per ADO connection

Selection

| Description | Type | Order P/N | Packaging |
|---|--|-------------|-----------|
| Standard block grey | <input type="checkbox"/> D 6/8.ADO3 | 0399 245.15 | 50 |
| Standard block orange | <input type="checkbox"/> D 6/8.ADO3 | 0399 800.17 | 50 |
| Standard block blue | <input type="checkbox"/> D 6/8.N.ADO3 | 0399 319.17 | 50 |
| Ground block yellow body/ green marking (without rail contact) | <input type="checkbox"/> D 6/8.PI.ADO3 | 0399 273.11 | 50 |

Accessories

| | | | | | | |
|--|------------|---------------------------------|--------|-------------|--------------|----|
| End stop | light grey | BADL | 9 mm | 0399 903.02 | (screwless) | 50 |
| | | BAM2 | 9.9 mm | 0399 967.01 | (with screw) | 50 |
| End section | grey | <input type="checkbox"/> FEDAD1 | 3 mm | 0199 336.20 | | 20 |
| | blue | <input type="checkbox"/> FEDAD1 | 3 mm | 0199 338.02 | | 20 |
| | yellow | <input type="checkbox"/> FEDAD1 | 3 mm | 0199 339.03 | | 20 |
| Assembled jumper bar (with IP20 protection) | 2 poles | BJMI8 | 41 A | 0176 669.16 | | 10 |
| | 3 poles | BJMI8 | 41 A | 0176 670.13 | | 10 |
| | 4 poles | BJMI8 | 41 A | 0176 671.00 | | 10 |
| | 5 poles | BJMI8 | 41 A | 0176 672.01 | | 10 |
| | 10 poles | BJMI8 | 41 A | 0176 673.02 | | 10 |

D 6/8.P.ADO3 - 4 mm² ground block with rail contact - 8 mm .315" spacing

Characteristics

| Wire size mm ² / AWG | Screw | IEC NFC DIN | | UL | CSA |
|------------------------------------|-----------------------|--------------------------|----------|-----------|-----------|
| | | Solid | Stranded | 22-8AWG | 22-8AWG |
| | ADO | Solid | 4 | 14-12 AWG | 14-12 AWG |
| | | Stranded | 4 | | |
| Short circuit current | A / s | 480 A/1s | | | |
| Rated wire size | mm ² / AWG | 4 mm ² | 12 AWG | 12 AWG | |
| Wire stripping length (screw) | mm / inches | 12 mm / .47" | | | |
| Recommended torque (screw) | Nm / lb.in | 0.8-1 Nm / 7.1-8.9 lb.in | | | |

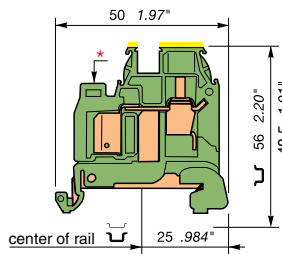
Only 1 wire per ADO connection

Selection

| Description | Type | Order P/N | Packaging |
|--|---------------------------------------|-------------|-----------|
| Ground block green body/ yellow marking | <input type="checkbox"/> D 6/8.P.ADO3 | 0399 251.13 | 50 |

Accessories

| | | | | | |
|-------------|--------|---------------------------------|------|-------------|----|
| End section | yellow | <input type="checkbox"/> FEDAD1 | 3 mm | 0199 339.03 | 20 |
| | grey | <input type="checkbox"/> FEDAD1 | 3 mm | 0199 336.20 | 20 |



D 6/8.P.ADO3



FEDAD1



Feed through and ground terminal blocks

Insulation displacement - Double deck

ADO - Screw clamp, \sqcup DIN 3

ADO Screw clamp

D 4/6.D2.ADO - 1.5 mm² blocks - 6 mm .238" spacing

Characteristics

| | | IEC NFC DIN | | UL | CSA |
|---------------------------------------|-----------------------|----------------------------|------------|-----------|-----------|
| Wire size mm ² / AWG | Screw | Solid | 0.2- 4 | 22-10 AWG | 22-10 AWG |
| | | Stranded | 0.22 - 4 | | |
| | ADO | Solid | 0.28 - 1.5 | 22-16 AWG | 22-16 AWG |
| | | Stranded | 0.34 - 1.5 | | |
| Voltage | V | 800 | 600 | 600 | |
| Current | A | 17.5 | 18 | 18 | |
| Short-circuit current (D 4/6.D1.PADO) | A/s | 180 A/s | | | |
| Rated wire size | mm ² / AWG | 1.5 mm ² | 16AWG | 16AWG | |
| Wire stripping length (screw) | mm / inches | 9.5 mm / .37" | | | |
| Recommended torque (screw) | Nm / lb.in | 0.5-0.8 Nm / 4.4-7.1 lb.in | | | |

2 wires of the same gauge and nature per ADO connection

Selection

| Description | Type | Order P/N | Packaging |
|--|---|-------------|-----------|
| Standard block grey | <input type="checkbox"/> D 4/6.D2.ADO | 0199 242.02 | 50 |
| Standard block orange | <input type="checkbox"/> D 4/6.D2.ADO | 0199 243.03 | 50 |
| Standard block blue | <input type="checkbox"/> D 4/6.D2.N.ADO | 0199 262.06 | 50 |
| Standard block green | <input type="checkbox"/> D 4/6.D2.ADO | 0199 262.06 | 50 |
| Ground block green body/ yellow marking with rail contact | <input type="checkbox"/> D 4/6.D1.PADO | 0399 931.25 | 50 |

Accessories

| | | | | | |
|--|----------|----------------------------------|--------|-------------|----|
| End stop | | BAMH | 9.1 mm | 0114 836.00 | 50 |
| | | BADH | 12 mm | 0116 900.27 | 50 |
| End section | grey | <input type="checkbox"/> FED2AD1 | 5 mm | 0199 417.12 | 20 |
| Assembled jumper bar (with IP20 protection) | 2 poles | BJMI6 | 32 A | 0176 663.00 | 10 |
| | 3 poles | BJMI6 | 32 A | 0176 664.01 | 10 |
| | 4 poles | BJMI6 | 32 A | 0176 665.02 | 10 |
| | 5 poles | BJMI6 | 32 A | 0176 666.03 | 10 |
| | 10 poles | BJMI6 | 32 A | 0176 667.04 | 10 |
| Shield connector | | CBD2S | 1 | 0178 408.14 | 50 |

D 6/8.D2.ADO - 2.5 mm² blocks - 8 mm .315" spacing

Characteristics

| | | IEC NFC DIN | | UL | CSA |
|------------------------------------|-----------------------|------------------------------|----------|----|-----|
| Wire size mm ² / AWG | Screw | Solid | 0.2- 10 | | |
| | | Stranded | 0.22 - 6 | | |
| | ADO | Solid | 1 - 2.5 | | |
| | | Stranded | 1 - 2.5 | | |
| Voltage | V | 800 | | | |
| Current | A | 24 | | | |
| Rated wire size | mm ² / AWG | 2.5 mm ² | | | |
| Wire stripping length (screw) | mm / inches | 12 mm / .47" | | | |
| Recommended torque (screw) | Nm / lb.in | 0.8 - 1 Nm / 7.1 - 8.9 lb.in | | | |

2 wires of the same gauge and nature per ADO connection

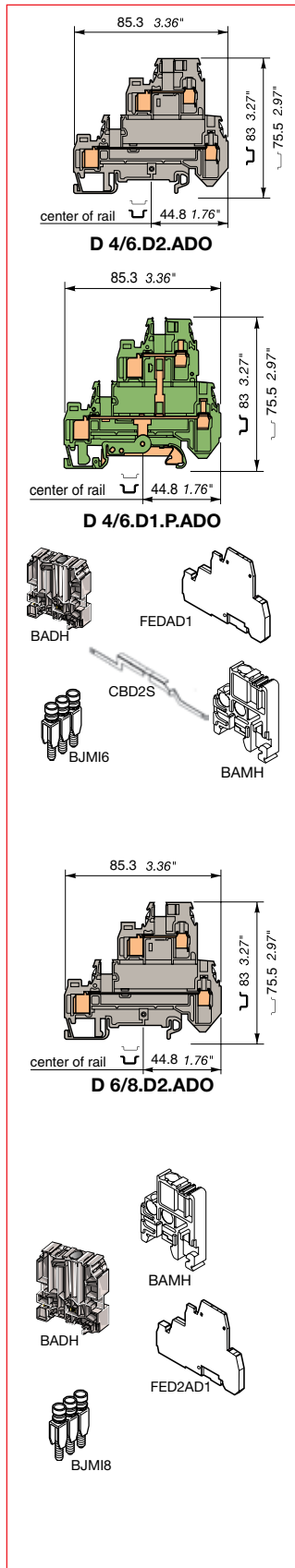
Selection

| Description | Type | Order P/N | Packaging |
|---------------------|---|-------------|-----------|
| Standard block grey | <input type="checkbox"/> D 4/6.D2.ADO | 0399 600.26 | 50 |
| Standard block blue | <input type="checkbox"/> D 4/6.D2.N.ADO | 0399 602.14 | 50 |

Accessories

| | | | | | |
|--|----------|----------------------------------|--------|-------------|----|
| End stop | | BAMH | 9.1 mm | 0114 836.00 | 50 |
| | | BADH | 12 mm | 0116 900.27 | 50 |
| End section | grey | <input type="checkbox"/> FED2AD1 | 5 mm | 0199 417.12 | 20 |
| Assembled jumper bar (with IP20 protection) | 2 poles | BJMI8 | 41 A | 0176 669.16 | 10 |
| | 3 poles | BJMI8 | 41 A | 0176 670.13 | 10 |
| | 4 poles | BJMI8 | 41 A | 0176 671.00 | 10 |
| | 5 poles | BJMI8 | 41 A | 0176 672.01 | 10 |
| | 10 poles | BJMI8 | 41 A | 0176 673.02 | 10 |

1 Except for blocks D 4/6.D1.PADO



3