

Datasheet

RS Pro Shielded SMD Common Mode Choke with a Ferrite Core



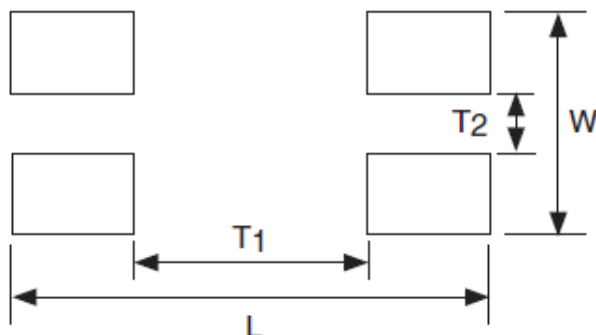
Features:

- High common mode impedance at high frequency
- Low profile surface mount package
- Shielded providing excellent noise suppression
- Suitable for high speed digital equipment (USB/IEEE)
- Pb-Free construction
- Both flow and reflow soldering applicable

Stock no.	Impedance (Ω)	Test Frequency (MHz)	DC Resistance (Ω max.)	DC Current (mA max.)	Voltage Rating (Vdc)	Withstanding Voltage (Vdc)	Insulation Resistance (Ω)
742-3463	$120 \pm 25\%$	100	0.3	400	50	125	10Meg
7423469	$90 \pm 25\%$	10	0.3	400	50	125	10Meg

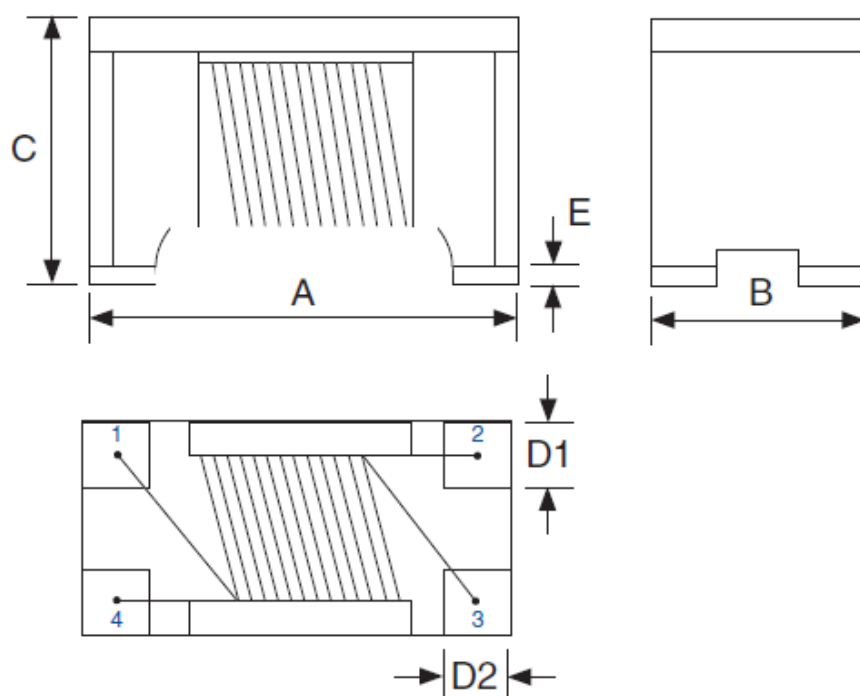
Land Pattern Dimensions (mm)

Case Size	L	W	T1	T2
0805	2.60	1.25	1.10	0.45

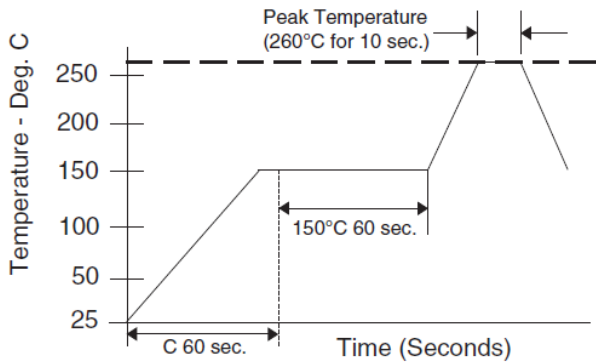


Case Dimensions (mm)

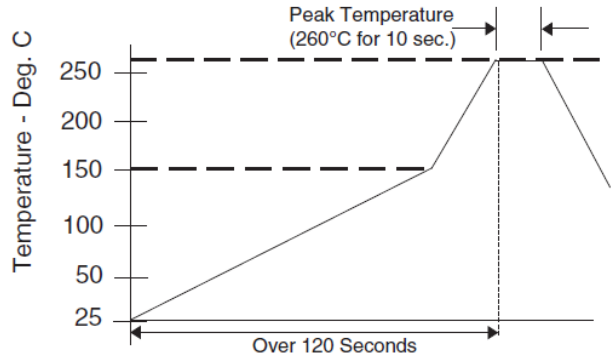
Type	A ± 0.2	B ± 0.2	C ± 0.2	D1 ± 0.1	D2 ± 0.1	E ± 0.1
0805	2.0	1.2	1.2	0.55	0.46	0.15



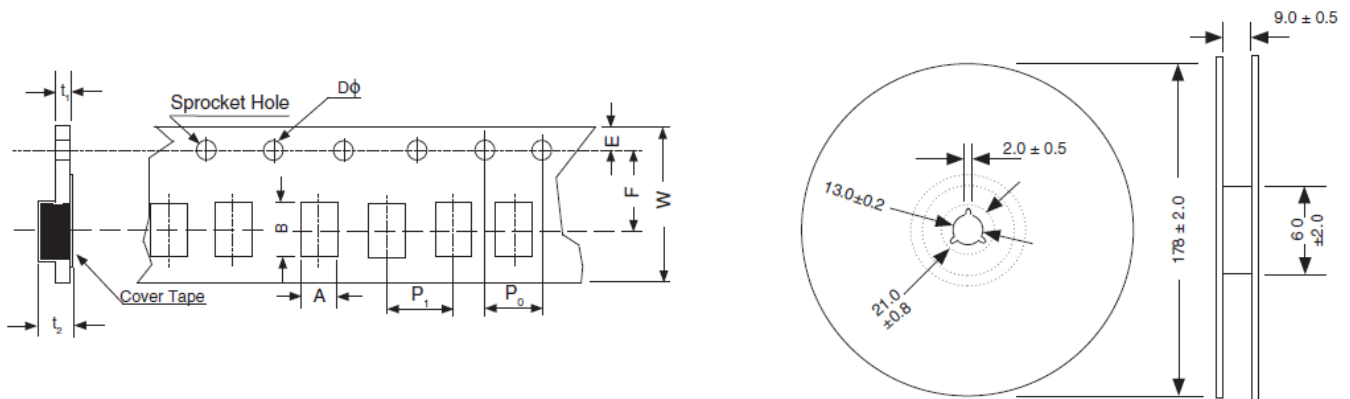
RECOMMENDED REFLOW SOLDERING PROFILE



RECOMMENDED FLOW SOLDERING PROFILE



Size	A ± 0.1	B ± 0.1	E ± 0.1	F ± 0.05	P ₀ ± 0.1	P ₁ ± 0.1	D ± 0.1	W ± 0.1	t ₁ ± 0.05	t ₂ ± 0.1	Reel Quantity
0805	1.50	2.35	1.75	3.5	4.0	4.0	1.5	8.0	0.22	1.45	2,000



REEL QUANTITY: 2,000 per reel
(0805 & 1206 case size)