

## Datasheet

# Blue Straight Switchable IP67 Industrial Interlock Socket 2P+E, Earthing Position 6h, 16A, 250 V

RS Stock number [410-191](#)

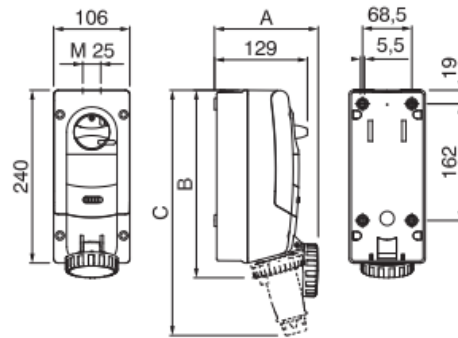


### Specifications:

Rated Current:	16A – 32A
Rated Voltage:	100÷690V~
Frequency:	d.c - 50÷500Hz
Insulation Voltage:	500/690V~
Protection Degree:	IP44 – IP66/IP67
Operating temperature according to the reference standard:	-25°C + 40°C
Max. Operating Temperature:	60°C
Glow Wire Test:	650°C/850°C
Material:	Engineering plastic
IK Degree at 20°C:	IK07
Cable Inlets:	Metrics
Fuse-Carriers:	gG 10, 3x38mm (16-32A) Neozed type D02 (63A)
Colour:	Standard Socket: Grey RAL 7035 front side and smoke-grey plate Heavy Duty Socket: Blue RAL 5015 front side and dark – grey RAL 7004 body

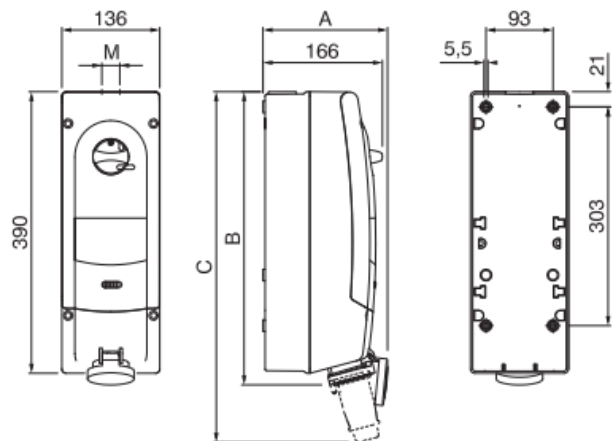
**COMPACT VERSION - IP44**

	A	B	C
2P+E 16A	140	256	335
3P+E 16A	146	256	341
3P+N+E 16A	157	256	355
2P+E 32A	158	267	364
3P+E 32A	158	267	364
3P+N+E 32A	158	265	370



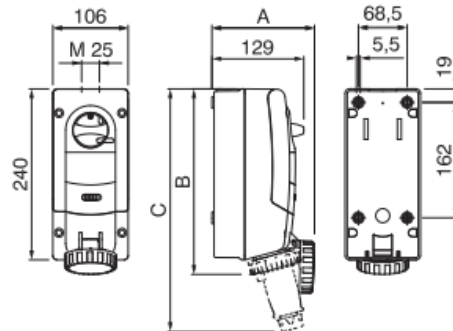
**LARGE VERSION - IP44**

	A	B	C	M
2P+E 16A	166	406	486	25
3P+E 16A	180	406	492	25
3P+N+E 16A	190	406	506	25
2P+E 32A	199	416	513	25
3P+E 32A	199	416	513	25
3P+N+E 32A	199	419	519	25



**COMPACT VERSION - IP66/IP67**

	A	B	C
2P+E 16A	145	261	341
3P+E 16A	152	261	350
3P+N+E 16A	163	262	368
2P+E 32A	164	272	377
3P+E 32A	164	272	377
3P+N+E 32A	167	272	385



**LARGE VERSION - IP66/IP67**

	A	B	C	M
2P+E 16A	166	412	492	25
3P+E 16A	186	412	500	25
3P+N+E 16A	197	412	518	25
2P+E 32A	205	420	526	25
3P+E 32A	205	420	526	25
3P+N+E 32A	207	420	533	25
63A	211	439	610	40

