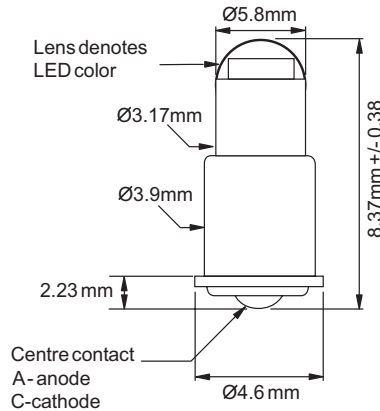


LED Bulb Replacement
Unipolar

Single Chip LED
T1 Midget Flanged Cap

Features

- Replaces less reliable filament bulbs
- Cool light reduces heat dissipation
- Reduces power consumption
- Reduces maintenance costs
- 180° Viewing angle
- Excellent off-axis viewing
- Meets MIL-DTL-6363H/6363/6A
- Coloured polymer lens
- Operating temp -40 to 85°C
- Storage temp -40 to 85°C



Ordering Information and Technical Characteristics

Ordering Information	Colour	Current (mA)	Luminous Intensity (mcd)	Dominant Wavelength
ELED/682/1/-/-WE	White	17	40	See note
ELED/682/1/-/-RD	Red	17	50	660
ELED/682/1/-/-YW	Yellow	17	45	585
ELED/682/1/-/-GN	Green	17	45	525
ELED/682/1/-/-BE	Blue	17	40	475

Mean time before failure 40,000 hrs

Ordering information:

When ordering please state type number, specifying polarity, voltage, and colour

E L E D / 6 8 2 / 1 / A / 2 8 / R D

Centre _____
 A - anode _____
 C - cathode _____

Voltage _____
 5,6,12,15,24,28

LED Colour _____
 RD, YW, BE, WE, GN

Note: White chromaticity co-ordinates x=0.28, y=0.28