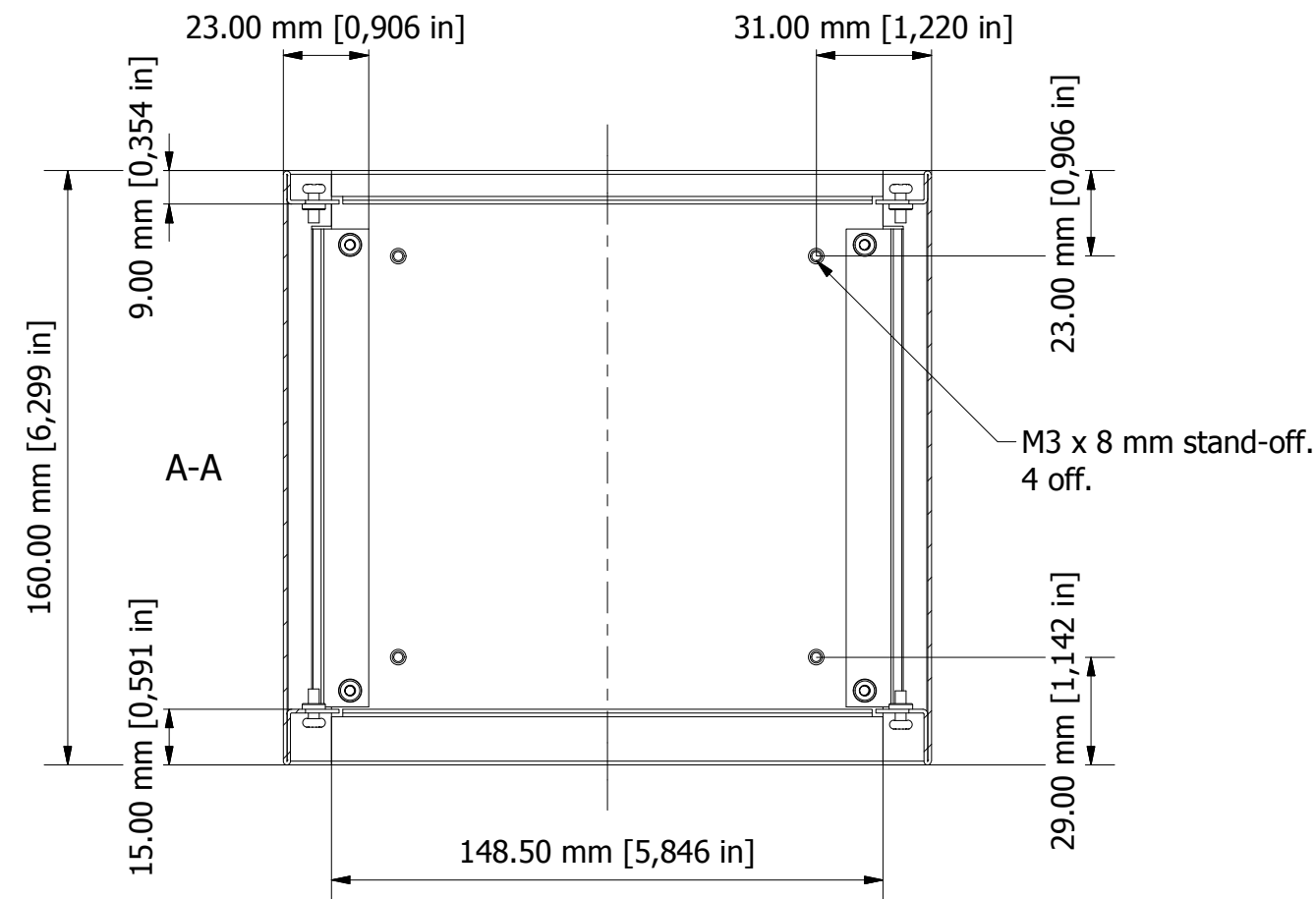


**Notes.**  
 Made from 1.5 mm aluminium.  
 Front/Rear panels are not included with the case, choose required type as an accessory. (M5100565 or M5100560)

PARTS LIST			
ITEM	QTY	PART NUMBER	DESCRIPTION
1	4	M3 x 6 mm CSK Screw	Base Panel Screws
2	8	M3 x 8 mm Pan Screw	Front/Rear Panel Screws
3	1	M5101005	Base Panel
4	1	M5109006	Top Cover

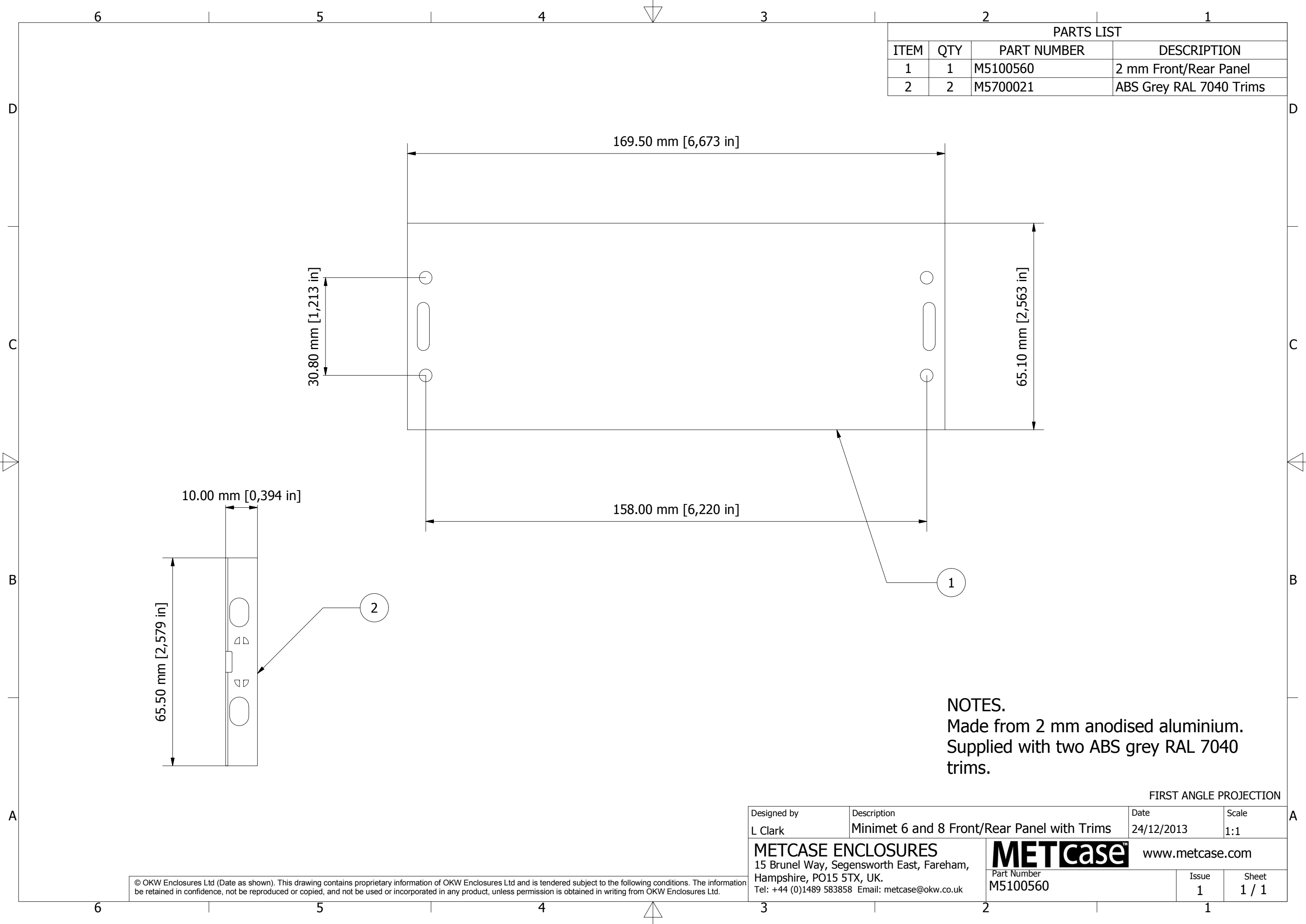


FIRST ANGLE PROJECTION

Designed by L Clark	Description Minimet 6	Date 16/12/2013	Scale 1:2
<b>METCASE ENCLOSURES</b> 15 Brunel Way, Segensworth East, Fareham, Hampshire, PO15 5TX, UK. Tel: +44 (0)1489 583858 Email: metcase@okw.co.uk		<b>METcase™</b> www.metcase.com Part Number <b>M5117125</b>	
		Issue <b>1</b>	Sheet <b>1 / 1</b>

© OKW Enclosures Ltd (Date as shown). This drawing contains proprietary information of OKW Enclosures Ltd and is tendered subject to the following conditions. The information be retained in confidence, not be reproduced or copied, and not be used or incorporated in any product, unless permission is obtained in writing from OKW Enclosures Ltd.

PARTS LIST			
ITEM	QTY	PART NUMBER	DESCRIPTION
1	1	M5100560	2 mm Front/Rear Panel
2	2	M5700021	ABS Grey RAL 7040 Trims

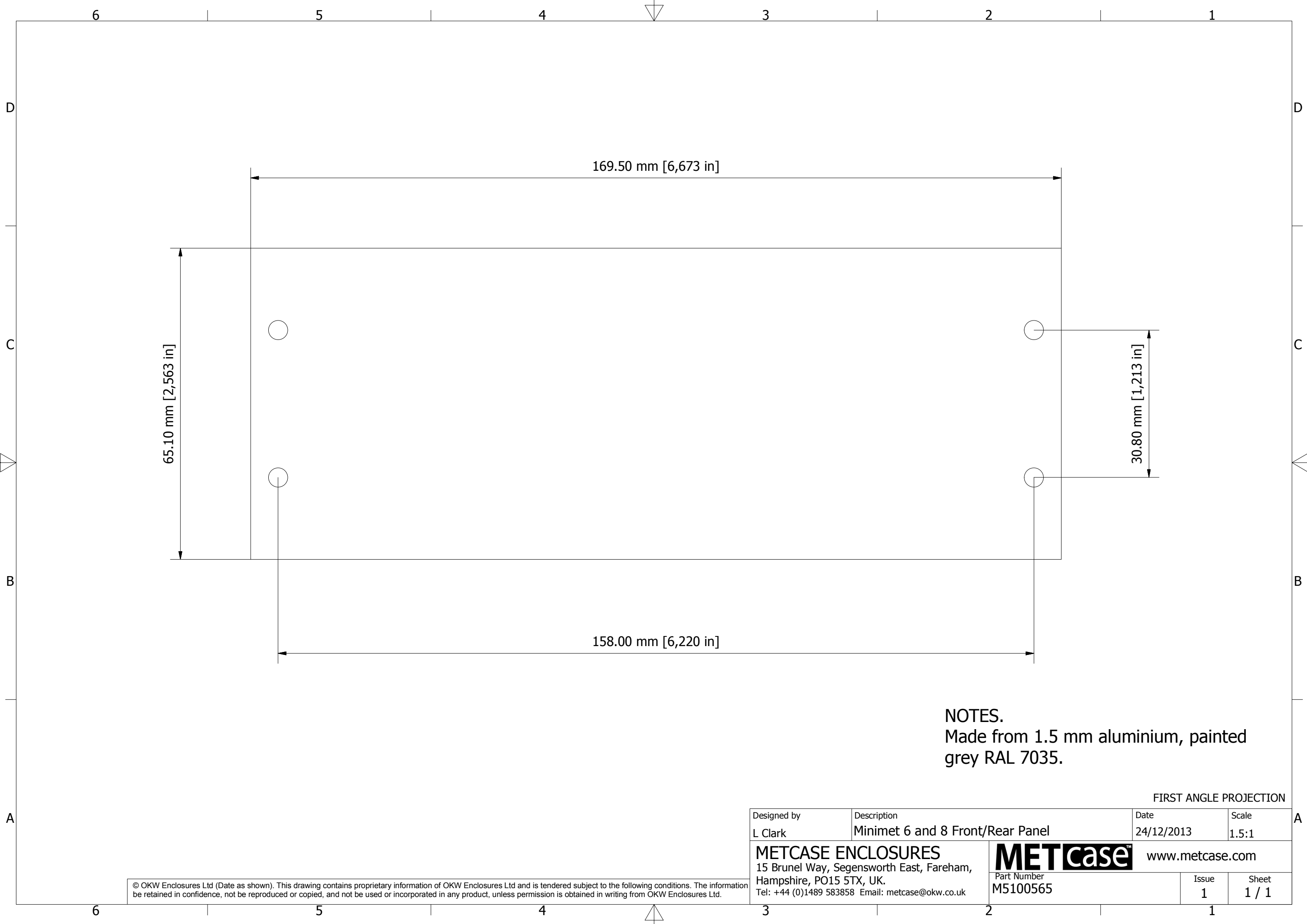


NOTES.  
 Made from 2 mm anodised aluminium.  
 Supplied with two ABS grey RAL 7040 trims.

FIRST ANGLE PROJECTION

Designed by L Clark	Description Minimet 6 and 8 Front/Rear Panel with Trims	Date 24/12/2013	Scale 1:1
<b>METCASE ENCLOSURES</b> 15 Brunel Way, Segensworth East, Fareham, Hampshire, PO15 5TX, UK. Tel: +44 (0)1489 583858 Email: metcase@okw.co.uk		<b>METcase™</b> <a href="http://www.metcase.com">www.metcase.com</a>	Part Number <b>M5100560</b>
		Issue <b>1</b>	Sheet <b>1 / 1</b>

© OKW Enclosures Ltd (Date as shown). This drawing contains proprietary information of OKW Enclosures Ltd and is tendered subject to the following conditions. The information be retained in confidence, not be reproduced or copied, and not be used or incorporated in any product, unless permission is obtained in writing from OKW Enclosures Ltd.



NOTES.  
 Made from 1.5 mm aluminium, painted  
 grey RAL 7035.

FIRST ANGLE PROJECTION

Designed by L Clark	Description Minimet 6 and 8 Front/Rear Panel	Date 24/12/2013	Scale 1.5:1
<b>METCASE ENCLOSURES</b> 15 Brunel Way, Segensworth East, Fareham, Hampshire, PO15 5TX, UK. Tel: +44 (0)1489 583858 Email: metcase@okw.co.uk		<b>METcase™</b> <a href="http://www.metcase.com">www.metcase.com</a>	Part Number <b>M5100565</b>
		Issue <b>1</b>	Sheet <b>1 / 1</b>

© OKW Enclosures Ltd (Date as shown). This drawing contains proprietary information of OKW Enclosures Ltd and is tendered subject to the following conditions. The information be retained in confidence, not be reproduced or copied, and not be used or incorporated in any product, unless permission is obtained in writing from OKW Enclosures Ltd.