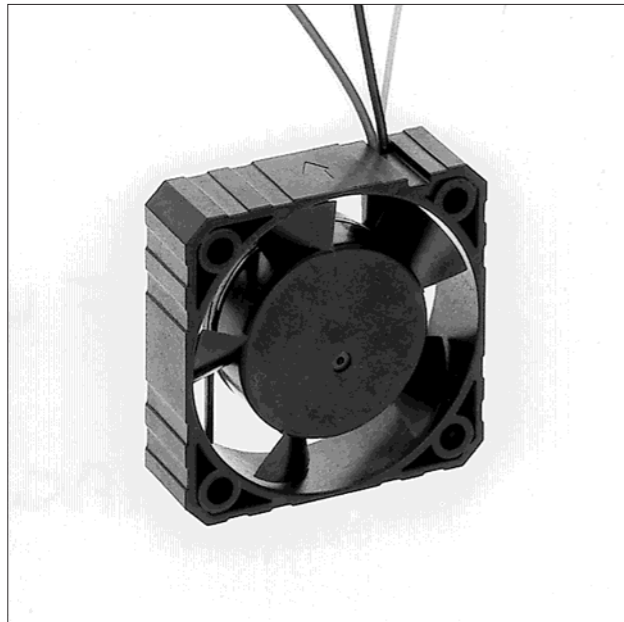


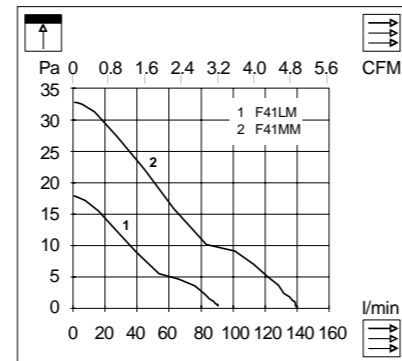


Ultra Slim Fans

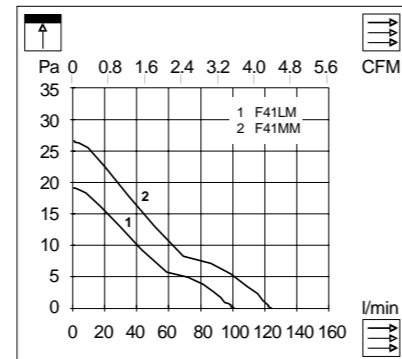
Long life / low noise



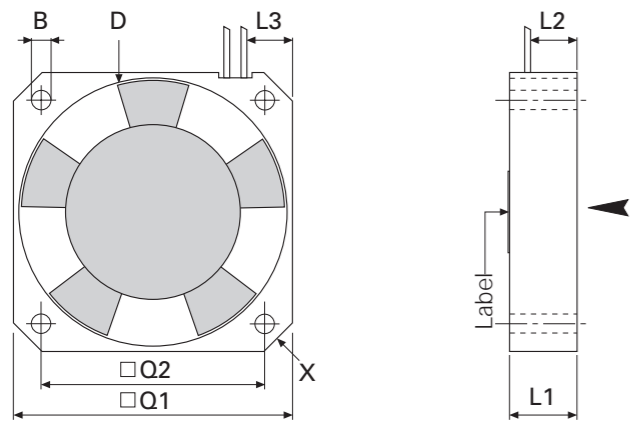
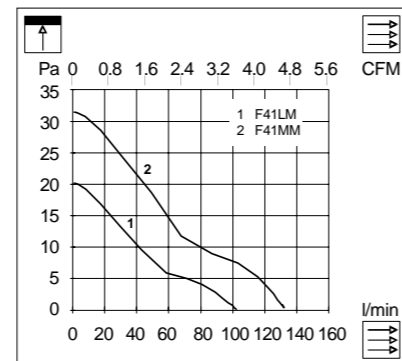
F41LM/MM 5 V DC



12 V DC



24 V DC



F41	mm	inch
B1 ø	3.5	0.138
D ø	39	1.535
L1	12 ^{+0.5} _{0.0}	0.472
L2	9	0.354
L3	8 ^{+0.3} _{0.0}	0.315
Q1 □	41	1.614
Q2 □	32±0.1	1.260
X	3 x 45°	0.118

F41

Technical data

Non-operating signal (NOS)

This signal is used for the operational control of the fan. On failure the signal level switches from "low" to "high". The signal can be used for optical, acoustical, or electronic alarm.

Slim Fan Program

25 x 25 mm-80 x 80 mm

		F41 LM / F41 MM		F41 LM / F41 MM		F41 LM / F41 MM	
		5		12		24	
U	U _N	V		5		12	
U	U	V		4.25-5.75	4.25-5.75	8.4-13.8	8.4-13.8
I	I _N	mA		89	113	42	63
I	I _{max}	mA		100	140	60	80
I	I _{block}	mA		130	160	60	80
P	P _N	W		0.445	0.565	0.504	0.756
rpm	n	min ⁻¹		4100	5400	4200	5000
V	ṽ	l/min		95	140	100	125
p	p	Pa		18	32	19	26
LpA	LpA	dB(A)		13	20	14	18
MTF	MTTF	hr		40000			
T	T	°C/°F		-20 ... +75 / -4 ... +167			
m	m	gr/oz.		20 / 0.8			
M	M	mm/inch		290 / 11.417 (AWG 26)			
PPO	PPO	UL-94V-1		•	•	•	•
Option	Option	•	•	•	•	•	•
Option/" NOS"	Option/" NOS"	•	•	•	•	•	•
Attachment	Attachment	•	•	•	•	•	•
Attachment	Attachment	•	•	•	•	•	•
Attachment	Attachment	•	•	•	•	•	•

Standards

- CE Conformity
- Coils to insulation class E
- Locked rotor protection
- Insulation resistance min. 10 MΩ at 500 V DC
- Dielectric strength max. 1 mA bei 600 V AC
- μ = 1,2 kg/m³
- Specialities

i Please ask

1 mbar = 10.197 mm H₂O = 100 Pa
 1 Pa = 10⁻² mbar = 0.10197 mm H₂O
 1 hPa = 1 mbar; 1mm H₂O = 0.04 inch H₂O
 1 l/min = 0.0353 CFM; 1 CFM = 28.3 l/min

Price 1-4 pcs. _____
 Price 5-24 pcs. _____
 Delivery ARO _____