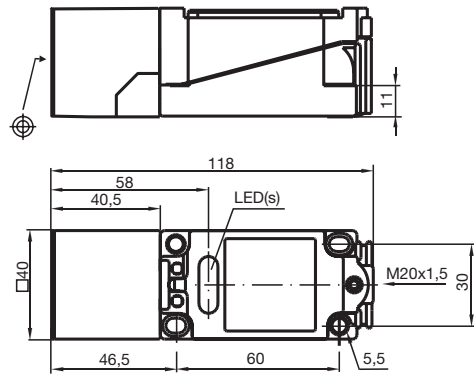
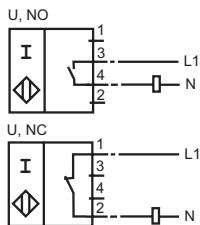


Comfort series  
20 mm not embeddable



Switching element function	AC/DC	Make/Break function
Rated operating distance $s_n$	20 mm	
Installation	not embeddable	
Assured operating distance $s_a$	0 ... 16,2 mm	
Reduction factor $r_{AI}$	0,37	
Reduction factor $r_{Cu}$	0,35	
Reduction factor $r_{V2A}$	0,79	
Operating voltage $U_B$	20 ... 253 V	
Operating voltage DC	20 ... 300 V	
Switching frequency $f$	0 ... 25 Hz	
Hysteresis $H$	typ. 3 %	
Short circuit protection	pulsing	
Voltage drop $U_d$	$\leq 4$ V	
Momentary current (20 ms, 0.1 Hz)	0 ... 3000 mA	
Operating current $I_L$	5 ... 500 mA	
Off-state current $I_r$	0 ... 2,5 mA typ. 1,5 mA	
Operating voltage display	LED, green	
Indication of the switching state	LED, yellow	
Standards	EN 60947-5-2	
Ambient temperature	-25 ... 70 °C (248 ... 343 K)	
Connection type	terminal compartment	
Core cross-section	up to 2.5 mm <sup>2</sup>	
Housing material	PBT	
Sensing face	PBT	
Protection degree	IP68	

**Connection\_type:**



086435\_ENG.xml

2003-05-28

www.pepperl-fuchs.com

PEPPERL+FUCHS GmbH