



CONTACTOR, AC-3 3 KW/400 V, 1 NO,
DC 24 V, 0.7...1.25*US, W. VARISTOR,
3-POLE, SIZE S00, SCREW CONNECTION

General technical data:

product brand name		SIRIUS
Size of contactor		S00
Protection class IP / on the front		IP20
Degree of pollution		3
Installation altitude / at height above sea level / maximum	m	2,000
Ambient temperature		
• during operation	°C	-25 ... +60
Mechanical service life (switching cycles)		
• of the contactor / typical		30,000,000

Main circuit:

Number of NC contacts / for main contacts		0
Number of NO contacts / for main contacts		3
Operating current		
• at AC-1 / up to 690 V		
• at ambient temperature 40 °C / Rated value	A	18
• at ambient temperature 60 °C / Rated value	A	16
• at AC-3 / at 400 V / Rated value	A	7
• at AC-4 / at 400 V / Rated value	A	6.5
Operating current		

<ul style="list-style-type: none"> • with 1 current path / at DC-1 <ul style="list-style-type: none"> • at 24 V / Rated value • at 110 V / Rated value • with 2 current paths in series / at DC-1 <ul style="list-style-type: none"> • at 24 V / Rated value • at 110 V / Rated value • with 3 current paths in series / at DC-1 <ul style="list-style-type: none"> • at 24 V / Rated value • at 110 V / Rated value 	A	15
	A	1.5
	A	15
	A	8.4
	A	15
	A	15
Operating current		
<ul style="list-style-type: none"> • with 1 current path / at DC-3 / at DC-5 <ul style="list-style-type: none"> • at 24 V / Rated value • at 110 V / Rated value • with 2 current paths in series / at DC-3 / at DC-5 <ul style="list-style-type: none"> • at 24 V / Rated value • at 110 V / Rated value • with 3 current paths in series / at DC-3 / at DC-5 <ul style="list-style-type: none"> • at 24 V / Rated value • at 110 V / Rated value 	A	15
	A	0.1
	A	15
	A	0.25
	A	15
	A	15
Operating power		
<ul style="list-style-type: none"> • at AC-1 <ul style="list-style-type: none"> • at 400 V / Rated value • at AC-2 <ul style="list-style-type: none"> • at 400 V / Rated value • at AC-3 <ul style="list-style-type: none"> • at 400 V / Rated value • at 500 V / Rated value • at 690 V / Rated value • at AC-4 <ul style="list-style-type: none"> • at 400 V / Rated value 	kW	11
	kW	3
	kW	3
	kW	3.5
	kW	4
	W	3,000
Active power loss / at AC-3 / at 400 V / for rated value of the operating current / per conductor	W	0.42

Control circuit/ Control:

Design of the surge suppressor		with varistor
Type of voltage / of the control supply voltage		DC
Control supply voltage		
<ul style="list-style-type: none"> • for DC / Rated value 	V	24
Operating range factor control supply voltage rated value / of the magnet coil		
<ul style="list-style-type: none"> • for DC 		0.7 ... 1.25

Closing power / of the magnet coil / for DC	W	2.3
Holding power / of the magnet coil / for DC	W	2.3

Auxiliary circuit:

Contact reliability / of the auxiliary contacts		1 faulty switching per 100 million (17 V, 1 mA)
Number of NC contacts / for auxiliary contacts / instantaneous contact		0
Number of NO contacts / for auxiliary contacts / instantaneous contact		1
Operating current		
• at AC-12 / maximum	A	10
• at AC-15		
• at 230 V / Rated value	A	6
• at 400 V / Rated value	A	3
Operating current / at DC-12		
• at 60 V / Rated value	A	6
• at 110 V / Rated value	A	3
• at 220 V / Rated value	A	1
Operating current / at DC-13		
• at 24 V / Rated value	A	10
• at 60 V / Rated value	A	2
• at 110 V / Rated value	A	1
• at 220 V / Rated value	A	0.3

Short-circuit:

Design of the fuse link		
• for short-circuit protection of the auxiliary switch / required		fuse gL/gG: 10 A
• for short-circuit protection of the main circuit		
• with type of assignment 1 / required		fuse gL/gG: 35 A
• with type of assignment 2 / required		fuse gL/gG: 20 A

Installation/ mounting/ dimensions:

Mounting type		screw and snap-on mounting onto 35 mm standard mounting rail according to DIN EN 50022
Mounting type / Side-by-side mounting		Yes
Width	mm	45
Height	mm	57.5
Depth	mm	72
Spacing required / for grounded parts	mm	6

Connections/ terminals:

Design of the electrical connection		
--	--	--

<ul style="list-style-type: none"> • for main current circuit • for auxiliary and control current circuit 	<p>screw-type terminals</p> <p>screw-type terminals</p>
Type of connectable conductor cross-section <ul style="list-style-type: none"> • for main contacts <ul style="list-style-type: none"> • solid • finely stranded <ul style="list-style-type: none"> • with core end processing • for AWG conductors / for main contacts • for auxiliary contacts <ul style="list-style-type: none"> • solid • finely stranded <ul style="list-style-type: none"> • with core end processing • for AWG conductors / for auxiliary contacts 	<p>2x (0.5 ... 1.5 mm²), 2x (0.75 ... 2.5 mm²), max. 2x (0.75 ... 4 mm²)</p> <p>2x (0.5 ... 1.5 mm²), 2x (0.75 ... 2.5 mm²)</p> <p>2x (20 ... 16), 2x (18 ... 14), 1x 12</p> <p>2x (0.5 ... 1.5 mm²), 2x (0.75 ... 2.5 mm²), max. 2x (0.75 ... 4 mm²)</p> <p>2x (0.5 ... 1.5 mm²), 2x (0.75 ... 2.5 mm²)</p> <p>2x (20 ... 16), 2x (18 ... 14), 1x 12</p>

Certificates/ approvals:

General Product Approval	Functional Safety / Safety of Machinery	Declaration of Conformity	Test Certificates
---------------------------------	--	----------------------------------	--------------------------



[Type Examination](#)



[Special Test Certificate](#)

Shipping Approval



Shipping Approval other



[Confirmation](#)

[other](#)

[Environmental Confirmations](#)

Further information:

Information- and Downloadcenter (Catalogs, Brochures,...)

<http://www.siemens.com/industrial-controls/catalogs>

Industry Mall (Online ordering system)

<http://www.siemens.com/industrymall>

Cax online generator

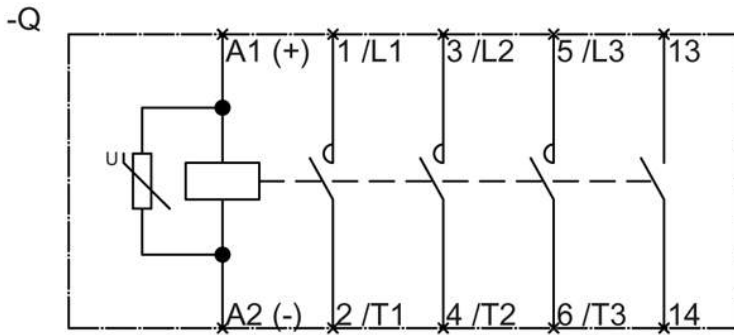
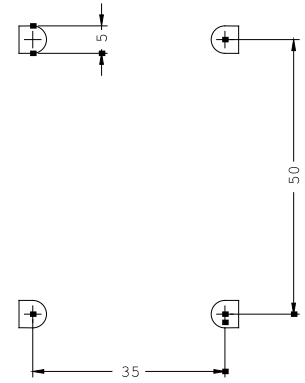
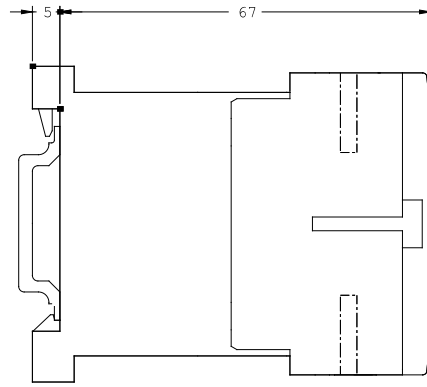
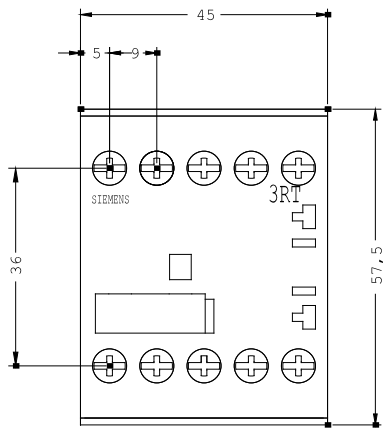
<http://www.siemens.com/cax>

Service&Support (Manuals, Certificates, Characteristics, FAQs,...)

<http://support.automation.siemens.com/WW/view/en/3RT1015-1KB41/all>

Image database (product images, 2D dimension drawings, 3D models, device circuit diagrams, ...)

http://www.automation.siemens.com/bilddb/cax_en.aspx?mlfb=3RT1015-1KB41



last change:

Dec 6, 2014