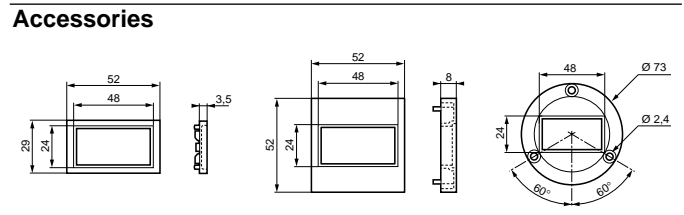
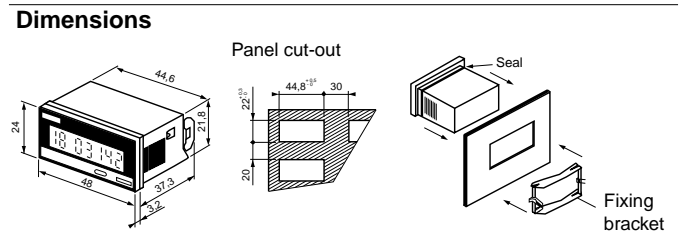
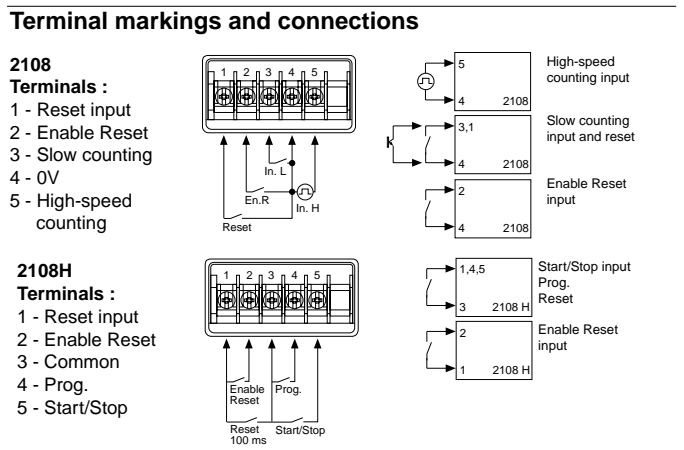
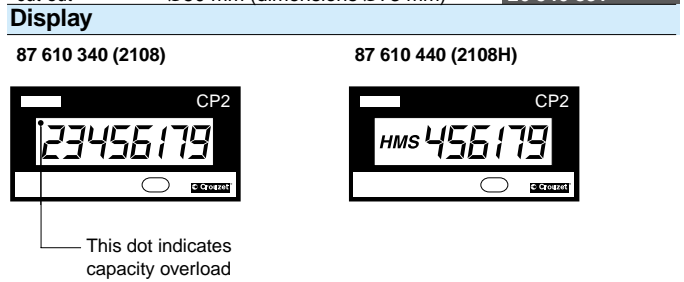


- 8 or 6-figure LCD display, height 7 mm
- Totalizer :
 - 7 kHz and 40 Hz inputs
 - Max. counting capacity 99,999,999 impulses
- Hour counter/chronometer :
 - Start/stop inputs
 - 4 time ranges : 99,999.9 hours - 99,999.9 min
99,999.9 s - 99 h 59 min 59 s
 - Lithium battery powered
 - Reset either from front panel or remotely



Operating characteristics		
Function	Impulse counter	Hour counter/chronometer
Solid state input	●	●
Display	8-digit LCD	6-digit LCD
Height of digits	7 mm	7 mm
Counting capacity	0 • 99,999,999	0 • 99,999.9 h 0 • 99,999.9 min 0 • 99,999.9 s 0 • 99 h 59 min 59 s
Time ranges		Quartz (precision ± 50 ppm)
Time base		●
Possibility of reloading current value		
Inputs		
Volt-free contact		1 Start/Stop input 40 ms min (terminals 3-5) 1 Reset input 100 ms min (terminals 1-3) 1 Prog input (terminals 3-4) 1 Authorised reset input (terminals 1-2)
Slow counting input : In.L	T OFF 12 ms min. T ON 12 ms min. Current output 52 µA max. Leakage current in OFF state 0.2 µA max. Residual voltage 0.4 V max. Volt-free contact or transistor ● NPN open collector ●	40 Hz max. 12 ms min. 12 ms min. 52 µA max. 0.2 µA max. 0.4 V max. ● ●
High-speed input : In.H	T OFF 70 µs min. T ON 70 µs min. Level 0 0 at 1 VDC Level 1 4 at 30 VDC Current consumption 6 mA max. at 24 VDC	7 kHz max. 70 µs min. 70 µs min. 0 at 1 VDC 4 at 30 VDC 6 mA max. at 24 VDC
Reset :	Volt-free contact or transistor ● NPN open collector 12 ms min.	● 100 ms min.
Reset via :	Front panel	Front panel
Electromagnetic environment		
Radiated field	IEC 1000-4-3, level 3, 10 V/M, 26 MHz to 1 GHz	
Fast transients	IEC 1000-4-4, level 3, 1 KV	
Damped oscillatory wave	IEC 255.4, level 3, 1 KV	
Electrostatic discharge	IEC 1000-4-2, level 3, 8 KV	
Operation and use		
Material	Self-extinguishing	Self-extinguishing
Connection via screw terminals on rear	5 terminals	5 terminals
Terminal capacity	2 x 1.5 mm ²	2 x 1.5 mm ²
Fixed using bracket	●	●
Front panel protection	IP 64	IP 64
Temperature limits	Use 0 + 55° C Stored - 25 + 70° C	0 + 55° C - 25 + 70° C
Conformity to standards	VDE 0110 - IEC 664 - IEC 348 - IEC 255.4 - IEC 255.5 - IEC 801.2 - IEC 801.4	
Weight	60 g	60 g
Power supply		
1 lithium battery - Service life	8 years	5 years

Types	2108	2108H
Part number		
Impulse counter	87 610 340	
Hour counter/chronometer		87 610 440
Accessories		
Adaptors	25x50 mm (dimensions 29x54 mm)	26 546 829
for	45x45 mm (dimensions 52x52 mm)	26 546 830
cut-out	Ø50 mm (dimensions Ø73 mm)	26 546 831



To order, specify :

Standard products	1 Part number Example : Impulse counter - 87 610 340	2 Accessory Adaptor 26 546 829
-------------------	---	-----------------------------------