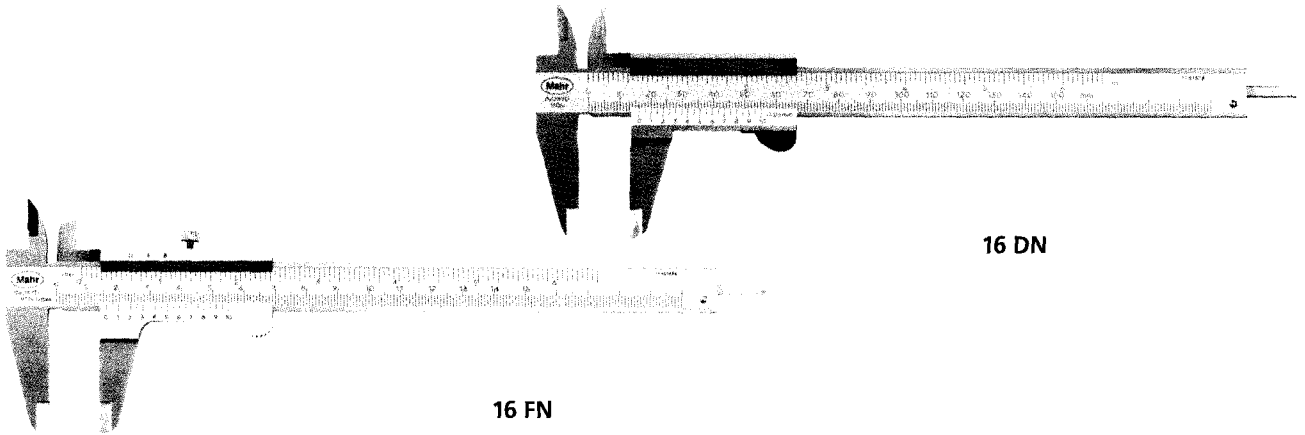


Vernier Calipers 16 N, 16 FN, 16 DN with scale reading

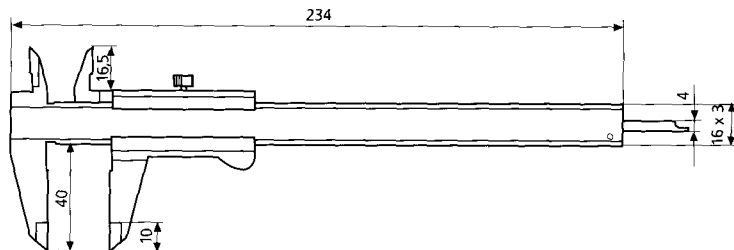


Features

- Vernier and main scale with satin-chrome finish for glare-free reading
- Slide and beam made of hardened stainless steel
- Raised sliding surfaces for protection of the scale
- Measuring blades for inside measurement
- Step measuring function
- Depth bar
- Locking screw resp. thumb clamp
- Standard accessories: Plastic case and thread schedule

Technical Data

	Measuring range mm (inch)	Readings mm / inch	Error limit (DIN 862) mm	Order no.	Remarks
16 N	150 (6")	0,05 / 1/128"	0,05	4100500	Locking screw below
16 FN	150 (6")	0,05 / 1/128"	0,05	4100400	Locking screw top
16 DN	150 (6")	0,05 / 1/128"	0,05	4100600	Thumb clamp



Accessories

Depth Measuring Bridge 16 Em
Leather case

Order no.
4102020
4100302

