

Pressure sensors

**PN5007**

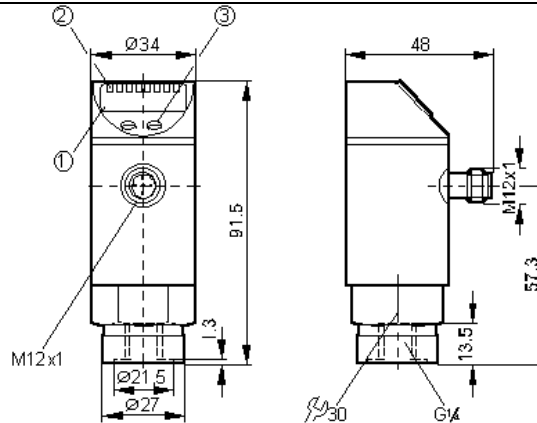
Electronic pressure monitor  
PN50  
G 1/4

Function programmable

1 switching output

4-digit alphanumeric display

Measuring range  
0...1000 mbar  
0...14.5 PSI  
0...100 kPa



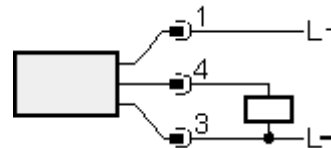
1: 4-digit alphanumeric display, 2: LED's, 3: Programming button

<b>Application</b>	<b>Type of pressure: relative pressure</b>		
	<b>Liquids and gases</b>		
<b>Electrical design</b>	<b>DC PNP</b>		
<b>Output</b>	<b>normally open / closed programmable</b>		
Operating voltage [V]	18...36 DC 1)		
Current rating [mA]	250		
Short-circuit protection	•		
Reverse polarity protection / Overload protection	up to 40 V		
Integrated Watchdog	•		
Voltage drop [V]	< 2		
Current consumption [mA]	< 50		
Permissible overl. pressure	10000 mbar	145 PSI	1000 kPa
Bursting pressure	30000 mbar	450 PSI	3000 kPa
<b>Setting range</b>			
Switch-on point, SP	10...1000 mbar	0.2...14.5 PSI	1.0...100.0 kPa
Switch-off point, rP	5...995 mbar	0.1...14.4 PSI	0.5...99.5 kPa
in steps of	5 mbar	0.1 PSI	0.5 kPa
Programming options	hysteresis / window function; N.O. / N.C; on delay, off delay; damping; display unit		
<b>Accuracy / deviations (in% of the span)</b>			
Accuracy of switch point			
Characteristics deviation *)			
Hysteresis	< ± 0.5		
Repeatability **)	< ± 0.5		
Long-time stability ***)	< ± 0.25		
Temperature coefficients	< ± 0.1		
(TEMPCO) in the temperature range -20...80 °C (in% of the span per 10 K)	< ± 0.05		
- greatest TEMPCO of the zero point	0.2		
- greatest TEMPCO of the span	0.2		
Power-on delay time [s]	0.3		
Switching frequency [Hz]	170...1		
Delay time programmable dS, dr [s]	0; 0.2...50		

**PN5007**

Display unit	mbar, PSI, kPa
Operating temperature [°C]	-20...80 (UB < 30V) / -20...60 (UB > 30V)
Medium temperature [°C]	-25...80
Storage temperature [°C]	-40...100
Protection	IP 65 (IEC 60529) / (UL50), III (EN 50178)
Insulation resistance [MΩ]	> 100 (500 V DC)
Shock resistance [g]	50 (DIN / IEC 68-2-27, 11ms)
Vibration resistance [g]	20 (DIN / IEC 68-2-6, 10 - 2000 Hz)
Switching cycles min.	100 million
EMC	EN 61000-4-2 ESD: 4 kV CD / 8 kV AD EN 61000-4-3 HF radiated: 10 V/m EN 61000-4-4 Burst: 2 kV EN 61000-4-5 Surge: 0.5 / 1 kV EN 61000-4-6 HF conducted: 10 V
Housing material	stainless steel (304S15) stainless steel (316S12) PC (Macrolon) Pocan PEI FPM (Viton) EPDM/X (Santoprene) PTFE
Materials (wetted parts)	stainless steel (303S22); ceramics; FPM (Viton)
Function display	yellow
Switching status LED	3 x green (display unit)
Operation LED	4-digit alphanumeric display
System pressure, function LED	
Connection	M12 connector, gold-plated contacts

Wiring



Remarks

1) to EN50178, SELV, PELV;  
referring to UL: "limited voltage" with overcurrent protection in accordance with UL508  
\*) linearity, incl. hysteresis and repeatability;  
(limit value setting to DIN 16086)  
\*\*) with temperature fluctuations < 10 K  
\*\*\*) in % of value of measuring range / 6 months