



ACTUATOR-/INDICATOR COMPONENT WITH INTEGRATED LED 230V AC LAMP HOLDER SCREW TERMINAL BLUE

Contact block / lampholder		
product designation		lampholder
Number of NC contacts / for auxiliary contacts		0
Number of NO contacts / for auxiliary contacts		0
Number of change-over switches / for auxiliary contacts		0
Product function / positive opening		No
Number of lampholders		1
Execution of the mounting		integrated
Nature of fluorescent material		LED
Color / of the fluorescent material		blue
Design of the electrical connection		screw-type terminals

General technical details:		
Degree of pollution		class 3
Design of the fuse link / for short-circuit protection of the auxiliary switch / with type of assignment 1 / required		gG / Dz 10 A
Type of voltage / of the supply voltage / of the fluorescent material		AC
Supply voltage / 1 / of the fluorescent material		
<ul style="list-style-type: none"> at 60 Hz / for AC / rated value 	V	230
<ul style="list-style-type: none"> at 50 Hz / for AC / rated value 	V	230

Type of voltage / of the operating voltage		AC
Item designation <ul style="list-style-type: none"> • according to DIN EN 61346-2 • according to DIN 40719 extendable after IEC 204-2 / according to IEC 750 		P H
Ambient temperature <ul style="list-style-type: none"> • during operating • during storage 	°C °C	-25 ... +70 -25 ... +80
protection class IP <ul style="list-style-type: none"> • of the terminal • of the housing 		IP20 IP40
Operating voltage / 1 / at 50 Hz / for AC / rated value	V	230
Operating voltage / 1 / at 60 Hz / for AC / rated value	V	230
Suitability for integration <ul style="list-style-type: none"> • pressure selection button • front element • suspension switch • suspension pushbutton 		front element Yes Yes Yes Yes
Insulation voltage / rated value	V	250
Impulse voltage resistance / rated value	kV	4
Tightening torque / for auxiliary contacts / with screw-type terminals	N·m	0.8
Product component <ul style="list-style-type: none"> • fluorescent materials • diode • lamp transformer • series resistance 		Yes Yes No No
Type of mounting		front mounting

Connections:

Type of the connectable conductor cross-section <ul style="list-style-type: none"> • for auxiliary contacts / solid • for auxiliary contacts / solid / with conductor end processing • for auxiliary contacts / finely stranded / with conductor end processing • for AWG conductors / for auxiliary contacts 		2x (1 ... 1.5 mm ²) 2x (0.5 ... 0.75 mm ²) 2x (0.5 ... 1.5 mm ²) 2x (18 ... 14)
---	--	--

Certificates/approvals:

General Product Approval



Test Certificates

[Special Test Certificate](#)

other

[Confirmation](#)



Further information:

Information- and Downloadcenter (Catalogs, Brochures,...)

<http://www.siemens.com/industrial-controls/catalogs>

Industry Mall (Online ordering system)

<http://www.siemens.com/industrial-controls/mall>

Cax online generator:

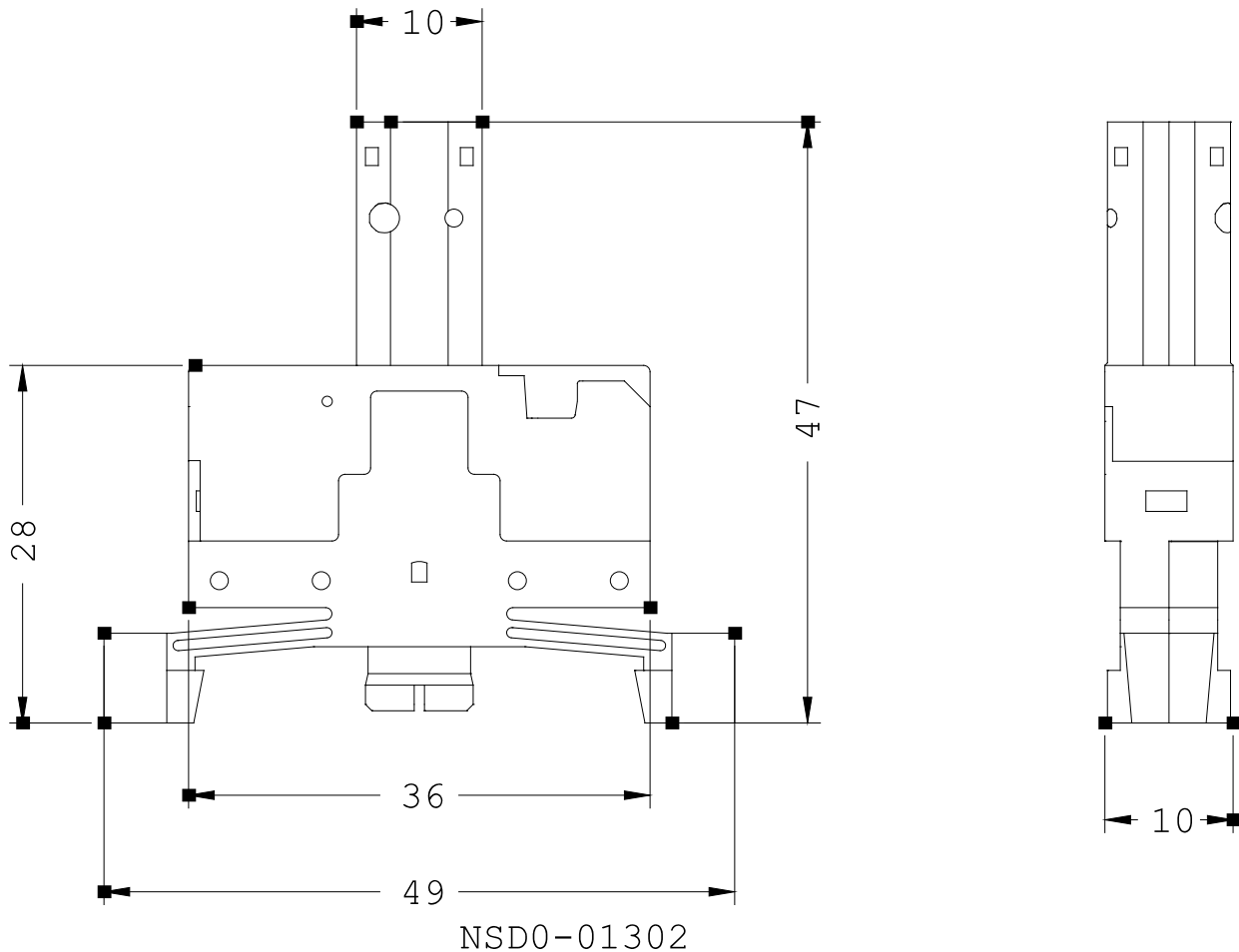
<http://www.siemens.com/cax>

Service&Support (Manuals, Certificates, Characteristics, FAQs,...)

<http://support.automation.siemens.com/WW/view/en/3SB3400-1RD/all>

Image database (product images, 2D dimension drawings, 3D models, device circuit diagrams, ...)

http://www.automation.siemens.com/bilddb/cax_en.aspx?mlfb=3SB3400-1RD



last change:

Apr 17, 2012