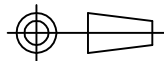


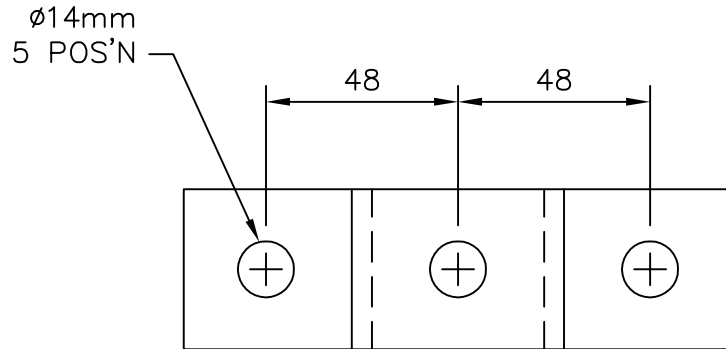
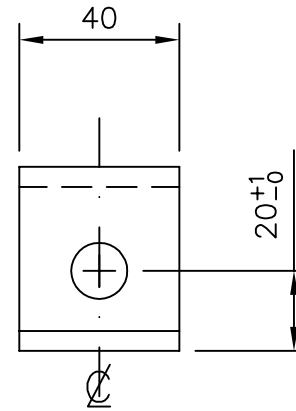
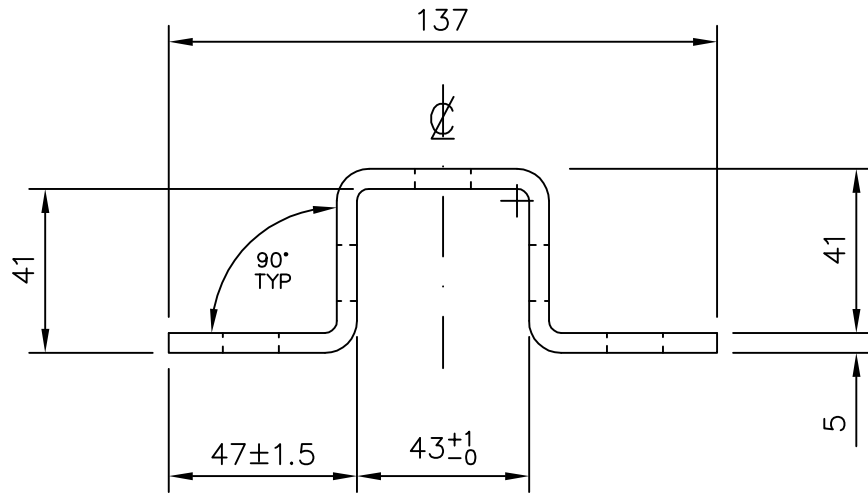
DO NOT SCALE  
REMOVE ALL BURRS AND SHARP EDGES

1st ANGLE  
PROJECTION



UNLESS NOTED OTHERWISE, ALL DIMENSIONS  
ARE IN MILLIMETRES

THIS DESIGN IS COPYRIGHT AND THE DRAWING IS THE  
PROPERTY OF UNISTRUT LIMITED AND IS TO BE USED  
BETWEEN CLIENTS AND THEMSELVES ONLY.



NOTES:

--	--	--

REV & DATE	DESCRIPTION	CHK'D & DATE

**tyco** / TYCO ELECTRICAL & METAL PRODUCTS / **Unistrut**

Delta Point, Greets Green Road,  
West Midlands, B70 9PL  
Tel: 0121 580 6300  
Fax: 0121 580 6366

FM 825 - BS EN ISO 9001



<b>TOLERANCES U.N.O.</b> DIMS. ± 1mm ANGLES ± 0.5°	DRAWN/DATE:	CHECKED/DATE:	SCALE: 1:2 @ A4	TITLE: 5 HOLE 'U' BRACKET	
	DISK No:			PART No: P1047	REV.