

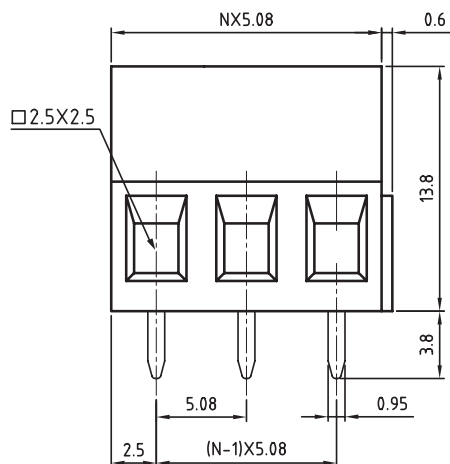
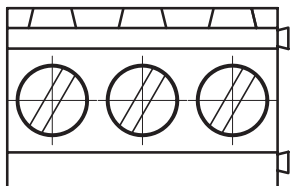
1

2

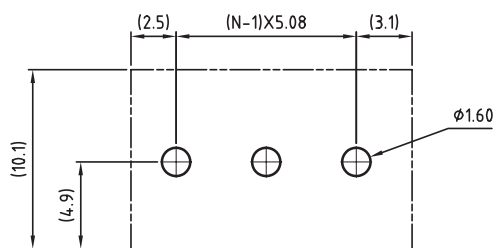
3

4

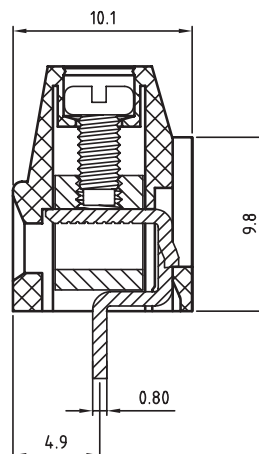
5



N=Number of contacts



PCB LAYOUT - COMPONENT VIEW



## TECHNICAL CHARACTERISTICS

MATERIAL  
 INSULATOR: PA 66  
 FLAMABILITY RATING: UL94-V0  
 COLOR: GREEN  
 METAL HOUSING: BRASS (CuZn)  
 TERMINAL SCREW SLOT TYPE: "-"  
 CONTACT: BRASS  
 SOLDER TAIL PLATING: TIN

ENVIRONMENTAL  
 OPERATING TEMPERATURE: -40 UP TO 105°C  
 COMPLIANCE: LEAD FREE AND ROHS

ELECTRICAL  
 CURRENT RATING: 10A  
 WORKING VOLTAGE: 300VAC  
 WITHSTANDING VOLTAGE: 1.6KV  
 CONTACT RESISTANCE: 20 mOhm max

MECHANICAL  
 SOLID WIRE: 24-12AWG / 0.20-3.5MM<sup>2</sup>  
 STRANDED WIRE: 24-12AWG / 0.20-3.5MM<sup>2</sup>  
 TORQUE: □ □ 3.5Lb-In / 0.4Nm

WIRE STRIPE LENGTH: 6-7MM  
 SCREW: M2.5  
 PITCH: 5.08MM

SOLDERING: WAVE PROCESS ONLY

PACKAGING: BOX

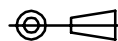
SERIE 2165

CERTIFICATION



RoHS Compliant

PROJECTION:



GENERAL TOLERANCE

.X = +/- 0.2

.XX = +/- 0.15



APPROVAL: RJ

UNIT: MM

SCALE:

SHEET: 1/1

DRAW: MARVIN

DESCRIPTION: SERIE 2165 - 5.08MM HORIZONTAL ENTRY MODULAR WITH RISING CAGE CLAMP - 3.5MM<sup>2</sup> WIRES WR-TBL

WERI PART NO: 691 216 510 0xx

SIZE

A4

G			
F			
E			
D			
C			
B			
A	30-OCT-08	PDF	JP
REV	DATE	FILE	BY