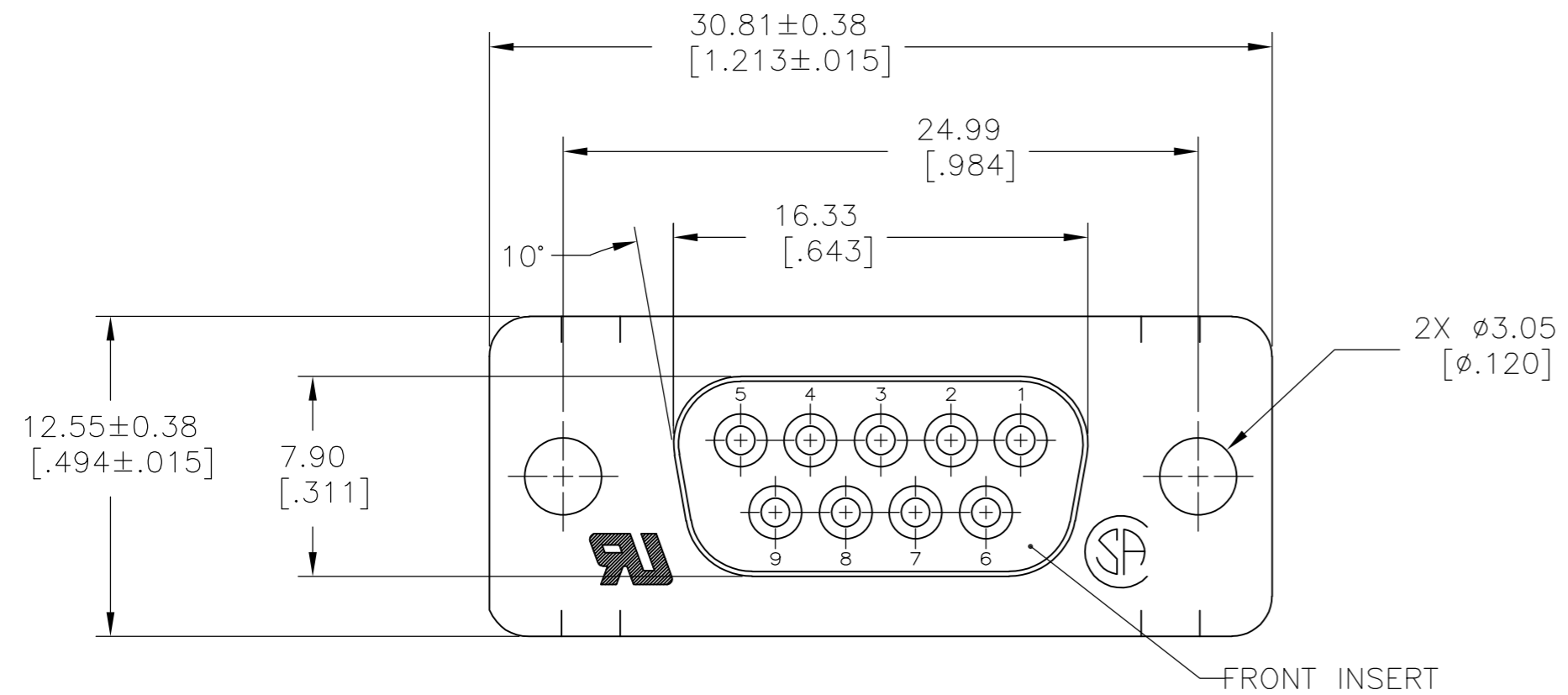
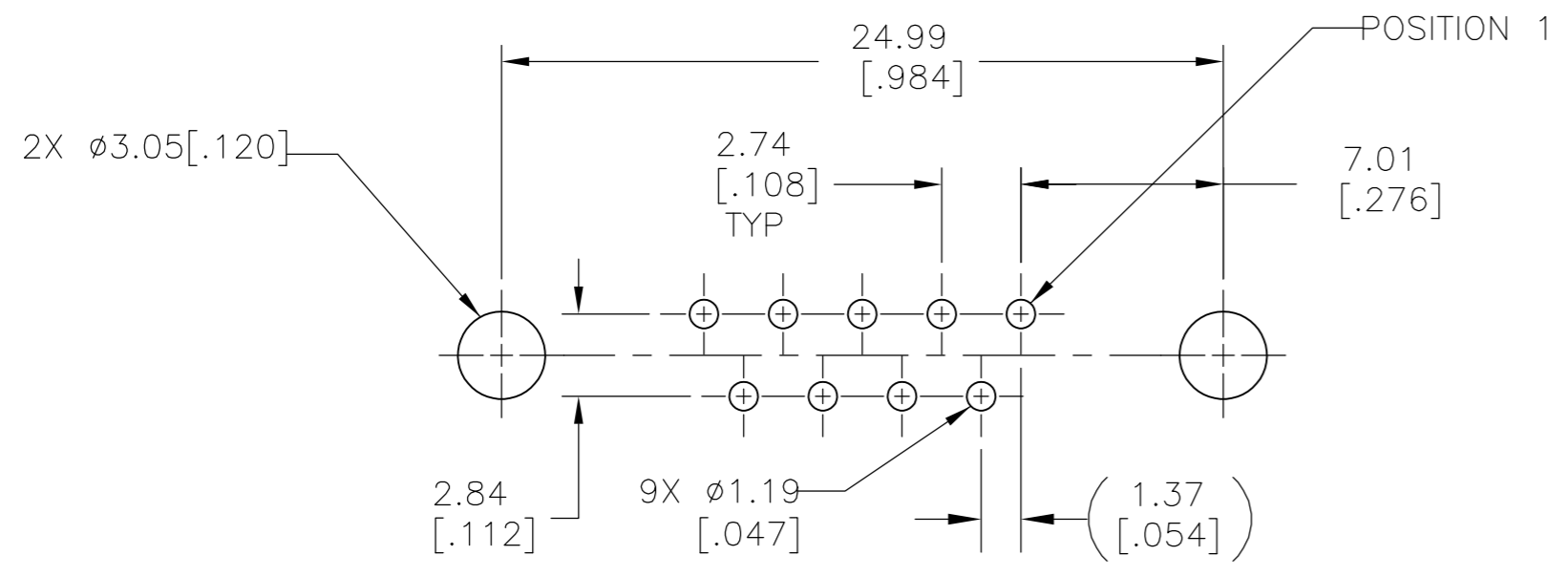
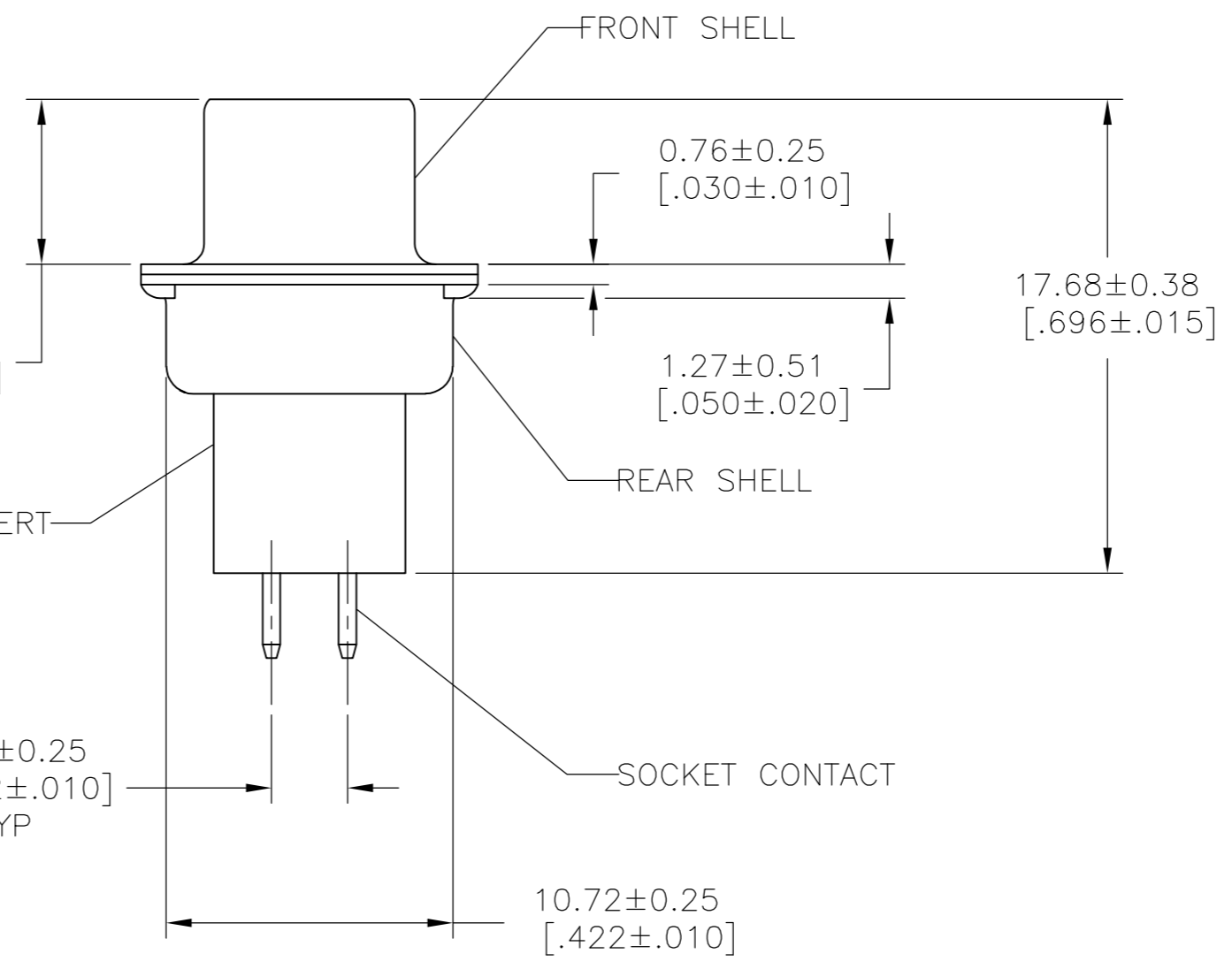
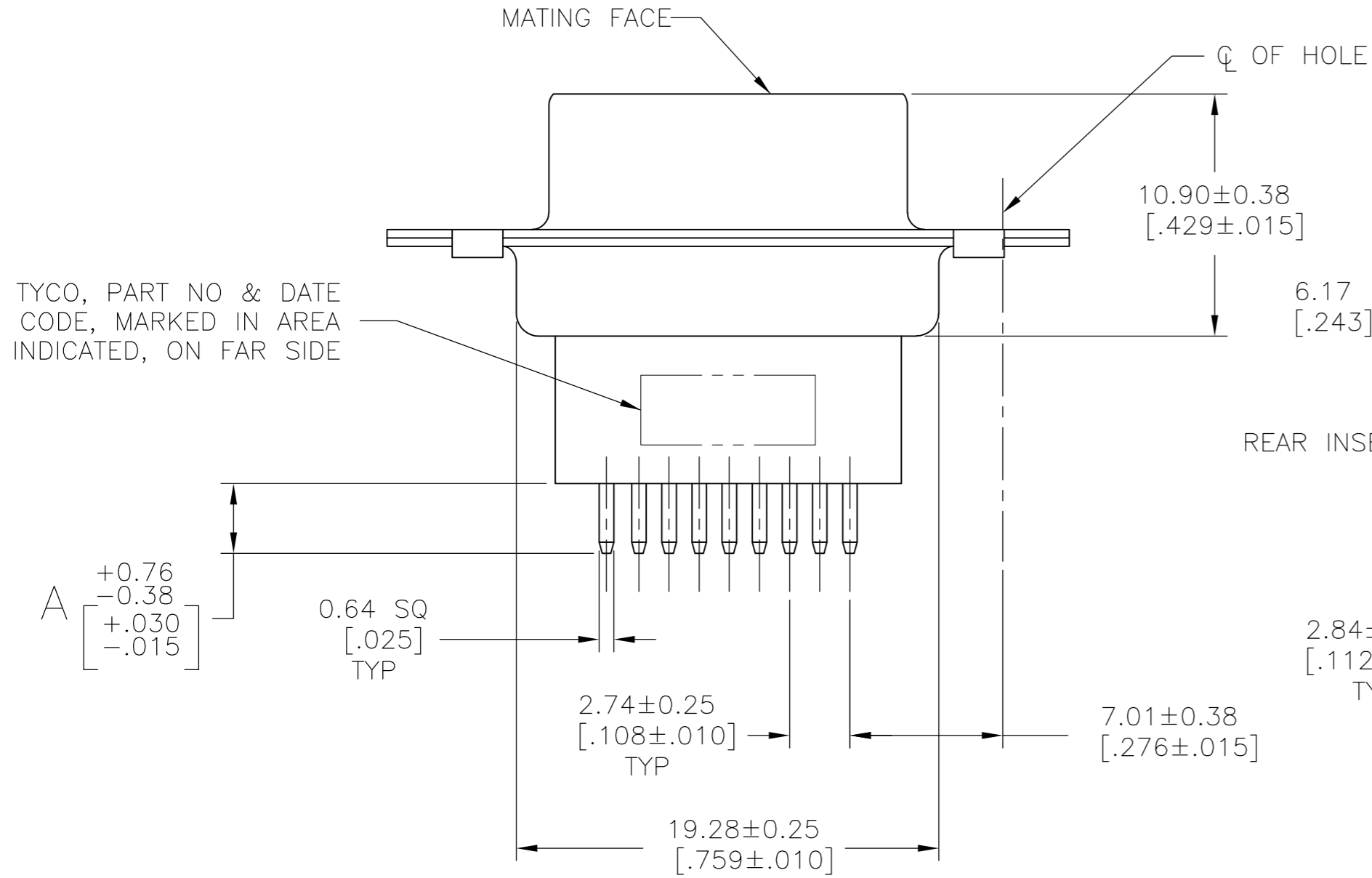


THIS DRAWING IS UNPUBLISHED. RELEASED FOR PUBLICATION  
 © COPYRIGHT 2005 By - ALL RIGHTS RESERVED.

LOC		DIST		REVISIONS			
P	LTR	DESCRIPTION		DATE	DWN	APVD	
GP	00	C1	REVISED PER ECO-11-004835	11MAR11	RK	HMR	



- ⚠ MOLDED PARTS: GLASS-FILLED NYLON, UL 94V-0 RATED, COLOR BLACK.  
SHELLS: CARBON STEEL  
CONTACTS: PHOS BRONZE
- ⚠ SHELLS: 5.08µm [.000200] MIN TIN OVER 2.54µm [.000100] MIN COPPER.  
CONTACTS: SEE TABLE
- ⚠ 0.76µm [.000030] MIN GOLD ON MATING END, 2.54µm [.000100] MIN TIN ON SOLDER END, BOTH OVER 1.27µm [.000050] MIN NICKEL  
-OR-  
GOLD FLASH OVER PALLADIUM-NICKEL, 0.76µm [.000030] MIN TOTAL ON MATING END, 2.54µm [.000100] MIN TIN ON SOLDER END, BOTH OVER 1.27µm [.000050] MIN NICKEL.
- ⚠ GOLD FLASH ON SOLDER END, 2.54µm [.000100] MIN TIN ON SOLDER END, BOTH OVER 1.27µm [.000050] MIN NICKEL.



P.C. BOARD MOUNTING DIMENSIONS

⚠	4.78 [.188]	5745183-7
⚠	10.85 [.427]	5745183-3
⚠	3.18 [.125]	5745183-2
⚠	3.18 [.125]	5745183-1
GOLD FINISH	A	PART NUMBER

THIS DRAWING IS A CONTROLLED DOCUMENT.		DWN B. LATTUCA 07SEPT05		NAME	
DIMENSIONS: mm [INCHES]		CHK S. BOLASH 07SEPT05		RECEPTACLE ASSY, SIZE 1, 9 POS, VERTICAL, AMPLIMITE HDP	
TOLERANCES UNLESS OTHERWISE SPECIFIED:		APVD M. WALMSLEY 07SEPT05		PRODUCT SPEC	108-40025
0 PLC ± -		APPLICATION SPEC		114-40013	SIZE A2
1 PLC ± -		WEIGHT -	CAGE CODE 00779	DRAWING NO C=5745183	
2 PLC ± 0.13 [.005]		CUSTOMER DRAWING	SCALE NTS	SHEET 1 OF 1	
3 PLC ± -				REV C1	
4 PLC ± -					
ANGLES ± 2°					
MATERIAL 1	FINISH 2				